

Dell PowerEdge
M1000e, M915, M910, M905,
M805, M710HD, M710, M610x,
M610, M605, and M600

Getting Started With Your System

Začínáme se systémem

Guide de mise en route

Erste Schritte mit dem System

Τα πρώτα βήματα με το σύστημά σας

Rozpoczęcie pracy z systemem

Начало работы с системой

Procedimientos iniciales con el sistema

Sisteminizi Kullanmaya Başlarken

תחילת העבודה עם המערכת



Dell PowerEdge
M1000e, M915, M910, M905,
M805, M710HD, M710, M610x,
M610, M605, and M600

Getting Started With Your System

Model BMX01, HHB Series, FHB Series



Notes, Cautions, and Warnings



NOTE: A NOTE indicates important information that helps you make better use of your computer.



CAUTION: A CAUTION indicates potential damage to hardware or loss of data if instructions are not followed.



WARNING: A WARNING indicates a potential for property damage, personal injury, or death.

Information in this publication is subject to change without notice.

© 2010 Dell Inc. All rights reserved.

Reproduction of these materials in any manner whatsoever without the written permission of Dell Inc. is strictly forbidden.

Trademarks used in this text: Dell™, the DELL logo, and PowerEdge™ are trademarks of Dell Inc. Citrix™ and XenServer® are either registered trademarks or trademarks of Citrix Systems, Inc. and/or one or more of its subsidiaries, and may be registered in the United States Patent and Trademark Office and in other countries. Intel® is a registered trademark of Intel Corporation in the U.S. and other countries. Microsoft®, Windows®, and Windows Server® are either trademarks or registered trademarks of Microsoft Corporation in the United States and/or other countries. Red Hat® and Red Hat Enterprise Linux® are registered trademarks of Red Hat Inc. in the United States and other countries. SUSE® is a registered trademark of Novell, Inc., in the United States and other countries. VMware® is a registered trademark or trademark (the "Marks") of VMware, Inc. in the United States and/or other jurisdictions. Solaris™ is a trademark of Sun Microsystems, Inc. in the United States and other countries.

Other trademarks and trade names may be used in this publication to refer to either the entities claiming the marks and names or their products. Dell Inc. disclaims any proprietary interest in trademarks and trade names other than its own.

Model BMX01, HHB Series, FHB Series

December 2010

P/N YCFM1

Rev. A00

Installation and Configuration

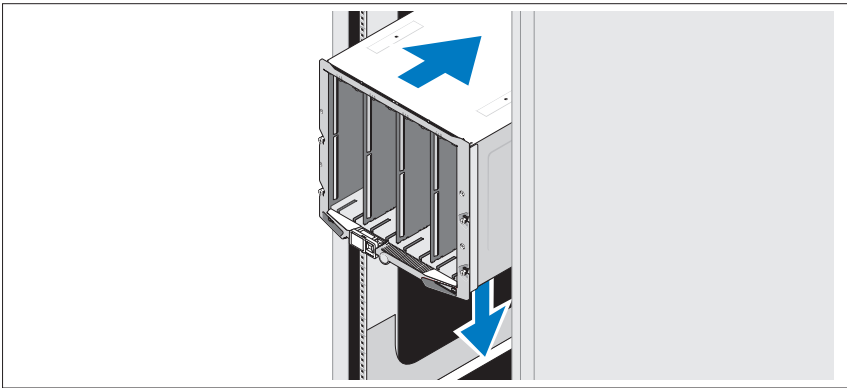
⚠ WARNING: Before performing the following procedure, review the safety instructions that came with the system.

This section describes the steps required to set up your system for the first time.

Unpack the System

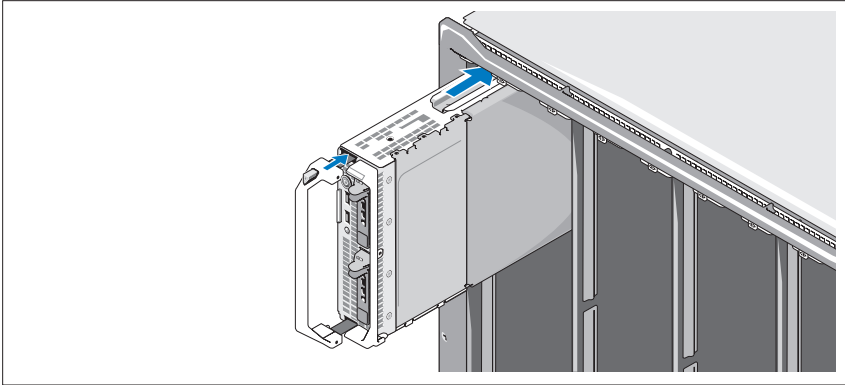
Unpack your system and identify each item.

Installing the Rails and System in a Rack



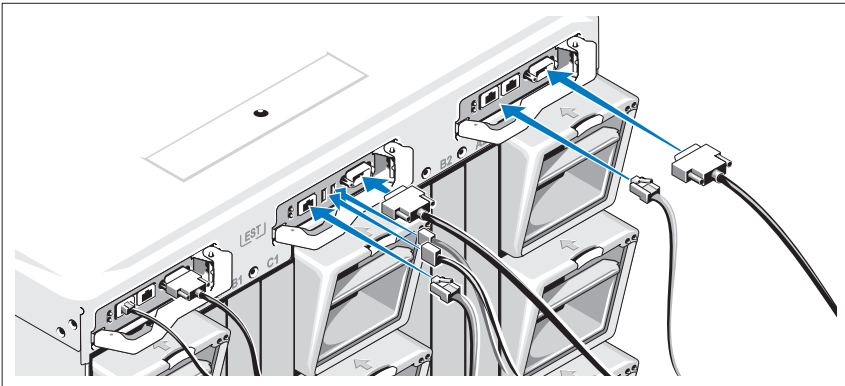
Assemble the rails and install the system in the rack following the safety instructions and the rack installation instructions provided with your enclosure.

Installing the Blades



Beginning at the top, slide the modules into the enclosure from left to right. When the blade is securely installed, the handle returns to the closed position.

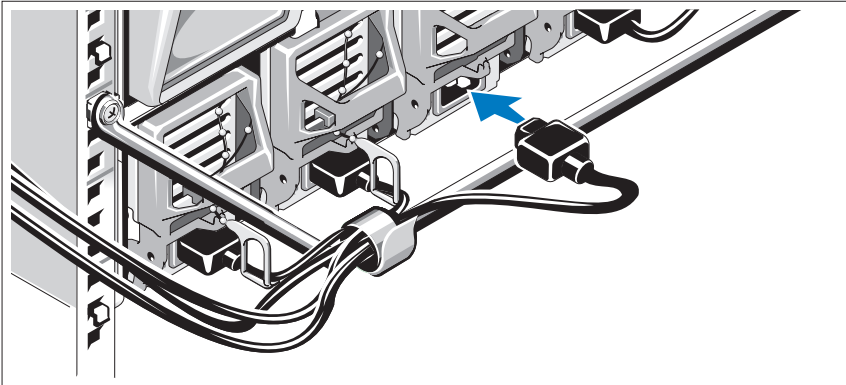
Connecting the CMC and KVM Modules



Connect the serial cable and network cable(s) from the management system to the CMC module. If a second, optional CMC module is installed, connect it as well.

Connect the keyboard, mouse, and monitor to the optional iKVM module.

Connecting the System to Power



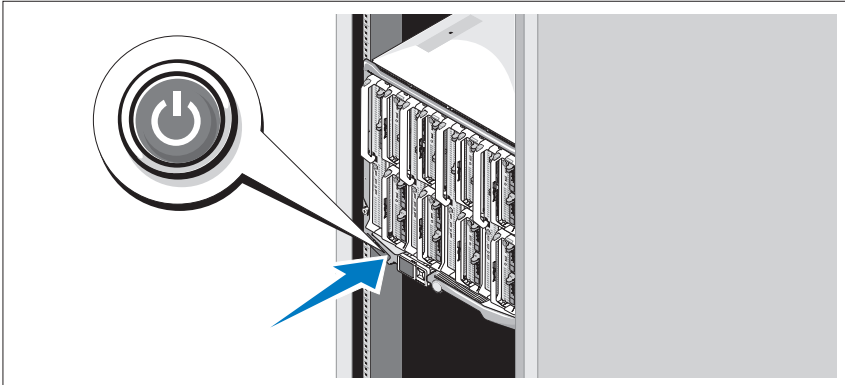
Connect the system's power cables to the system power supplies.

- △ **CAUTION:** To prevent the power cables from being disconnected accidentally, use the plastic clip on each power supply to secure the power cable to the power supply, and use the Velcro strap to secure the cable to the strain-relief bar.


Plug the other end of the power cables into a power distribution unit (PDU).

- △ **CAUTION:** Do not plug the power cables directly into a power outlet; you must use a PDU. For optimal system functionality, a minimum of three power supplies are required.

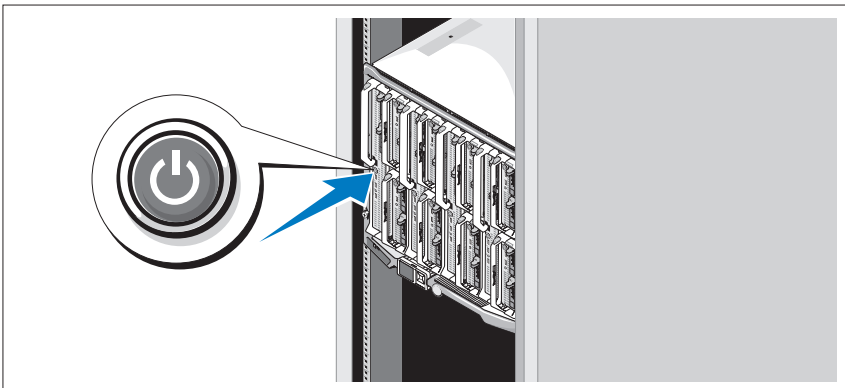
Turning On the System



Press the power button on the enclosure. The power indicator should light.

 **NOTE:** Once you have connected the system to the power supplies, there may be a minimal delay before you can turn on your system.

Turning On the Blades



Press the power button on each blade, or power on the blades using the systems management software.

Complete the Operating System Setup

If you purchased a preinstalled operating system, see the operating system documentation that ships with your system. To install an operating system for the first time, see the installation and configuration documentation for your operating system. Be sure the operating system is installed before installing hardware or software not purchased with the system.

Supported Operating Systems

| Operating System | M915 | M910 | M905 | M805 | M710 | M710HD | M610 | M610x | M605 |
|--|------|------|------|------|------|--------|------|-------|------|
| Citrix XenServer 5.5 | | | ✓ | ✓ | ✓ | | ✓ | | ✓ |
| Citrix XenServer 5.6 | ✓ | ✓ | ✓ | ✓ | ✓ | ✓ | ✓ | ✓ | ✓ |
| Microsoft Windows Server 2008 Hyper-V Server | ✓ | ✓ | | | | ✓ | | | |
| Microsoft Windows Essential Business Server 2008 Standard and Premium Editions | | ✓ | | | | ✓ | | ✓ | |
| Microsoft Windows HPC Server 2008 (x64) | ✓ | ✓ | | | | | | ✓ | |
| Microsoft Windows Server 2008 Standard and Enterprise (x86) Editions | | ✓ | | | ✓ | ✓ | ✓ | ✓ | |
| Microsoft Windows Web Server 2008 (x86) Edition | | ✓ | | | ✓ | ✓ | ✓ | | |
| Microsoft Windows Web Server 2008 (x86) Edition with SP2 | | ✓ | | | | | | | |

| Operating System | M915 | M910 | M905 | M805 | M710 | M710HD | M610 | M610x | M605 |
|---|-------------|-------------|-------------|-------------|-------------|---------------|-------------|--------------|-------------|
| Microsoft Windows Server 2008 Standard and Enterprise (x86) Editions with SP2 | | ✓ | | | | ✓ | | ✓ | |
| Microsoft Windows Server 2008 Standard, Enterprise, and Datacenter (x64) Editions | | ✓ | ✓ | ✓ | ✓ | | ✓ | ✓ | |
| Microsoft Windows Web Server 2008 (x64) Edition | | ✓ | | | ✓ | | ✓ | ✓ | |
| Microsoft Windows Web Server 2008 (x64) Edition with SP2 | ✓ | ✓ | | | | ✓ | | ✓ | |
| Microsoft Windows Server 2008 R2 Standard, Enterprise, and Datacenter (x64) Editions | ✓ | ✓ | | | | ✓ | | ✓ | |
| Microsoft Windows Server 2003 Standard and Enterprise Editions | | | | | | | | | ✓ |
| Microsoft Windows Server 2003 Web Edition | | ✓ | | | | | | ✓ | ✓ |
| Microsoft Windows Server 2003 Standard, Enterprise, and Web Editions with SP1 and later | | | | | | | | | ✓ |
| Microsoft Windows Server 2003 R2 Standard and Enterprise (x86) Editions | | ✓ | ✓ | ✓ | ✓ | | ✓ | ✓ | ✓ |

| Operating System | M915 | M910 | M905 | M805 | M710 | M710HD | M610 | M610x | M605 |
|---|-------------|-------------|-------------|-------------|-------------|---------------|-------------|--------------|-------------|
| Microsoft Windows Server 2003 Standard and Enterprise (x64) Editions | | | | | | | | | ✓ |
| Microsoft Windows Server 2003 R2 Standard and Enterprise (x64) Editions | | | ✓ | ✓ | ✓ | | ✓ | ✓ | ✓ |
| Microsoft Windows Server 2003 R2 Datacenter (x64) Edition | | | | | ✓ | | ✓ | ✓ | |
| Microsoft Windows Server 2003 R2 Standard, Enterprise, and Datacenter (x64) Editions with SP2 | | ✓ | | | | | | | |
| Red Hat Enterprise Linux AS, ES, and WS (version 4.0) Update 5 (x86) | | | ✓ | ✓ | | | | | ✓ |
| Red Hat Enterprise Linux AS, ES, and WS (version 4.0) Update 5 (x86_64) | | | ✓ | ✓ | | | | | ✓ |
| Red Hat Enterprise Linux AS and ES (version 4.7) (x86) | | | | | ✓ | | ✓ | | |
| Red Hat Enterprise Linux AS and ES (version 4.7) (x86_64) | | | | | ✓ | | ✓ | | |
| Red Hat Enterprise Linux AS and ES (version 4.8) (x86) | | | | | | ✓ | | ✓ | |

| Operating System | M915 | M910 | M905 | M805 | M710 | M710HD | M610 | M610x | M605 |
|---|------|------|------|------|------|--------|------|-------|------|
| Red Hat Enterprise Linux AS and ES (version 4.8) (x86_64) | | | | | | ✓ | | ✓ | |
| Red Hat Enterprise Linux (version 5.0) (x86) | | | ✓ | ✓ | | ✓ | | | ✓ |
| Red Hat Enterprise Linux (version 5.0) (x86_64) | | | ✓ | ✓ | ✓ | ✓ | | | ✓ |
| Red Hat Enterprise Linux (version 5.2) (x86) | | | | | ✓ | | | | |
| Red Hat Enterprise Linux (version 5.5) (x86) | ✓ | | | | | ✓ | | ✓ | |
| Red Hat Enterprise Linux (version 5.5) (x86_64) | ✓ | | | | | ✓ | | ✓ | |
| Red Hat Enterprise Linux (version 6.0) (x86_64) | ✓ | | | | | | | | |
| SUSE Linux Enterprise Server 10 (x86_64) | | | ✓ | ✓ | ✓ | | | | ✓ |
| SUSE Linux Enterprise Server 10 (x86_64) SP3 | ✓ | ✓ | | | | ✓ | | ✓ | |
| SUSE Linux Enterprise Server 11 (x86_64) | ✓ | ✓ | | | | ✓ | | ✓ | |
| Solaris 10 (x86_64) | | ✓ | ✓ | ✓ | ✓ | ✓ | ✓ | | ✓ |
| VMware ESX version 3.0 | | | ✓ | ✓ | ✓ | | ✓ | | |
| VMware ESX version 3.0.2 Update 1 | | | | | | | | | ✓ |
| VMware ESX version 3.5 | | | ✓ | ✓ | ✓ | | ✓ | | |

| Operating System | M915 | M910 | M905 | M805 | M710 | M710HD | M610 | M610x | M605 |
|-------------------------------------|------|------|------|------|------|--------|------|-------|------|
| VMware ESX version 4.0 Update 1 | | ✓ | | | | ✓ | | ✓ | |
| VMware ESXi version 4.0 Update 1 | | ✓ | | | | ✓ | | ✓ | |
| VMware ESX version 4.0 Update 2 | ✓ | | | | | | | | |
| VMware ESXi version 4.0 Update 2 | ✓ | | | | | | | | |
| VMware ESX version 4.1 Update 1 | ✓ | | | | | | | | |
| VMware ESXi version 4.1 Update 1 | ✓ | | | | | | | | |

✓—Supported



NOTE: For the latest information on supported operating systems for all PowerEdge systems, see dell.com/ossupport.

Other Information You May Need



WARNING: Before performing the following procedure, review the safety instructions that came with the system.

- The *Configuration Guide* provides information on configuring the system enclosure and the blades.
- *Rack Installation Instructions* included with your rack solution describes how to install your system into a rack.
- The *Hardware Owner's Manual* provides information about system features and describes how to troubleshoot the system and install or replace system components.
- Dell systems management application documentation provides information about installing and using the systems management software.



NOTE: Always check for updates on support.dell.com/manuals and read the updates first because they often supersede information in other documents.

Obtaining Technical Assistance

If you do not understand a procedure in this guide or if the system does not perform as expected, see your *Hardware Owner's Manual*. Dell offers comprehensive hardware training and certification. See dell.com/training for more information. This service may not be offered in all locations.

Technical Specifications

Blade Specifications

Processor

Processor type

| | |
|-------------------------------------|---|
| PowerEdge M915 | Two or four AMD Opteron 6000 series processors (eight- or twelve-core processors) |
| PowerEdge M910 | Two or four Intel Xeon 7000 series processors (up to eight-core processors) |
| PowerEdge M905 | Four dual- or quad-core AMD Opteron 8000 series processors |
| PowerEdge M805 | Two dual- or quad-core AMD Opteron 2000 series processors |
| PowerEdge M710HD, M710, M610x, M610 | One or two dual-, quad-, or six-core Intel Xeon 5000 series processors |
| PowerEdge M605 | One or two dual- or quad-core AMD Opteron 2000 series processors |
| PowerEdge M600 | One or two dual- or quad-core Intel Xeon processors |

Memory

Architecture

| | |
|----------------------------|---|
| PowerEdge M915 | 1333 MHz DDR3 single-, dual-, or quad-ranked registered LV DIMMs (RDIMMs) |
| PowerEdge M910 | DDR3 memory modules, rated for 1066 MHz operation |
| PowerEdge M905, M805, M605 | DDR2 memory modules, rated for 677 MHz operation |

Memory (continued)

| | |
|------------------------------|--|
| PowerEdge M710HD | DDR3 and DDR3L single-, dual-, and quad-rank memory modules, rated for 1066 and 1333 MHz |
| PowerEdge M710, M610x, M610, | 800, 1066, or 1333 MHz DDR3 single- or dual-ranked registered DIMMs (RDIMMs) or unbuffered DIMMs (UDIMMs) or 800 or 1066 MHz DDR3 quad-ranked registered DIMMs (RDIMMs) or unbuffered DIMMs (UDIMMs) |
| PowerEdge M600 | FBD memory modules, rated for 677 MHz operation |

Memory module sockets

| | |
|------------------------|-----------------------|
| PowerEdge M915, M910 | 32 240-pin sockets |
| PowerEdge M905 | 24 240-pin sockets |
| PowerEdge M805 | 16 240-pin sockets |
| PowerEdge M710HD, M710 | 18 240-pin sockets |
| PowerEdge M610x, M610 | 12 240-pin sockets |
| PowerEdge M605, M600 | Eight 240-pin sockets |

Memory module capacities

| | |
|-----------------------------|--|
| PowerEdge M915 | 1 GB, 2 GB, 4 GB, 8 GB, and 16 GB LV DIMMs |
| PowerEdge M910 | 1 GB, 2 GB, 4 GB, 8 GB, and 16 GB RDIMMs |
| PowerEdge M905, M805 | 1 GB, 2 GB, 4 GB, and 8 GB |
| PowerEdge M710HD | 1 GB, 2 GB, 4 GB, 8 GB, and 16 GB RDIMMs and LV DIMMs |
| PowerEdge M710, M610x, M610 | 2 GB, 4 GB, 8 GB, and 16 GB RDIMMs and LV DIMMs; 1 GB and 2 GB UDIMMs |
| PowerEdge M605, M600 | 512 MB, 1 GB, 2 GB, 4 GB, and 8 GB |

Minimum RAM

| | |
|----------------|----------------------------------|
| PowerEdge M915 | 8 GB |
| PowerEdge M910 | 4 GB |
| PowerEdge M905 | 8 GB (Eight 1 GB memory modules) |

Memory (continued)

| | |
|--------------------------------|---|
| PowerEdge M805 | 4 GB (Four 1 GB memory modules) |
| PowerEdge M710D | 4 GB |
| PowerEdge M710, M610x, M610 | One 1 GB memory module (one-processor system) or two 1 GB memory modules (two-processor systems) |
| PowerEdge M605, M600 | 1 GB (two 512 MB memory modules) |

Maximum RAM

| | |
|--------------------------|---|
| PowerEdge M915 | 512 GB |
| PowerEdge M910 | 512 GB |
| PowerEdge M905 | 192 GB |
| PowerEdge M805 | 128 GB |
| PowerEdge M710HD | 288 GB |
| PowerEdge M710 | 288 GB (Eighteen 16 GB RDIMMs); 36 GB (Eighteen 2 GB UDIMMs) |
| PowerEdge M610x, M610 | 192 GB (Twelve 16 GB RDIMMs); 24 GB (Twelve 2 GB UDIMMs) |
| PowerEdge M605, M600 | 64 GB |

Drives

Hard Drives

| | |
|----------------------|---|
| PowerEdge M915, M910 | Up to two 2.5-inch SAS hard drives support through value RAID or performance RAID storage card. <i>or</i> Up to two 2.5-inch SSD hard drives support through value RAID or performance RAID storage card. |
| PowerEdge M905, M805 | Up to two 2.5-inch SAS hard drives support through value RAID or performance RAID storage card. |
| PowerEdge M710HD | Up to two 2.5-inch SAS hard drives support through PERC H200 embedded storage controller. <i>or</i> Up to two 2.5-inch SSD hard drives support through PERC H200 embedded storage controller. |

Drives (continued)

| | |
|-----------------------------|--|
| PowerEdge M710 | Up to four 2.5-inch SAS hard drives support through value RAID or performance RAID storage card. |
| PowerEdge M600, M610x, M610 | One 2.5-inch SATA hard drive support through non-RAID, value RAID, or performance RAID storage card. <i>or</i> Two 2.5-inch SATA hard drives support through value RAID or performance RAID storage card. <i>or</i> One solid-state disk (SSD) hard drive support through non-RAID storage card. <i>or</i> Up to two SAS hard drives support through value RAID or performance RAID storage card. |
| PowerEdge M605 | Up to two SATA hard drives support through value RAID or performance RAID storage card. <i>or</i> Up to two solid-state disk (SSD) hard drives support through non-RAID storage card. <i>or</i> Up to two SAS hard drives support through value RAID or performance RAID storage card. NOTE: For all modular systems, SAS and SATA hard drives cannot be mixed within a blade. NOTE: Hot-plug operation is supported if an optional RAID controller card is installed. |

Connectors

External

USB

| | |
|---|--------------------------------|
| PowerEdge M915, M910, M905, M805, M710 | Three 4-pin, USB 2.0 compliant |
| PowerEdge M710HD, M610x, M610, M605, M600 | Two 4-pin, USB 2.0 compliant |

Connectors *(continued)*

Internal

| | |
|---|---|
| Internal Secure Digital (SD) module (PowerEdge M915, M910, M905, M805, M710HD, M710, M610x, M610) | One optional flash memory card slot with the internal SD module. |
| Internal Secure Digital (SD) vFlash module (PowerEdge M915, M910, M710HD, M710, M610x, M610) | One optional vFlash memory card slot for use with the iDRAC Enterprise support. |
| USB key (PowerEdge M915, M910, M710HD, M710, M610x, M610) | One internal USB connector. |

PCIe Expansion Solution

| | |
|-----------------|---|
| PowerEdge M610x | Supports two single-wide or one double-wide full length standard PCIe card. |
|-----------------|---|

Mezzanine Cards

| | |
|----------------------|--|
| PowerEdge M915, M910 | Up to four PCIe Gen 2 x8 mezzanine card slots, supporting dual-port Gb Ethernet, 10 Gb Ethernet, FC8 Fibre Channel, or Infiniband mezzanine cards. |
| PowerEdge M905, M805 | Up to four PCIe Gen 1 x8 mezzanine card slots, supporting dual-port Gb Ethernet, 10 Gb Ethernet, FC8 or FC4 Fibre Channel, or 4x DDR Infiniband mezzanine cards. |
| PowerEdge M710HD | Up to two PCIe Gen 2 x8 mezzanine card slots, supporting dual-port and quad-port Gb Ethernet, 10 Gb Ethernet, FC8 or FC4 Fibre Channel, or 4x DDR Infiniband mezzanine cards. |
| PowerEdge M710 | Up to four PCIe Gen 2 mezzanine card slots (three x8 and one x4 lane width), supporting dual-port Gb Ethernet, 10 Gb Ethernet, FC8 or FC4 Fibre Channel, or 4x DDR Infiniband mezzanine cards. |

Mezzanine Cards (continued)

| | |
|-----------------------|---|
| PowerEdge M610x, M610 | Up to two PCIe Gen 2 x8 mezzanine card slots, supporting dual-port Gb Ethernet, 10 Gb Ethernet, FC8 or FC4 (M610 only) Fibre Channel, or 4x DDR Infiniband mezzanine cards. |
|-----------------------|---|

| | |
|----------------------|---|
| PowerEdge M605, M600 | Up to two PCIe x8 mezzanine card slots, supporting dual-port Gb Ethernet, 10 Gb Ethernet, FC8 or FC4 Fibre Channel, or 4x DDR Infiniband mezzanine cards. |
|----------------------|---|

Embedded Ethernet Controllers

| | |
|--|--|
| PowerEdge M915, M910, M905, M805, M710HD, M710 | Four Ethernet ports with TOE and iSCSI boot support, provided by two integrated dual-port Broadcom 5709S Ethernet controllers. |
|--|--|

| | |
|-----------------------|--|
| PowerEdge M610x, M610 | Two Ethernet ports with TOE and iSCSI boot support, provided by one integrated dual-port Broadcom 5709S Ethernet controller. |
|-----------------------|--|

| | |
|----------------------|--|
| PowerEdge M605, M600 | Two Ethernet ports with TOE and iSCSI boot support, provided by two integrated Broadcom 5708S controllers. |
|----------------------|--|

Video Controller

| | |
|----------------------------------|---|
| PowerEdge M905, M805, M605, M600 | ATI RN50 video controller. 32 MB video memory |
|----------------------------------|---|

| | |
|---|---|
| PowerEdge M915, M910, M710HD, M710, M610x, M610 | Matrox G200 video controller. 8 MB video memory |
|---|---|

Physical

PowerEdge M915

| | |
|--------|-------------------|
| Height | 38.5 cm (15.2 in) |
|--------|-------------------|

| | |
|-------|-------------|
| Width | 5 cm (2 in) |
|-------|-------------|

| | |
|-------|-------------------|
| Depth | 48.6 cm (19.2 in) |
|-------|-------------------|

| | |
|--------------------------------|-----------------|
| Weight (maximum configuration) | 12.7 kg (28 lb) |
|--------------------------------|-----------------|

Physical (continued)

PowerEdge M910

| | |
|--------------------------------|-------------------|
| Height | 38.5 cm (15.2 in) |
| Width | 5 cm (2 in) |
| Depth | 48.6 cm (19.2 in) |
| Weight (maximum configuration) | 13.1 kg (29 lb) |

PowerEdge M905, M805,
M710, M610x

| | |
|--------------------------------|-------------------|
| Height | 38.5 cm (15.2 in) |
| Width | 5 cm (2 in) |
| Depth | 48.6 cm (19.2 in) |
| Weight (maximum configuration) | 11.1 kg (24.5 lb) |

PowerEdge M710HD

| | |
|--------------------------------|-------------------|
| Height | 18.9 cm (7.4 in) |
| Width | 5 cm (2 in) |
| Depth | 48.6 cm (19.2 in) |
| Weight (maximum configuration) | 7.4 kg (16.3 lb) |

PowerEdge M605, M600

| | |
|--------------------------------|---------------------------|
| Height | 18.9 cm (7.4 in) |
| Width | 5 cm (2 in) |
| Depth | 48.6 cm (19.2 in) |
| Weight (maximum configuration) | 5.2–6.4 kg (11.5–14.0 lb) |

Battery

| | |
|----------------------|---------------------------------|
| NVRAM backup battery | CR 2032 3.0-V lithium coin cell |
|----------------------|---------------------------------|

System Enclosure Specifications

Physical

| | |
|--------------------------------|---------------------|
| Height | 44.0 cm (17.3 in) |
| Width | 44.7 cm (17.6 in) |
| Depth | 75.5 cm (29.7 in) |
| Weight (maximum configuration) | 178.3 kg (392.2 lb) |
| Weight (empty) | 44.6 kg (98.1 lb) |

Power Supply Module

AC/DC power supply (per power supply)

| | |
|------------------------|---|
| Wattage | 2360 W and 2700 W |
| Connector | IEC C20 |
| Heat dissipation | 1205 BTU/hr. maximum |
| Maximum inrush current | Under typical line conditions and over the entire system ambient operating range, the inrush current may reach 55 A per power supply for 10 ms or less. |

System Voltage Requirements 14.4 A, 200–240 VAC, 50/60 Hz

Optional Avocent iKVM Module

Externally accessible connectors

| | |
|----------|--|
| USB | Two 4-pin, USB 2.0-compliant connectors for keyboard and mouse support |
| ACI port | RJ-45 |
| Video | 15-pin VGA |

Chassis Management Controller Module

Externally accessible connectors

| | |
|-------------------|--|
| Remote management | Two dedicated 10/100/1000 Mb RJ-45 (for integrated Ethernet remote access controller). Gb port connects to the external management network. STK port allows CMCs in adjacent enclosures to be daisy chained. |
| Serial | 9-pin, DTE, 16550-compatible |
| Video | 15-pin VGA |
| Battery | CR 2032 3.0-V lithium ion coin cell |

Enclosure Control Panel

Externally accessible connectors

| | |
|-----------|--|
| USB | Two 4-pin, USB 2.0-compliant connectors for keyboard and mouse support |
| Video | 15-pin VGA |
| LCD Panel | |
| Features | Four cursor control keys, one select key, and an LCD screen |

Environmental

NOTE: For additional information about environmental measurements for specific system configurations, see dell.com/environmental_datasheets. The system is not for use in an office environment.

Temperature

| | |
|-----------|---|
| Operating | 10 °C to 35 °C (50 °F to 95 °F) NOTE: Decrease the maximum temperature by 1 °C (1.8 °F) per 300 m (985 ft) above 900 m (2955 ft). |
| Storage | -40 °C to 65 °C (-40 °F to 149 °F) |

Environmental (continued)

Relative humidity

| | |
|-----------|---|
| Operating | 20% to 80% (noncondensing) at a maximum wet bulb temperature of 29 °C (84.2 °F) |
| Storage | 5% to 95% (noncondensing) at a maximum wet bulb temperature of 38 °C (100.4 °F) |

Maximum vibration

| | |
|-----------|--------------------------------------|
| Operating | 0.26 Grms at 10 Hz–350 Hz for 15 min |
| Storage | 1.54 Grms at 10 Hz–250 Hz for 15 min |

Maximum shock

| | |
|-----------|---|
| Operating | One shock pulse in the positive z axis (one pulse on each side of the system) of 41 G for up to 2 ms |
| Storage | Six consecutively executed shock pulses in the positive and negative x, y, and z axes (one pulse on each side of the system) of 71 G for up to 2 ms |

Altitude

| | |
|-----------|---|
| Operating | –15.2 m to 3,048 m (–50 ft to 10,000 ft) |
| Storage | –15.2 m to 10,600 m (–50 ft to 35,000 ft) |

Airborne Contaminant Level

| | |
|-------|----------------------------------|
| Class | G1 as defined by ISA-S71.04-1985 |
|-------|----------------------------------|

I/O Module Specifications


For information about the I/O modules and pass-through modules supported on your enclosure, see the *Dell PowerEdge M1000e Systems Configuration Guide* at support.dell.com/manuals.

Dell PowerEdge
M1000e, M915, M910, M905,
M805, M710HD, M710, M610x,
M610, M605 a M600


Začínáme se systémem



Poznámky a upozornění

 **POZNÁMKA:** POZNÁMKA označuje důležité informace, které pomáhají lepšímu využití počítače.

 **UPOZORNĚNÍ:** UPOZORNĚNÍ poukazuje na možnost poškození hardwaru nebo ztráty dat v případě nedodržení pokynů.

 **VAROVÁNÍ:** VAROVÁNÍ upozorňuje na potenciální nebezpečí poškození majetku, úrazu nebo smrti.

Informace v této publikaci se mohou bez předchozího upozornění změnit.

© 2010 Dell Inc. Všechna práva vyhrazena.

Jakákoli reprodukce těchto materiálů bez písemného povolení společnosti Dell Inc. je přísně zakázána.

Ochranné známky použité v tomto textu: Dell™, logo DELL a PowerEdge™ jsou ochranné známky společnosti Dell Inc. Citrix™ a XenServer® jsou registrované ochranné známky nebo ochranné známky společnosti Citrix Systems, Inc. a/nebo jedné nebo více jejích poboček a mohou být registrovány úřadem pro patenty a ochranné známky v USA a dalších zemích. Intel® je registrovaná ochranná známka společnosti Intel Corporation v USA a dalších zemích. Microsoft®, Windows® a Windows Server® jsou ochranné známky nebo registrované ochranné známky společnosti Microsoft Corporation v USA a dalších zemích. Red Hat® a Red Hat Enterprise Linux® jsou registrované ochranné známky společnosti Red Hat Inc. v USA a dalších zemích. SUSE® je registrovaná ochranná známka společnosti Novell, Inc. v USA a dalších zemích. VMware® je registrovaná ochranná známka nebo ochranná známka společnosti VMware, Inc. v USA a dalších zemích. Solaris™ je ochranná známka společnosti Sun Microsystems, Inc. v USA a dalších zemích.

V této publikaci mohou být použity další ochranné známky a obchodní názvy s odkazem na společnosti vlastníci tyto známky a názvy nebo na jejich produkty. Společnost Dell Inc. nemá vlastnické zájmy vůči ochranným známkám a obchodním názvům jiným než svým vlastním.

Model BMX01, řada HHB, řada FHB

Prosinec 2010 Č. dílu YCFM1 Rev. A00

Instalace a konfigurace

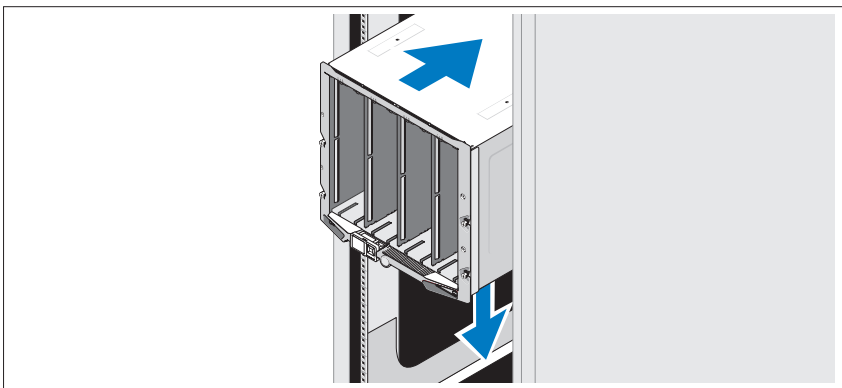
! **VAROVÁNÍ:** Před provedením následujícího postupu si prostudujte bezpečnostní pokyny dodané se systémem.

V této části jsou popsány kroky, které je nutné provést při první instalaci systému.

Rozbalení systému

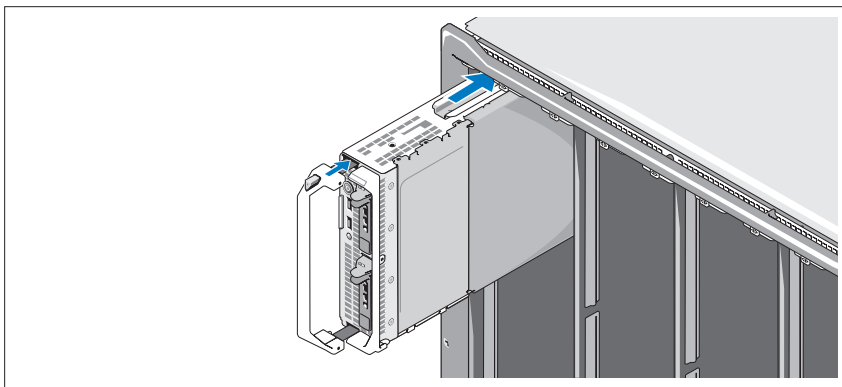
Rozbalte systém a identifikujte jeho jednotlivé součásti.

Instalace kolejniček a systému do stojanu



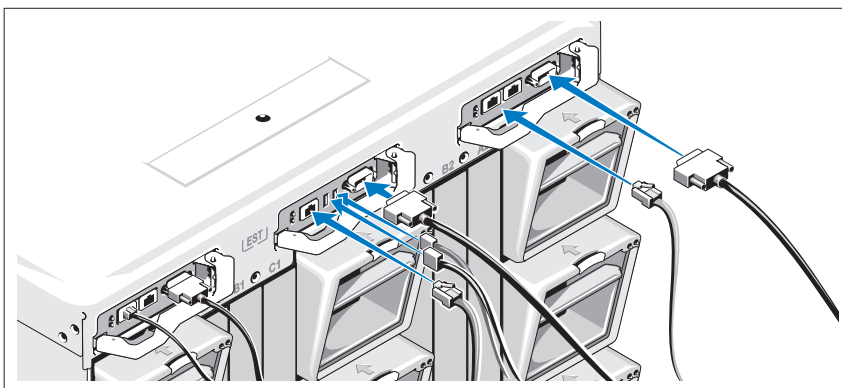
Sestavte kolejničky a nainstalujte systém do stojanu podle bezpečnostních pokynů a pokynů k instalaci do stojanu dodaných se systémem.

Instalace modulů blade



Postupujte zleva doprava a shora dolů a zasouvejte moduly do šasi. Jakmile je modul blade bezpečně nainstalován, držadlo se vrátí do zamčené pozice.

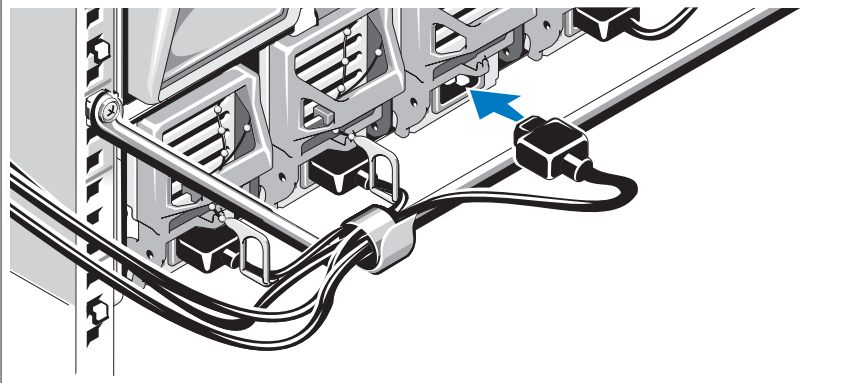
Připojení modulů CMC a KVM



Připojte sériový kabel a síťové kabely z řídicího systému k modulu CMC. Připojte také druhý, volitelný modul CMC (pokud je nainstalován).

Připojte klávesnici, myš a monitor k volitelnému modulu iKVM.

Připojení systému ke zdrojům napájení



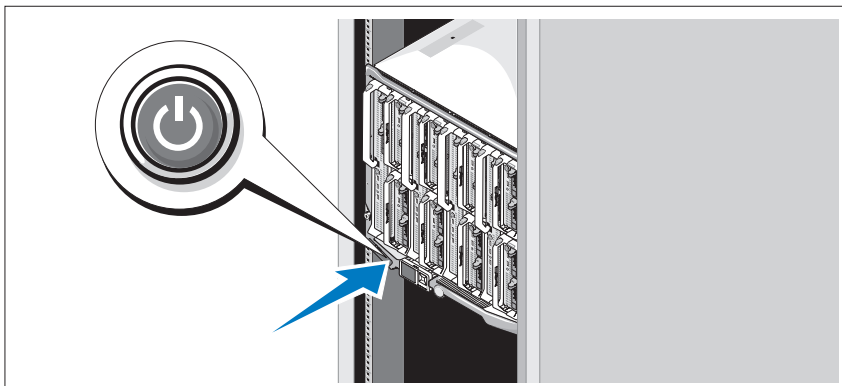
Připojte napájecí kabely systému ke zdrojům napájení.

- △ **UPOZORNĚNÍ:** Zástrčky napájecích kabelů zajistěte pomocí plastových svorek na zdrojích napájení a pomocí pásky se suchým zipem připevněte kabel k protideformační tyči, abyste předešli nechtěnému odpojení napájecích kabelů.


Připojte druhý konec napájecích kabelů k jednotce rozvaděče (PDU).

- △ **UPOZORNĚNÍ:** Nezapojujte napájecí kabely přímo do elektrické zásuvky. Je třeba použít rozvaděč. V zájmu optimální funkčnosti systému jsou vyžadovány nejméně tři napájecí zdroje.

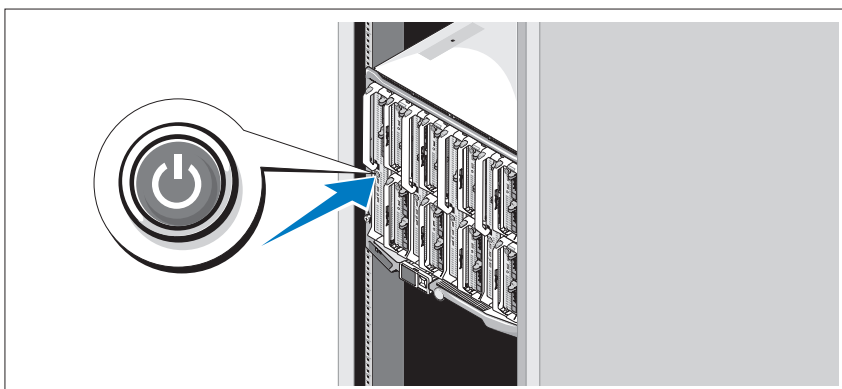
Zapnutí systému



Stiskněte tlačítko napájení na šasi. Měl by se rozsvítit indikátor napájení.

 **POZNÁMKA:** Po připojení systému ke zdrojům napájení se může systém zapnout až po krátké prodlevě.

Zapnutí modulů blade



Stiskněte tlačítko napájení na každém modulu blade nebo spusťte napájení modulů blade pomocí softwaru pro správu systémů.

Dokončení nastavení operačního systému

Pokud jste zakoupili předinstalovaný operační systém, prostudujte dokumentaci k operačnímu systému dodanou se systémem. Chcete-li provést první instalaci operačního systému, postupujte podle dokumentace k instalaci a konfiguraci operačního systému. Než začnete s instalací hardwaru či softwaru, který nebyl zakoupen společně se systémem, ujistěte se, že je nainstalován operační systém.

Podporované operační systémy

| Operační systém | M915 | M910 | M905 | M805 | M710 | M710HD | M610 | M610x | M605 |
|--|------|------|------|------|------|--------|------|-------|------|
| Citrix XenServer 5.5 | | | ✓ | ✓ | ✓ | | ✓ | | ✓ |
| Citrix XenServer 5.6 | ✓ | ✓ | ✓ | ✓ | ✓ | ✓ | ✓ | ✓ | ✓ |
| Microsoft Windows Server 2008 Hyper-V Server | ✓ | ✓ | | | | ✓ | | | |
| Microsoft Windows Essential Business Server 2008, edice Standard a Premium | | ✓ | | | | ✓ | | ✓ | |
| Microsoft Windows HPC Server 2008 (x64) | ✓ | ✓ | | | | | | ✓ | |
| Microsoft Windows Server 2008, edice Standard a Enterprise (x86) | | ✓ | | | ✓ | ✓ | ✓ | ✓ | |
| Microsoft Windows Web Server 2008 (x86) | | ✓ | | | ✓ | ✓ | ✓ | | |
| Microsoft Windows Web Server 2008 (x86) s aktualizací SP2 | | ✓ | | | | | | | |
| Microsoft Windows Server 2008, edice Standard a Enterprise (x86) s aktualizací SP2 | | ✓ | | | | ✓ | | ✓ | |

| Operační systém | M915 | M910 | M905 | M805 | M710 | M710HD | M610 | M610x | M605 |
|--|-------------|-------------|-------------|-------------|-------------|---------------|-------------|--------------|-------------|
| Microsoft Windows Server 2008, edice Standard, Enterprise a Datacenter (x64) | | ✓ | ✓ | ✓ | ✓ | | ✓ | ✓ | |
| Microsoft Windows Web Server 2008 (x64) | | ✓ | | | ✓ | | ✓ | ✓ | |
| Microsoft Windows Web Server 2008 (x64) s aktualizací SP2 | ✓ | ✓ | | | | ✓ | | ✓ | |
| Microsoft Windows Server 2008 R2, edice Standard, Enterprise a Datacenter (x64) | ✓ | ✓ | | | | ✓ | | ✓ | |
| Microsoft Windows Server 2003, edice Standard a Enterprise | | | | | | | | | ✓ |
| Microsoft Windows Server 2003, edice Web | | ✓ | | | | | | ✓ | ✓ |
| Microsoft Windows Server 2003, edice Standard, Enterprise a Web s aktualizací SP1 nebo novější | | | | | | | | | ✓ |
| Microsoft Windows Server 2003 R2, edice Standard a Enterprise (x86) | | ✓ | ✓ | ✓ | ✓ | | ✓ | ✓ | ✓ |
| Microsoft Windows Server 2003, edice Standard a Enterprise (x64) | | | | | | | | | ✓ |

| Operační systém | M915 | M910 | M905 | M805 | M710 | M710HD | M610 | M610x | M605 |
|---|-------------|-------------|-------------|-------------|-------------|---------------|-------------|--------------|-------------|
| Microsoft Windows Server 2003 R2, edice Standard a Enterprise (x64) | | | ✓ | ✓ | ✓ | | ✓ | ✓ | ✓ |
| Microsoft Windows Server 2003 R2, edice Datacenter (x64) | | | | | ✓ | | ✓ | ✓ | |
| Microsoft Windows Server 2003 R2, edice Standard, Enterprise a Datacenter (x64) s aktualizací SP2 | | ✓ | | | | | | | |
| Red Hat Enterprise Linux AS, ES a WS (verze 4.0), aktualizace 5 (x86) | | | ✓ | ✓ | | | | | ✓ |
| Red Hat Enterprise Linux AS, ES a WS (verze 4.0), aktualizace 5 (x86_64) | | | ✓ | ✓ | | | | | ✓ |
| Red Hat Enterprise Linux AS a ES, verze 4.7 (x86) | | | | | ✓ | | ✓ | | |
| Red Hat Enterprise Linux AS a ES, verze 4.7 (x86_64) | | | | | ✓ | | ✓ | | |
| Red Hat Enterprise Linux AS a ES, verze 4.8 (x86) | | | | | | ✓ | | ✓ | |
| Red Hat Enterprise Linux AS a ES, verze 4.8 (x86_64) | | | | | | ✓ | | ✓ | |
| Red Hat Enterprise Linux, verze 5.0 (x86) | | | ✓ | ✓ | | ✓ | | | ✓ |

| Operační systém | M915 | M910 | M905 | M805 | M710 | M710HD | M610 | M610x | M605 |
|--|------|------|------|------|------|--------|------|-------|------|
| Red Hat Enterprise Linux, verze 5.0 (x86_64) | | | ✓ | ✓ | ✓ | ✓ | | | ✓ |
| Red Hat Enterprise Linux, verze 5.2 (x86) | | | | | ✓ | | | | |
| Red Hat Enterprise Linux, verze 5.5 (x86) | ✓ | | | | | ✓ | | ✓ | |
| Red Hat Enterprise Linux, verze 5.5 (x86_64) | ✓ | | | | | ✓ | | ✓ | |
| Red Hat Enterprise Linux, verze 6.0 (x86_64) | ✓ | | | | | | | | |
| SUSE Linux Enterprise Server 10 (x86_64) | | | ✓ | ✓ | ✓ | | | | ✓ |
| SUSE Linux Enterprise Server 10 (x86_64) s aktualizací SP3 | ✓ | ✓ | | | | ✓ | | ✓ | |
| SUSE Linux Enterprise Server 11 (x86_64) | ✓ | ✓ | | | | ✓ | | ✓ | |
| Solaris 10 (x86_64) | | ✓ | ✓ | ✓ | ✓ | ✓ | ✓ | | ✓ |
| VMware ESX verze 3.0 | | | ✓ | ✓ | ✓ | | ✓ | | |
| VMware ESX verze 3.0.2, aktualizace 1 | | | | | | | | | ✓ |
| VMware ESX verze 3.5 | | | ✓ | ✓ | ✓ | | ✓ | | |

| Operační systém | M915 | M910 | M905 | M805 | M710 | M710HD | M610 | M610x | M605 |
|--------------------------------------|------|------|------|------|------|--------|------|-------|------|
| VMware ESX verze 4.0, aktualizace 1 | | ✓ | | | | ✓ | | ✓ | |
| VMware ESXi verze 4.0, aktualizace 1 | | ✓ | | | | ✓ | | ✓ | |
| VMware ESX verze 4.0, aktualizace 2 | ✓ | | | | | | | | |
| VMware ESXi verze 4.0, aktualizace 2 | ✓ | | | | | | | | |
| VMware ESX verze 4.1, aktualizace 1 | ✓ | | | | | | | | |
| VMware ESXi verze 4.1, aktualizace 1 | ✓ | | | | | | | | |

✓ – Podporováno



POZNÁMKA: Nejnovější informace o podporovaných operačních systémech pro všechny systémy PowerEdge naleznete na webu dell.com/ossupport.

Další užitečné informace



VAROVÁNÍ: Před provedením následujícího postupu si prostudujte bezpečnostní pokyny dodané se systémem.

- *Průvodce konfigurací* poskytuje informace o konfiguraci šasi systému a modulů blade.
- *Pokyny k instalaci do stojanu* dodané se stojanovým řešením popisují instalaci systému do stojanu.
- *Příručka majitele hardwaru* obsahuje informace o funkcích systému a popisuje řešení problémů se systémem a instalaci nebo výměnu komponent.
- Dokumentace k aplikaci pro správu systémů Dell poskytuje informace o instalaci a použití softwaru pro správu systémů.



POZNÁMKA: Vždy nejprve zkontrolujte a přečtěte aktualizace uvedené na adrese support.dell.com/manuals, protože tyto aktualizace často nahrazují informace v ostatních dokumentech.

Odborná pomoc

Nerozumíte-li některému z postupů popsaných v této příručce nebo nepracuje-li systém podle očekávání, nahlédněte do *Příručky majitele hardwaru*. Společnost Dell nabízí v souvislosti s hardwarem kompletní školení a certifikaci. Další informace naleznete na webových stránkách dell.com/training. Tato služba nemusí být nabízena ve všech regionech.

Technické specifikace

Specifikace modulů blade

Procesor

Typ procesoru

| | |
|-------------------------------------|--|
| PowerEdge M915 | Dva nebo čtyři procesory řady AMD Opteron 6000 (procesory s osmi nebo dvanácti jádry) |
| PowerEdge M910 | Dva nebo čtyři procesory řady Intel Xeon 7000 (procesory s až osmi jádry) |
| PowerEdge M905 | Čtyři dvoujádrové nebo čtyřjádrové procesory řady AMD Opteron 8000 |
| PowerEdge M805 | Dva dvoujádrové nebo čtyřjádrové procesory řady AMD Opteron 2000 |
| PowerEdge M710HD, M710, M610x, M610 | Jeden nebo dva dvoujádrové, čtyřjádrové nebo šestijádrové procesory řady Intel Xeon 5000 |
| PowerEdge M605 | Jeden nebo dva dvoujádrové nebo čtyřjádrové procesory řady AMD Opteron 2000 |
| PowerEdge M600 | Jeden nebo dva dvoujádrové nebo čtyřjádrové procesory Intel Xeon |

Paměť

Architektura

| | |
|-----------------------------|---|
| PowerEdge M915 | Nízkonapěťové moduly DIMM typu DDR3 s taktovací frekvencí 1333 MHz, jednoduché, duální nebo kvadrální, registrované (RDIMM) |
| PowerEdge M910 | Paměťové moduly DDR3 s taktovací frekvencí 1066 MHz |
| PowerEdge M905, M805, M605 | Paměťové moduly DDR2 s taktovací frekvencí 677 MHz |
| PowerEdge M710HD | Paměťové moduly DDR3 a DDR3L, jednoduché, duální nebo kvadrální, s taktovací frekvencí 1066 a 1333 MHz |
| PowerEdge M710, M610x, M610 | Paměťové moduly DDR3 s taktovací frekvencí 800, 1066 nebo 1333 MHz, jednoduché nebo duální, typ RDIMM (Registered DIMM) nebo UDIMM (Unbuffered DIMM) nebo Paměťové moduly DDR3 s taktovací frekvencí 800 nebo 1066 MHz, kvadrální, typ RDIMM (Registered DIMM) nebo UDIMM (Unbuffered DIMM) |
| PowerEdge M600 | Paměťové moduly FBD s taktovací frekvencí 677 MHz |

Sloty pro paměťové moduly

| | |
|------------------------|---------------------------|
| PowerEdge M915, M910 | 32 240kolíkových socketů |
| PowerEdge M905 | 24 240kolíkových socketů |
| PowerEdge M805 | 16 240kolíkových socketů |
| PowerEdge M710HD, M710 | 18 240kolíkových socketů |
| PowerEdge M610x, M610 | 12 240kolíkových socketů |
| PowerEdge M605, M600 | Osm 240kolíkových socketů |

Kapacity paměťových modulů

| | |
|----------------------|---|
| PowerEdge M915 | Moduly LV DIMM s kapacitou 1 GB, 2 GB, 4 GB, 8 GB a 16 GB |
| PowerEdge M910 | Moduly RDIMM s kapacitou 1 GB, 2 GB, 4 GB, 8 GB a 16 GB |
| PowerEdge M905, M805 | 1 GB, 2 GB, 4 GB a 8 GB |

Paměť (pokračování)

| | |
|-----------------------------|---|
| PowerEdge M710HD | Moduly RDIMM a LV DIMM s kapacitou 1 GB, 2 GB, 4 GB, 8 GB a 16 GB |
| PowerEdge M710, M610x, M610 | Moduly RDIMM a LV DIMM s kapacitou 2 GB, 4 GB, 8 GB a 16 GB, moduly UDIMM s kapacitou 1 GB a 2 GB |
| PowerEdge M605, M600 | 512 MB, 1 GB, 2 GB, 4 GB a 8 GB |

Minimum paměti RAM

| | |
|-----------------------------|--|
| PowerEdge M915 | 8 GB |
| PowerEdge M910 | 4 GB |
| PowerEdge M905 | 8 GB (osm paměťových modulů s kapacitou 1 GB) |
| PowerEdge M805 | 4 GB (čtyři paměťové moduly s kapacitou 1 GB) |
| PowerEdge M710D | 4 GB |
| PowerEdge M710, M610x, M610 | Jeden paměťový modul s kapacitou 1 GB (systémy s jedním procesorem) nebo dva paměťové moduly s kapacitou 1 GB (systémy se dvěma procesory) |
| PowerEdge M605, M600 | 1 GB (dva paměťové moduly s kapacitou 512 MB) |

Maximum paměti RAM

| | |
|-----------------------|---|
| PowerEdge M915 | 512 GB |
| PowerEdge M910 | 512 GB |
| PowerEdge M905 | 192 GB |
| PowerEdge M805 | 128 GB |
| PowerEdge M710HD | 288 GB |
| PowerEdge M710 | 288 GB (osmnáct modulů RDIMM s kapacitou 16 GB) 36 GB (osmnáct modulů UDIMM s kapacitou 2 GB) |
| PowerEdge M610x, M610 | 192 GB (dvanáct modulů RDIMM s kapacitou 16 GB); 24 GB (dvanáct modulů UDIMM s kapacitou 2 GB) |
| PowerEdge M605, M600 | 64 GB |

Jednotky

Pevné disky

| | |
|-----------------------------|--|
| PowerEdge M915, M910 | Podpora až dvou 2,5palcových pevných disků SAS prostřednictvím karty Value RAID nebo Performance RAID <i>nebo</i> Podpora až dvou 2,5palcových pevných disků SSD prostřednictvím karty Value RAID nebo Performance RAID |
| PowerEdge M905, M805 | Podpora až dvou 2,5palcových pevných disků SAS prostřednictvím karty Value RAID nebo Performance RAID |
| PowerEdge M710HD | Podpora až dvou 2,5palcových pevných disků SAS prostřednictvím integrovaného řadiče PERC H200 <i>nebo</i> Podpora až dvou 2,5palcových pevných disků SSD prostřednictvím integrovaného řadiče PERC H200 |
| PowerEdge M710 | Podpora až čtyř 2,5palcových pevných disků SAS prostřednictvím karty Value RAID nebo Performance RAID |
| PowerEdge M600, M610x, M610 | Podpora jednoho 2,5palcového pevného disku SATA prostřednictvím karty Value RAID, Performance RAID nebo jiné karty než RAID <i>nebo</i> Podpora dvou 2,5palcových pevných disků SATA prostřednictvím karty Value RAID nebo Performance RAID <i>nebo</i> Podpora jednoho pevného disku SSD prostřednictvím jiné karty než RAID <i>nebo</i> Podpora až dvou pevných disků SAS prostřednictvím karty Value RAID nebo Performance RAID |

Jednotky (pokračování)

PowerEdge M605

Podpora až dvou pevných disků SATA prostřednictvím karty Value RAID nebo Performance RAID

nebo

Podpora až dvou pevných disků SSD prostřednictvím jiné karty než RAID

nebo

Podpora až dvou pevných disků SAS prostřednictvím karty Value RAID nebo Performance RAID

POZNÁMKA: Pro všechny modulární systémy platí, že v rámci modulu blade nelze kombinovat pevné disky SAS a SATA.

POZNÁMKA: Připojitelnost za provozu je podporována, pokud je nainstalována volitelná karta řadiče RAID.

Konektory

Externí

USB

PowerEdge M915, M910, M905, M805, M710 Tři 4kolíkové, USB 2.0

PowerEdge M710HD, M610x, M610, M605, M600 Dva 4kolíkové, USB 2.0

Interní

Interní modul SD (Secure Digital) (PowerEdge M915, M910, M905, M805, M710HD, M710, M610x, M610) Jeden slot pro volitelnou paměťovou kartu flash s interním modulem SD

Interní modul SD (Secure Digital) vFlash (PowerEdge M915, M910, M710HD, M710, M610x, M610) Jeden slot pro volitelnou paměťovou kartu vFlash s podporou ovladače iDRAC Enterprise

Konektory (pokračování)

| | |
|--|--|
| Paměťový klíč USB (PowerEdge M915, M910, M710HD, M710, M610x, M610) | Jeden interní konektor pro paměťový klíč USB |
|--|--|

Rozšíření PCIe

| | |
|-----------------|--|
| PowerEdge M610x | Podporuje dvě standardní karty PCIe plné délky s jednoduchou šířkou nebo jednu kartu s dvojitou šířkou |
|-----------------|--|

Rozšiřovací karty

| | |
|----------------------|---|
| PowerEdge M915, M910 | Sloty pro až čtyři rozšiřovací karty PCIe x8 (2. generace) s podporou rozšiřovacích karet Ethernet 1 Gb/s se dvěma porty, Ethernet 10 Gb/s, Fibre Channel FC8 nebo Infiniband |
|----------------------|---|

| | |
|----------------------|--|
| PowerEdge M905, M805 | Sloty pro až čtyři rozšiřovací karty PCIe x8 (1. generace) s podporou rozšiřovacích karet Ethernet 1 Gb/s se dvěma porty, Ethernet 10 Gb/s, Fibre Channel FC8 a FC4 nebo 4x DDR Infiniband |
|----------------------|--|

| | |
|------------------|--|
| PowerEdge M710HD | Sloty pro až dvě rozšiřovací karty PCIe x8 (2. generace) s podporou rozšiřovacích karet Ethernet 1 Gb/s se dvěma nebo čtyřmi porty, Ethernet 10 Gb/s, Fibre Channel FC8 a FC4 nebo 4x DDR Infiniband |
|------------------|--|

| | |
|----------------|---|
| PowerEdge M710 | Sloty pro až čtyři rozšiřovací karty PCIe 2. generace (tři x8 a jeden x4) s podporou rozšiřovacích karet Ethernet 1 Gb/s se dvěma porty, Ethernet 10 Gb/s, Fibre Channel FC8 a FC4 nebo 4x DDR Infiniband |
|----------------|---|

| | |
|-----------------------|---|
| PowerEdge M610x, M610 | Sloty pro až dvě rozšiřovací karty PCIe x8 (2. generace) s podporou rozšiřovacích karet Ethernet 1 Gb/s se dvěma porty, Ethernet 10 Gb/s, Fibre Channel FC8 a FC4 (jen M610) nebo 4x DDR Infiniband |
|-----------------------|---|

| | |
|----------------------|--|
| PowerEdge M605, M600 | Sloty pro až dvě rozšiřovací karty PCIe x8 s podporou rozšiřovacích karet Ethernet 1 Gb/s se dvěma porty, Ethernet 10 Gb/s, Fibre Channel FC8 a FC4 nebo 4x DDR Infiniband |
|----------------------|--|

Integrované řadiče Ethernet

| | |
|--|--|
| PowerEdge M915, M910, M905, M805, M710HD, M710 | Čtyři porty Ethernet s podporou funkce TOE a spuštění prostřednictvím protokolu iSCSI poskytované dvěma integrovanými kartami Ethernet Broadcom 5709S se dvěma porty |
|--|--|

| | |
|-----------------------|---|
| PowerEdge M610x, M610 | Dva porty Ethernet s podporou funkce TOE a spuštění prostřednictvím protokolu iSCSI poskytované jednou integrovanou kartou Ethernet Broadcom 5709S se dvěma porty |
|-----------------------|---|

| | |
|----------------------|--|
| PowerEdge M605, M600 | Dva porty Ethernet s podporou funkce TOE a spuštění prostřednictvím protokolu iSCSI poskytované dvěma integrovanými kartami Broadcom 5708S |
|----------------------|--|

Grafická karta

| | |
|----------------------------------|--|
| PowerEdge M905, M805, M605, M600 | Grafická karta ATI RN50, 32 MB grafické paměti |
|----------------------------------|--|

| | |
|---|--|
| PowerEdge M915, M910, M710HD, M710, M610x, M610 | Grafická karta Matrox G200, 8 MB grafické paměti |
|---|--|

Rozměry

PowerEdge M915

| | |
|----------------------------------|---------|
| Výška | 38,5 cm |
| Šířka | 5 cm |
| Hloubka | 48,6 cm |
| Hmotnost (maximální konfigurace) | 12,7 kg |

PowerEdge M910

| | |
|----------------------------------|---------|
| Výška | 38,5 cm |
| Šířka | 5 cm |
| Hloubka | 48,6 cm |
| Hmotnost (maximální konfigurace) | 13,1 kg |

Rozměry (pokračování)

PowerEdge M905, M805,
M710, M610x

| | |
|----------------------------------|---------|
| Výška | 38,5 cm |
| Šířka | 5 cm |
| Hloubka | 48,6 cm |
| Hmotnost (maximální konfigurace) | 11,1 kg |

PowerEdge M710HD

| | |
|----------------------------------|---------|
| Výška | 18,9 cm |
| Šířka | 5 cm |
| Hloubka | 48,6 cm |
| Hmotnost (maximální konfigurace) | 7,4 kg |

PowerEdge M605, M600

| | |
|----------------------------------|---------------|
| Výška | 18,9 cm |
| Šířka | 5 cm |
| Hloubka | 48,6 cm |
| Hmotnost (maximální konfigurace) | 5,2 až 6,4 kg |

Baterie

Záložní baterie paměti NVRAM Lithium-iontová knoflíková baterie CR 2032 3,0 V

Specifikace šasi systému

Rozměry

| | |
|----------------------------------|----------|
| Výška | 44,0 cm |
| Šířka | 44,7 cm |
| Hloubka | 75,5 cm |
| Hmotnost (maximální konfigurace) | 178,3 kg |
| Hmotnost (prázdné) | 44,6 kg |

Modul zdroje napájení

Střídavý/stejnoseměrný proud (na jeden zdroj napájení)

Výkon 2360 W a 2700 W

Konektor IEC C20

Odvod tepla 1205 BTU/hod. (maximum)

Maximální nárazový proud V typických podmínkách napájení a v celém provozním rozsahu systému může nárazový proud dosáhnout 55 A na jeden napájecí zdroj po dobu 10 ms nebo méně.

Požadavky na napájení systému 14,4 A, 200–240 V stř., 50/60 Hz

Volitelný modul Avocent iKVM

Externě přístupné konektory

USB Dva 4kolíkové konektory USB 2.0 pro klávesnici a myš

Port ACI RJ-45

Video 15kolíkový VGA

Modul ovladače CMC (Chassis Management Controller)

Externě přístupné konektory

| | |
|-----------------|--|
| Vzdálená správa | Dva vyhrazené porty RJ-45 s přenosovou rychlostí 10/100/1000 Mb/s (pro integrovaný ovladač vzdáleného přístupu Ethernet). Port 1 Gb/s slouží k připojení k externí síti správy. Port STK umožňuje řetězové propojení s ovladači CMC v sousedních šasi. |
| Sériový | 9kolíkový, DTE, kompatibilní s normou 16550 |
| Video | 15kolíkový VGA |
| Baterie | Lithium-iontová knoflíková baterie CR 2032 3,0 V |

Ovládací panel na šasi

Externě přístupné konektory

| | |
|-------|--|
| USB | Dva 4kolíkové konektory USB 2.0 pro klávesnici a myš |
| Video | 15kolíkový VGA |

Panel LCD

| | |
|--------|---|
| Funkce | Čtyři kurzorové ovládací klávesy, jedna klávesa pro výběr a obrazovka LCD |
|--------|---|

Prostředí

POZNÁMKA: Další informace o měřených údajích prostředí najdete pro jednotlivé systémové konfigurace na adrese dell.com/environmental_datasheets. Systém není určen pro použití v kanceláři.

Teplota

| | |
|------------|--|
| Provozní | 10 až 35 °C POZNÁMKA: Snižte nejvyšší teplotu o 1 °C na každých 300 m nad nadmořskou výškou 900 m. |
| Skladovací | -40 až 65 °C |

Prostředí (pokračování)

Relativní vlhkost

| | |
|------------|--|
| Provozní | 20 až 80 % (bez kondenzace), maximální teplota teploměru s vlhčeným čidlem 29 °C |
| Skladovací | 5 až 95 % (bez kondenzace), maximální teplota teploměru s vlhčeným čidlem 38 °C |

Maximální vibrace

| | |
|------------|---------------------------------------|
| Provozní | 0,26 g při 10–350 Hz po dobu 15 minut |
| Skladovací | 1,54 g při 10–250 Hz po dobu 15 minut |

Maximální ráz

| | |
|------------|---|
| Provozní | Jeden rázový impuls v kladné ose z (jeden impuls na každé straně systému) o síle 41 G v délce do 2 ms |
| Skladovací | Šest po sobě jdoucích rázových impulsů v kladné i záporné ose x, y a z (jeden impuls na každé straně systému) o síle 71 G v délce do 2 ms |

Nadmořská výška

| | |
|------------|-------------------|
| Provozní | -15,2 až 3 048 m |
| Skladovací | -15,2 až 10 668 m |

Úroveň znečištění vzduchu

| | |
|-------|------------------------------|
| Třída | G1 dle normy ISA-S71.04-1985 |
|-------|------------------------------|

Specifikace vstupně-výstupního modulu

Informace o vstupně-výstupních modulech a průchozích modulech podporovaných vaším šasi najdete v *Průvodci konfigurací systémů PowerEdge M1000e* na webu support.dell.com/manuals.

Dell PowerEdge
M1000e, M915, M910, M905,
M805, M710HD, M710, M610x,
M610, M605, et M600

Guide de mise en route

Modèle BMX01, série HHB, série FHB



Remarques, précautions et avertissements



REMARQUE : Une REMARQUE indique des informations importantes qui peuvent vous aider à mieux utiliser votre ordinateur.



PRÉCAUTION : Une PRÉCAUTION vous avertit d'un risque d'endommagement du matériel ou de perte de données en cas de non-respect des instructions.



AVERTISSEMENT : Un AVERTISSEMENT indique un risque d'endommagement du matériel, de blessure corporelle ou de mort.

Les informations que contient cette publication sont sujettes à modification sans préavis.

© 2010 Dell Inc. tous droits réservés.

La reproduction de ce document de quelque manière que ce soit sans l'autorisation écrite de Dell Inc. est strictement interdite.

Marques commerciales utilisées dans ce document : Dell™, le logo DELL, et PowerEdge™ sont des marques commerciales de Dell Inc. Citrix™ et XenServer® sont des marques ou des marques déposées de Citrix Systems, Inc. et/ou de l'une ou plusieurs de ses filiales, et peuvent être déposées au Bureau des brevets et marques commerciales des États-Unis et dans d'autres pays. Intel® est une marque déposée de Intel Corporation aux États-Unis et dans d'autres pays. Microsoft®, Windows®, et Windows Server® sont des marques ou des marques déposées de Microsoft Corporation aux États-Unis et/ou dans d'autres pays. Red Hat® et Red Hat Enterprise Linux® sont des marques déposées de Red Hat, Inc. aux États-Unis et dans d'autres pays. SUSE® est une marque déposée de Novell, Inc. aux États-Unis et dans d'autres pays. VMware® est une marque ou une marque déposée de VMware, Inc. aux États-Unis et/ou dans d'autres juridictions. Solaris™ est une marque de Sun Microsystems, Inc. aux États-Unis et dans d'autres pays.

D'autres marques et noms commerciaux peuvent être utilisés dans ce document pour faire référence aux entités se réclamant de ces marques et de ces noms ou à leurs produits. Dell Inc. rejette tout intérêt propriétaire dans les marques et les noms commerciaux autres que les siens.

Modèle BMX01, série HHB, série FHB

Décembre 2010

N/P YCFM1

Rév. A00

Installation et configuration

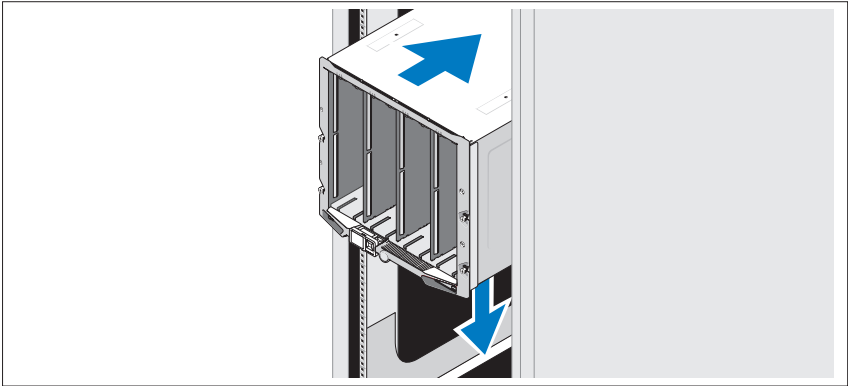
⚠ AVERTISSEMENT : Avant d'exécuter la procédure ci-dessous, lisez les consignes de sécurité fournies avec le système.

Cette section décrit les étapes à exécuter lors de la configuration initiale du système.

Déballage du système

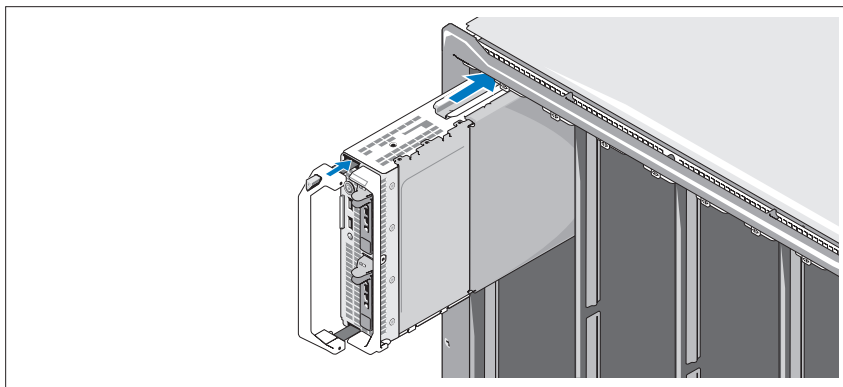
Sortez le système de son emballage et identifiez chaque élément.

Installation des rails et du système dans un rack



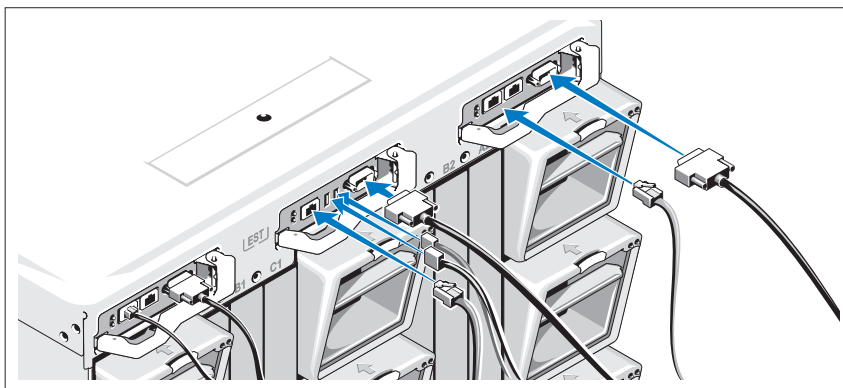
Assemblez les rails et installez le système dans le rack en suivant les consignes de sécurité et les instructions d'installation du rack fournies avec votre boîtier.

Installation des lames



Insérez les modules dans le boîtier en commençant par le haut et en procédant de gauche à droite. Lorsqu'une lame est correctement installée, la poignée revient en position fermée.

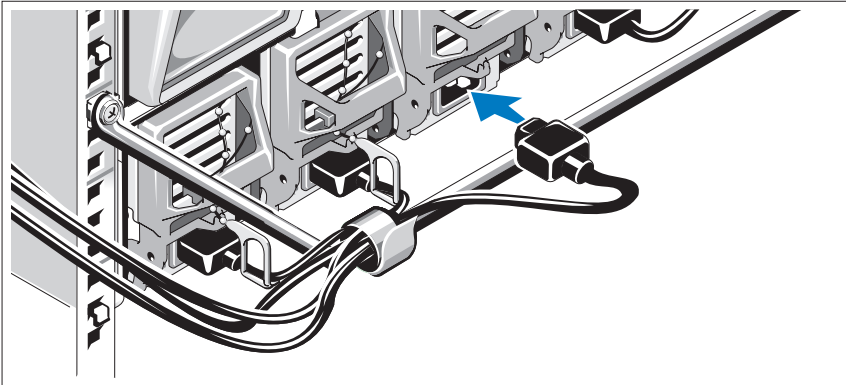
Connexion des modules CMC et KVM



Connectez le câble série et le ou les câbles réseau du système de gestion au module CMC. Si un second module CMC en option est installé, connectez-le également.

Connectez le clavier, la souris et l'écran au module iKVM en option.

Branchement du système sur le secteur



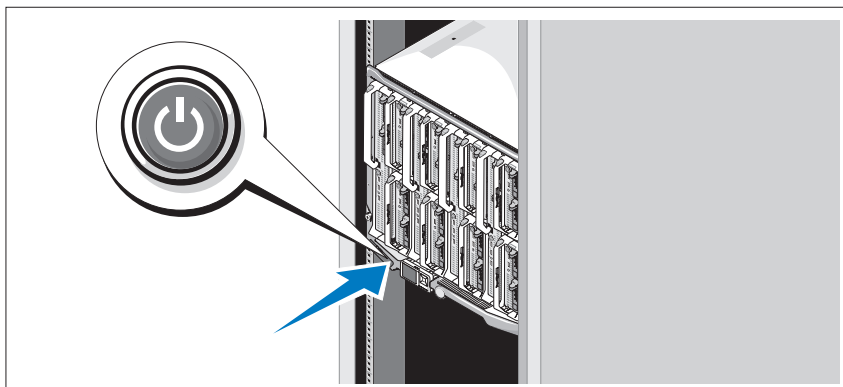
Branchez les câbles d'alimentation du système aux blocs d'alimentation de celui-ci.

△ PRÉCAUTION : Pour éviter que les câbles d'alimentation ne soient débranchés accidentellement, utilisez le clip en plastique situé sur chaque bloc d'alimentation pour y fixer le câble. Utilisez également la bande Velcro permettant de maintenir le câble sur la barre de retenue.

Branchez l'autre extrémité des câbles d'alimentation dans une unité de distribution d'alimentation.

△ PRÉCAUTION : Ne branchez pas les câbles d'alimentation directement sur une prise de courant. Il est impératif d'utiliser une unité de distribution d'alimentation. Pour un fonctionnement optimal du système, utilisez au moins trois blocs d'alimentation.

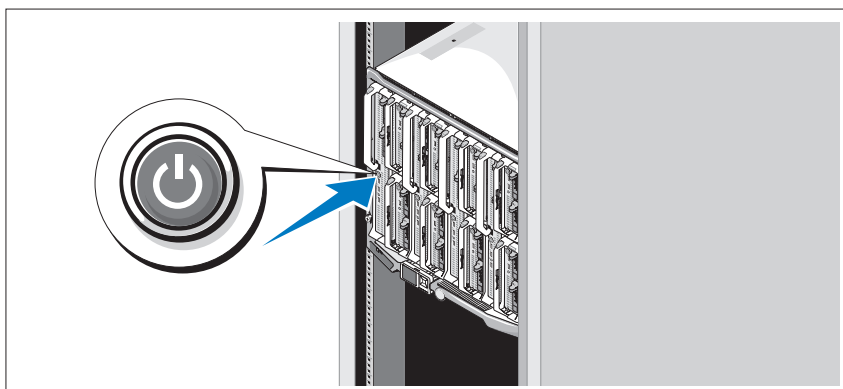
Mise sous tension du système



Appuyez sur le bouton d'alimentation du boîtier. Le voyant d'alimentation doit s'allumer.

REMARQUE : Une fois le système connecté aux blocs d'alimentation, un court laps de temps peut s'écouler avant que vous ne puissiez le mettre sous tension.

Mise sous tension des lames



Mettez chaque lame sous tension en appuyant sur son bouton d'alimentation ou en utilisant le logiciel de gestion des systèmes.

Finalisation de l'installation du système d'exploitation

Si vous avez acheté un système d'exploitation préinstallé, consultez la documentation connexe fournie avec le système. Pour une première installation du système d'exploitation, consultez la documentation relative à l'installation et à la configuration de votre système d'exploitation. Veillez à installer le système d'exploitation avant tout élément matériel ou logiciel acheté séparément.

Systèmes d'exploitation pris en charge

| Système d'exploitation | M915 | M910 | M905 | M805 | M710 | M710HD | M610 | M610x | M605 |
|--|------|------|------|------|------|--------|------|-------|------|
| Citrix XenServer 5.5 | | | ✓ | ✓ | ✓ | | ✓ | | ✓ |
| Citrix XenServer 5.6 | ✓ | ✓ | ✓ | ✓ | ✓ | ✓ | ✓ | ✓ | ✓ |
| Microsoft Windows Server 2008 Hyper-V Server | ✓ | ✓ | | | | ✓ | | | |
| Microsoft Windows Essential Business Server 2008, éditions Standard et Premium | | ✓ | | | | ✓ | | ✓ | |
| Microsoft Windows HPC Server 2008 (x64) | ✓ | ✓ | | | | | | ✓ | |
| Microsoft Windows Server 2008, éditions Standard et Enterprise (x86) | | ✓ | | | ✓ | ✓ | ✓ | ✓ | |
| Microsoft Windows Web Server édition 2008 (x86) | | ✓ | | | ✓ | ✓ | ✓ | | |
| Microsoft Windows Web Server édition 2008 (x86) avec SP2 | | ✓ | | | | | | | |

| Système d'exploitation | M915 | M910 | M905 | M805 | M710 | M710HD | M610 | M610x | M605 |
|---|-------------|-------------|-------------|-------------|-------------|---------------|-------------|--------------|-------------|
| Microsoft Windows Server 2008, éditions Standard et Enterprise (x86) avec SP2 | | ✓ | | | | ✓ | | ✓ | |
| Microsoft Windows Server 2008, éditions Standard, Enterprise et Datacenter (x64) | | ✓ | ✓ | ✓ | ✓ | | ✓ | ✓ | |
| Microsoft Windows Web Server édition 2008 (x64) | | ✓ | | | ✓ | | ✓ | ✓ | |
| Microsoft Windows Web Server édition 2008 (x64) avec SP2 | ✓ | ✓ | | | | ✓ | | ✓ | |
| Microsoft Windows Server 2008 R2, éditions Standard, Enterprise et Datacenter (x64) | ✓ | ✓ | | | | ✓ | | ✓ | |
| Microsoft Windows Server 2003, éditions Standard et Enterprise | | | | | | | | | ✓ |
| Microsoft Windows Server 2003, édition Web | | ✓ | | | | | | ✓ | ✓ |
| Microsoft Windows Server 2003, éditions Standard, Enterprise et Web, avec SP1 et version ultérieure | | | | | | | | | ✓ |
| Microsoft Windows Server 2003 R2, éditions Standard et Enterprise (x86) | | ✓ | ✓ | ✓ | ✓ | | ✓ | ✓ | ✓ |
| Microsoft Windows Server 2003, éditions Standard et Enterprise (x64) | | | | | | | | | ✓ |

| Système d'exploitation | M915 | M910 | M905 | M805 | M710 | M710HD | M610 | M610x | M605 |
|--|-------------|-------------|-------------|-------------|-------------|---------------|-------------|--------------|-------------|
| Microsoft Windows Server 2003 R2, éditions Standard et Enterprise (x64) | | | ✓ | ✓ | ✓ | | ✓ | ✓ | ✓ |
| Microsoft Windows Server 2003 R2, édition Datacenter (x64) | | | | | ✓ | | ✓ | ✓ | |
| Microsoft Windows Server 2003 R2, éditions Standard, Enterprise et Datacenter (x64) avec SP2 | | ✓ | | | | | | | |
| Red Hat Enterprise Linux AS, ES et WS (version 4.0), mise à jour 5 (x86) | | | ✓ | ✓ | | | | | ✓ |
| Red Hat Enterprise Linux AS, ES et WS (version 4.0), mise à jour 5 (x86_64) | | | ✓ | ✓ | | | | | ✓ |
| Red Hat Enterprise Linux AS et ES (version 4.7) (x86) | | | | | ✓ | | ✓ | | |
| Red Hat Enterprise Linux AS et ES (version 4.7) (x86_64) | | | | | ✓ | | ✓ | | |
| Red Hat Enterprise Linux AS et ES (version 4.8) (x86) | | | | | | ✓ | | ✓ | |
| Red Hat Enterprise Linux AS et ES (version 4.8) (x86_64) | | | | | | ✓ | | ✓ | |
| Red Hat Enterprise Linux (version 5.0) (x86) | | | ✓ | ✓ | | ✓ | | | ✓ |

| Système d'exploitation | M915 | M910 | M905 | M805 | M710 | M710HD | M610 | M610x | M605 |
|---|-------------|-------------|-------------|-------------|-------------|---------------|-------------|--------------|-------------|
| Red Hat Enterprise Linux (version 5.0) (x86_64) | | | ✓ | ✓ | ✓ | ✓ | | | ✓ |
| Red Hat Enterprise Linux (version 5.2) (x86) | | | | | ✓ | | | | |
| Red Hat Enterprise Linux (version 5.5) (x86) | ✓ | | | | | ✓ | | ✓ | |
| Red Hat Enterprise Linux (version 5.5) (x86_64) | ✓ | | | | | ✓ | | ✓ | |
| Red Hat Enterprise Linux (version 6.0) (x86_64) | ✓ | | | | | | | | |
| SUSE Linux Enterprise Server 10 (x86_64) | | | ✓ | ✓ | ✓ | | | | ✓ |
| SUSE Linux Enterprise Server 10 (x86_64) SP3 | ✓ | ✓ | | | | ✓ | | ✓ | |
| SUSE Linux Enterprise Server 11 (x86_64) | ✓ | ✓ | | | | ✓ | | ✓ | |
| Solaris 10 (x86_64) | | ✓ | ✓ | ✓ | ✓ | ✓ | ✓ | | ✓ |
| VMware ESX Version 3.0 | | | ✓ | ✓ | ✓ | | ✓ | | |
| VMware ESX version 3.0.2, mise à jour 1 | | | | | | | | | ✓ |
| VMware ESX version 3.5 | | | ✓ | ✓ | ✓ | | ✓ | | |

| Système d'exploitation | M915 | M910 | M905 | M805 | M710 | M710HD | M610 | M610x | M605 |
|--|------|------|------|------|------|--------|------|-------|------|
| VMware ESX version 4.0, mise à jour 1 | | ✓ | | | | ✓ | | ✓ | |
| VMware ESXi version 4.0, mise à jour 1 | | ✓ | | | | ✓ | | ✓ | |
| VMware ESX version 4.0, mise à jour 2 | ✓ | | | | | | | | |
| VMware ESXi version 4.0, mise à jour 2 | ✓ | | | | | | | | |
| VMware ESX version 4.1, mise à jour 1 | ✓ | | | | | | | | |
| VMware ESXi version 4.1, mise à jour 1 | ✓ | | | | | | | | |

✓—Pris en charge



REMARQUE : Pour obtenir les informations les plus récentes sur les systèmes d'exploitation pris en charge pour tous les systèmes PowerEdge, consultez la page à l'adresse dell.com/ossupport.

Autres informations utiles



AVERTISSEMENT : Avant d'exécuter la procédure ci-dessous, lisez les consignes de sécurité fournies avec le système.

- Le *Guide de configuration* fournit des informations sur la configuration du boîtier du système et des lames.
- Les *Instructions d'installation du rack*, fournies avec le rack, indiquent comment installer le système dans un rack.
- Le *Manuel du propriétaire du matériel* présente les fonctionnalités du système et contient des informations de dépannage ainsi que des instructions d'installation ou de remplacement des composants du système.

- La documentation relative aux applications de gestion des systèmes Dell fournit des informations sur l'installation et l'utilisation du logiciel de gestion des systèmes.



REMARQUE : Vérifiez toujours si des mises à jour sont disponibles sur le site support.dell.com/manuals et lisez-les en premier, car elles remplacent souvent les informations que contiennent les autres documents.

Obtention d'une assistance technique

Si vous ne comprenez pas une procédure décrite dans ce guide ou si le système ne fonctionne pas comme prévu, voir le *Manuel du propriétaire du matériel*. Dell offre une formation complète avec certification sur le matériel. Consultez la page dell.com/training pour de plus amples informations. Ce service n'est disponible que dans certains pays.

Caractéristiques techniques

Spécifications des lames

Processeur

Type de processeur

| | |
|-------------------------------------|---|
| PowerEdge M915 | Deux ou quatre processeurs AMD Opteron série 6000 (à huit ou douze cœurs) |
| PowerEdge M910 | Deux ou quatre processeurs Intel Xeon série 7000 (jusqu'à 8 cœurs) |
| PowerEdge M905 | Quatre processeurs AMD Opteron série 8000 double-cœur ou quadruple- cœur |
| PowerEdge M805 | Deux processeurs AMD Opteron série 2000 double-cœur ou quadruple-cœur |
| PowerEdge M710HD, M710, M610x, M610 | Un ou deux processeurs Intel Xeon série 5000, à deux, quatre ou six cœurs |
| PowerEdge M605 | Un ou deux processeurs AMD Opteron série 2000 double-cœur ou quadruple-cœur |
| PowerEdge M600 | Un ou deux processeurs Intel Xeon double-cœur ou quadruple-cœur |

Mémoire

Architecture

| | |
|-----------------------------|---|
| PowerEdge M915 | DIMM enregistrées (RDIMM) VL, de type DDR3 à simple, double ou quadruple rangée cadencées à 1333 MHz |
| PowerEdge M910 | Barrettes de mémoire DDR3, cadencées à 1066 MHz |
| PowerEdge M905, M805, M605 | Barrettes de mémoire DDR2, cadencées à 677 MHz |
| PowerEdge M710HD | Barrettes de mémoire DDR3 et DDR3L à simple, double et quadruple rangée, cadencées à 1066 et 1333 MHz |
| PowerEdge M710 M610x, M610, | DIMM enregistrées (RDIMM) ou DIMM sans tampon (UDIMM), de type DDR3 à simple ou double rangée cadencées à 800, 1066 ou 1333 MHz ou DIMM enregistrées (RDIMM) ou DIMM sans tampon (UDIMM), de type DDR3 à quadruple rangée cadencées à 800 ou 1066 MHz |
| PowerEdge M600 | Barrettes de mémoire FBD, cadencées à 677 MHz |

Connecteurs de barrettes de mémoire

| | |
|------------------------|------------------------------|
| PowerEdge M915, M910 | 32 connecteurs à 240 broches |
| PowerEdge M905 | 24 connecteurs à 240 broches |
| PowerEdge M805 | 16 connecteurs à 240 broches |
| PowerEdge M710HD, M710 | 18 connecteurs à 240 broches |
| PowerEdge M610x, M610 | 12 connecteurs à 240 broches |
| PowerEdge M605, M600 | 8 connecteurs à 240 broches |

Capacité des barrettes de mémoire

| | |
|----------------------|---|
| PowerEdge M915 | DIMM LV de 1 Go, 2 Go, 4 Go, 8 Go, et 16 Go |
| PowerEdge M910 | RDIMM de 1 Go, 2 Go, 4 Go, 8 Go et 16 Go |
| PowerEdge M905, M805 | 1 Go, 2 Go, 4 Go et 8 Go |

Mémoire (suite)

| | |
|-----------------------------|---|
| PowerEdge M710HD | RDIMM et DIMM LV de 1 Go, 2 Go, 4 Go, 8 Go et 16 Go |
| PowerEdge M710, M610x, M610 | RDIMM et DIMM LV de 2 Go, 4 Go, 8 Go et 16 Go ; UDIMM de 1 Go et 2 Go |
| PowerEdge M605, M600 | 512 Mo, 1 Go, 2 Go, 4 Go et 8 Go |

RAM minimale

| | |
|-----------------------------|--|
| PowerEdge M915 | 8 Go |
| PowerEdge M910 | 4 Go |
| PowerEdge M905 | 8 Go (huit barrettes de mémoire de 1 Go) |
| PowerEdge M805 | 4 Go (quatre barrettes de mémoire de 1 Go) |
| PowerEdge M710D | 4 Go |
| PowerEdge M710, M610x, M610 | Une barrette de mémoire de 1 Go (systèmes à processeur unique) ou deux barrettes de mémoire de 1 Go (systèmes à processeurs doubles) |
| PowerEdge M605, M600 | 1 Go (deux barrettes de mémoire de 512 Mo) |

RAM maximale

| | |
|-------------------------|--|
| PowerEdge M915 | 512 Go |
| PowerEdge M910 | 512 Go |
| PowerEdge M905 | 192 Go |
| PowerEdge M805 | 128 Go |
| PowerEdge M710HD | 288 Go |
| PowerEdge M710 | 288 Go (18 RDIMM de 16 Go) ; 36 Go (18 UDIMM de 2 Go) |
| PowerEdge M610x M610 | 192 Go (douze RDIMM de 16 Go) ; 24 Go (douze UDIMM de 2 Go) |
| PowerEdge M605, M600 | 64 Go |

Lecteurs

Disques Durs

| | |
|-----------------------------|---|
| PowerEdge M915, M910 | Prise en charge d'un ou de deux disques durs SAS 2,5 pouces via un adaptateur de stockage RAID de valeur ou haute performance. <i>ou</i> Prise en charge d'un ou de deux disques durs SSD 2,5 pouces via un adaptateur de stockage RAID de valeur ou haute performance. |
| PowerEdge M905, M805 | Prise en charge d'un ou de deux disques durs SAS 2,5 pouces via un adaptateur de stockage RAID de valeur ou haute performance. |
| PowerEdge M710HD | Prise en charge d'un ou de deux disques durs SAS 2,5 pouces via un contrôleur de stockage intégré PERC H200. <i>ou</i> Prise en charge d'un ou de deux disques durs SSD 2,5 pouces via un contrôleur de stockage intégré PERC H200. |
| PowerEdge M710 | Prise en charge d'un à quatre disques durs SAS 2,5 pouces via un adaptateur de stockage RAID de valeur ou haute performance. |
| PowerEdge M600, M610x, M610 | Prise en charge d'un disque dur SATA 2,5 pouces via un adaptateur de stockage non-RAID, RAID de valeur ou RAID haute performance. <i>ou</i> Prise en charge de deux disques durs SATA 2,5 pouces via un adaptateur de stockage RAID de valeur ou haute performance. <i>ou</i> Prise en charge d'un disque dur SSD via un adaptateur de stockage non-RAID. <i>ou</i> Prise en charge d'un ou de deux disques durs SAS via un adaptateur de stockage RAID de valeur ou haute performance. |

Lecteurs *(suite)*

PowerEdge M605

Prise en charge d'un ou de deux disques durs SATA via un adaptateur de stockage RAID de valeur ou haute performance.

ou

Prise en charge d'un ou de deux disques durs SSD via un adaptateur de stockage non-RAID.

ou

Prise en charge d'un ou de deux disques durs SAS via un adaptateur de stockage RAID de valeur ou haute performance.

REMARQUE : Dans tous les systèmes modulaires, il n'est pas possible de combiner des disques durs SAS et SATA au sein d'une même lame.

REMARQUE : L'ajout et le retrait à chaud des disques sont pris en charge si une carte de contrôleur RAID en option est installée.

Connecteurs

Externe

USB

PowerEdge M910, M905, M805, M710 Trois connecteurs à 4 broches, compatibles USB 2.0

PowerEdge M710HD, M610x, M610, M605, M600 Deux connecteurs à 4 broches, compatibles USB 2.0

Connecteurs *(suite)*

Interne

| | |
|--|---|
| Module Secure Digital (SD) interne (PowerEdge M915, M910, M905, M805, M710HD, M710, M610x, M610) | Un logement pour carte mémoire flash, en option, avec le module interne SD. |
| Module Secure Digital (SD) VFlash interne (PowerEdge M915, M910, M710HD, M710, M610x, M610) | Un logement pour carte mémoire VFlash, en option, pour une utilisation avec iDRAC Enterprise. |
| Clé USB (PowerEdge M915, M910, M710HD, M710, M610x, M610) | Un connecteur interne pour clé USB. |

Solution d'extension PCIe

| | |
|-----------------|---|
| PowerEdge M610x | Prend en charge deux cartes à largeur simple ou une carte à double largeur PCIe standard pleine longueur. |
|-----------------|---|

Cartes mezzanine

| | |
|----------------------|---|
| PowerEdge M915, M910 | Jusqu'à quatre logements de carte mezzanine PCIe x8 2ème génération, prenant en charge des cartes mezzanine à double port Ethernet Gigabit, Ethernet 10 Gigabits, Fibre Channel FC8 ou Infiniband. |
| PowerEdge M905, M805 | Jusqu'à quatre logements de carte mezzanine PCIe x8 1ère génération, prenant en charge des cartes mezzanine à double port Ethernet Gigabit, Ethernet 10 Gigabits, Fibre Channel FC8 ou FC4 ou Infiniband DDR 4x. |
| PowerEdge M710HD | Jusqu'à deux logements de carte mezzanine PCIe x8 2ème génération, prenant en charge des cartes mezzanine à double et quadruple port Ethernet Gigabit, Ethernet 10 Gigabits, Fibre Channel FC8 ou FC4 ou Infiniband DDR 4x. |

Cartes mezzanine (suite)

PowerEdge M710 Jusqu'à quatre logements de carte mezzanine PCIe 2ème génération (trois emplacements x8 et un emplacement x4), prenant en charge des cartes mezzanine à double port Ethernet Gigabit, Ethernet 10 Gigabits, Fibre Channel FC8 ou FC4 ou Infiniband DDR 4x.

PowerEdge M610x, M610 Jusqu'à deux logements de carte mezzanine PCIe x8 2ème génération, prenant en charge des cartes mezzanine à double port Ethernet Gigabit, Ethernet 10 Gigabits, Fibre Channel FC8 ou FC4 (M610 uniquement) ou Infiniband DDR 4x.

PowerEdge M605, M600 Jusqu'à deux logements de carte mezzanine PCIe x8, prenant en charge des cartes mezzanine à double port Ethernet Gigabit, Ethernet 10 Gigabits, Fibre Channel FC8 ou FC4 ou Infiniband DDR 4x.

Contrôleurs Ethernet intégrés

PowerEdge M915, M910, M905, M805, M710HD, M710 Quatre ports Ethernet avec prise en charge d'amorçage TOE et iSCSI, assurée par deux contrôleurs intégrés Ethernet Broadcom 5709S à double port.

PowerEdge M610x, M610 Deux ports Ethernet avec prise en charge d'amorçage TOE et iSCSI, assurée par un contrôleur intégré Ethernet Broadcom 5709S à double port.

PowerEdge M605, M600 Deux ports Ethernet avec prise en charge d'amorçage TOE et iSCSI, assurée par deux contrôleurs intégrés Broadcom 5708S.

Contrôleur vidéo

PowerEdge M905, M805, M605, M600 Contrôleur vidéo ATI RN50. Mémoire vidéo de 32 Mo

PowerEdge M915, M910, M710HD, M710, M610x, M610 Contrôleur vidéo Matrox G200. Mémoire vidéo de 8 Mo

Caractéristiques physiques

PowerEdge M915

| | |
|--------------------------------|-----------------------|
| Hauteur | 38,5 cm (15,2 pouces) |
| Largeur | 5 cm (2 pouces) |
| Profondeur | 48,6 cm (19,2 pouces) |
| Poids (configuration maximale) | 12,7 kg (28 livres) |

PowerEdge M910

| | |
|--------------------------------|-----------------------|
| Hauteur | 38,5 cm (15,2 pouces) |
| Largeur | 5 cm (2 pouces) |
| Profondeur | 48,6 cm (19,2 pouces) |
| Poids (configuration maximale) | 13,1 kg (29 livres) |

PowerEdge M905, M805,
M710, M610x

| | |
|--------------------------------|-----------------------|
| Hauteur | 38,5 cm (15,2 pouces) |
| Largeur | 5 cm (2 pouces) |
| Profondeur | 48,6 cm (19,2 pouces) |
| Poids (configuration maximale) | 11,1 kg (24,5 livres) |

PowerEdge M710HD

| | |
|--------------------------------|-----------------------|
| Hauteur | 18,9 cm (7,4 pouces) |
| Largeur | 5 cm (2 pouces) |
| Profondeur | 48,6 cm (19,2 pouces) |
| Poids (configuration maximale) | 7,4 kg (16,3 livres) |

PowerEdge M605, M600

| | |
|--------------------------------|-----------------------------|
| Hauteur | 18,9 cm (7,4 pouces) |
| Largeur | 5 cm (2 pouces) |
| Profondeur | 48,6 cm (19,2 pouces) |
| Poids (configuration maximale) | 5,2–6,4 kg (11,5-14 livres) |

Pile

| | |
|---------------------------------|--------------------------------------|
| Batterie de sauvegarde NVRAM | Pile bouton au lithium CR 2032 (3 V) |
|---------------------------------|--------------------------------------|

Spécifications du boîtier

Caractéristiques physiques

| | |
|--------------------------------|-------------------------|
| Hauteur | 44 cm (17,3 pouces) |
| Largeur | 44,7 cm (17,6 pouces) |
| Profondeur | 75,5 cm (29,7 pouces) |
| Poids (configuration maximale) | 178,3 kg (392,2 livres) |
| Poids (vide) | 44,6 kg (98,1 livres) |

Bloc d'alimentation

Bloc d'alimentation en CA/CC (selon la tension en vigueur)

| | |
|---------------------------------|--|
| Puissance | 2360 W et 2700 W |
| Connecteur | IEC C20 |
| Dissipation thermique | 1205 BTU/h. maximum |
| Appel de courant maximal | Dans des conditions de ligne normales et dans les limites de la température ambiante de fonctionnement du système, le courant d'appel peut atteindre 55 A par bloc d'alimentation pendant un maximum de 10 ms. |
| Tension requise pour le système | 14,4 A, 200–240 VCA, 50/60 Hz |

Module Avocent iKVM en option

Connecteurs accessibles de l'extérieur

| | |
|----------|---|
| USB | Deux connecteurs compatibles USB 2.0 à 4 broches pour le branchement d'un clavier et d'une souris |
| Port ACI | RJ-45 |
| Vidéo | VGA à 15 broches |

Module CMC (Contrôleur de gestion de châssis)

Connecteurs accessibles de l'extérieur

| | |
|--------------------|--|
| Gestion à distance | Deux connecteurs RJ-45 10/100/1000 Mo dédiés (pour le contrôleur d'accès à distance Ethernet intégré). Le port Gb est utilisé pour la connexion au réseau de gestion externe. Le port STK permet de relier en série des contrôleurs CMC installés dans des boîtiers adjacents. |
| Série | Un connecteur DTE à 9 broches, compatible 16550 |
| Vidéo | Un connecteur VGA à 15 broches |
| Pile | Pile bouton au lithium-ion CR 2032 (3 V) |

Panneau de commande du boîtier

Connecteurs accessibles de l'extérieur

| | |
|-------|---|
| USB | Deux connecteurs compatibles USB 2.0 à 4 broches pour le branchement d'un clavier et d'une souris |
| Vidéo | Un connecteur VGA à 15 broches |

Écran LCD

| | |
|-----------------|---|
| Fonctionnalités | Quatre touches de commande du curseur, une touche de sélection, et un écran LCD |
|-----------------|---|

Conditions environnementales

REMARQUE : Pour plus d'informations concernant les mesures environnementales liées à différentes configurations spécifiques, consultez la page à l'adresse dell.com/environmental_datasheets. Le système n'est pas conçu pour être utilisé dans un bureau.

Température

| | |
|-------------------|--|
| En fonctionnement | de 10°C à 35°C (de 50°F à 95°F) REMARQUE : Au dessus de 900 m (2955 pieds), réduisez la température maximale de 1°C (1.8°F) par 300 m (985 pieds). |
| Stockage | de -40°C à 65°C (de -40°F à 149°F) |

Conditions environnementales (suite)

Humidité relative

| | |
|-------------------|--|
| En fonctionnement | 20% à 80% (sans condensation) à une température de condensation maximale de 29 °C (84,2°F) |
| Stockage | 5% à 95% (sans condensation) à une température de condensation maximale de 38°C (100,4°F) |

Tolérance maximale aux vibrations

| | |
|-------------------|---|
| En fonctionnement | 0,26 Grms avec un balayage de 10 à 350 Hz pendant 15 mn |
| Stockage | 1,54 Grms avec un balayage de 10 à 250 Hz pendant 15 mn |

Choc maximal

| | |
|-------------------|---|
| En fonctionnement | Une impulsion de choc de 41 G pendant un maximum de 2 ms sur l'axe z positif (une impulsion de chaque côté du système) |
| Stockage | Six chocs consécutifs de 71 G pendant un maximum de 2 ms en positif et négatif sur les axes x, y et z (une impulsion de chaque côté du système) |

Altitude

| | |
|-------------------|---|
| En fonctionnement | de -15,2 m à 3 048 m (de -50 pieds à 10 000 pieds) |
| Stockage | de -15,2 m à 10 600 m (de -50 pieds à 35 000 pieds) |

Niveau des contaminants en suspension dans l'air

| | |
|--------|-----------------------------------|
| Classe | G1 selon la norme ISA-S71.04-1985 |
|--------|-----------------------------------|

Spécifications des modules d'E/S

Pour plus d'informations sur les modules d'E/S et les modules de passerelle pris en charge sur votre boîtier, consultez le guide *Dell PowerEdge M1000e Systems Configuration Guide* (Guide de configuration des systèmes Dell PowerEdge M1000e), à l'adresse support.dell.com/manuals.

Dell PowerEdge
M1000e, M915, M910, M905,
M805, M710HD, M710, M610x,
M610, M605 und M600

Erste Schritte mit dem System



Anmerkungen, Vorsichtshinweise und Warnungen



ANMERKUNG: Eine ANMERKUNG macht auf wichtige Informationen aufmerksam, mit denen Sie den Computer besser einsetzen können.



VORSICHTSHINWEIS: Ein VORSICHTSHINWEIS macht darauf aufmerksam, dass bei Nichtbefolgung von Anweisungen eine mögliche Beschädigung der Hardware oder ein Verlust von Daten droht.



WARNUNG: Durch eine WARNUNG werden Sie auf Gefahrenquellen hingewiesen, die materielle Schäden, Verletzungen oder sogar den Tod von Personen zur Folge haben können.

Änderungen der Informationen in dieser Publikation sind vorbehalten.

© 2010 Dell Inc. Alle Rechte vorbehalten.

Die Vervielfältigung oder Wiedergabe dieser Materialien in jeglicher Weise ohne vorherige schriftliche Genehmigung von Dell Inc. ist strengstens untersagt.

In diesem Text verwendete Markenzeichen: Dell™, das DELL logo, und PowerEdge™ sind Markenzeichen von Dell Inc. Citrix™ und XenServer® sind eingetragene Markenzeichen oder Markenzeichen von Citrix Systems, Inc. und/oder einer oder mehrerer seiner Tochtergesellschaften und können beim US-Patent- und Markenamt und in anderen Ländern eingetragen sein. Intel® ist ein eingetragenes Markenzeichen der Intel Corporation in den USA und anderen Ländern. Microsoft®, Windows® und Windows Server® sind entweder Markenzeichen, oder eingetragene Markenzeichen der Microsoft Corporation in den USA und/oder anderen Ländern. Red Hat® und Red Hat Enterprise Linux® sind eingetragene Markenzeichen von Red Hat, Inc. in den USA und anderen Ländern. SUSE® ist ein eingetragenes Markenzeichen von Novell, Inc. in den USA und anderen Ländern. VMware® ist ein eingetragenes Markenzeichen oder Markenzeichen (die „Marken“) von VMware, Inc. in den USA und/oder anderen Gerichtsbarkeiten. Solaris™ ist ein eingetragenes Markenzeichen von Sun Microsystems, Inc. in den USA und anderen Ländern.

Andere möglicherweise in diesem Dokument verwendete Markenzeichen und Handelsbezeichnungen beziehen sich auf die entsprechenden Eigentümer oder deren Produkte. Dell Inc. erhebt keinen Anspruch auf Markenzeichen und Handelsbezeichnungen mit Ausnahme der eigenen.

Modell BMX01, Reihe HHB, Reihe FHB

Dezember 2010 Teilnr. YCFM1 Rev. A00

Installation und Konfiguration

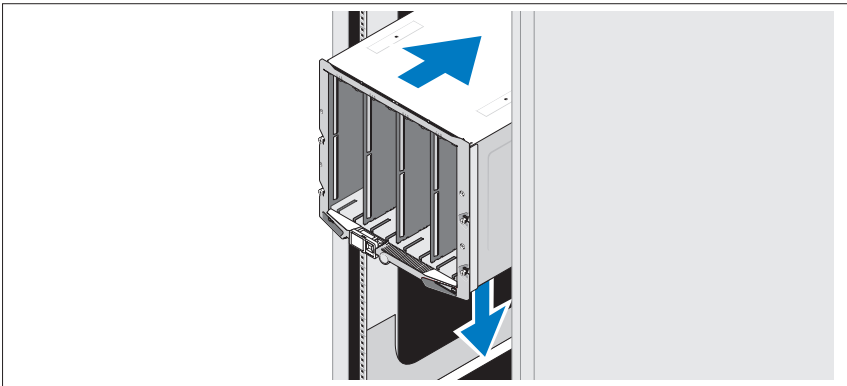
! **WARNUNG:** Lesen Sie vor dem Ausführen der folgenden Schritte die Sicherheitshinweise für das System.

In diesem Abschnitt ist die erstmalige Einrichtung des Systems beschrieben.

Auspacken des Systems

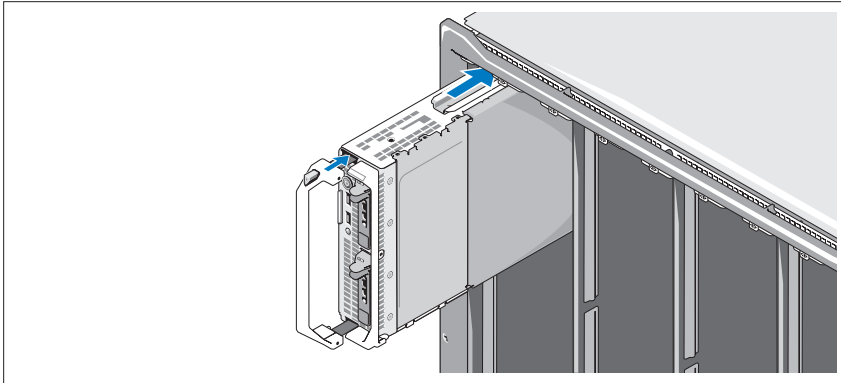
Nehmen Sie das System aus der Verpackung und identifizieren Sie die einzelnen Komponenten.

Installation der Schienen und des Systems in einem Rack



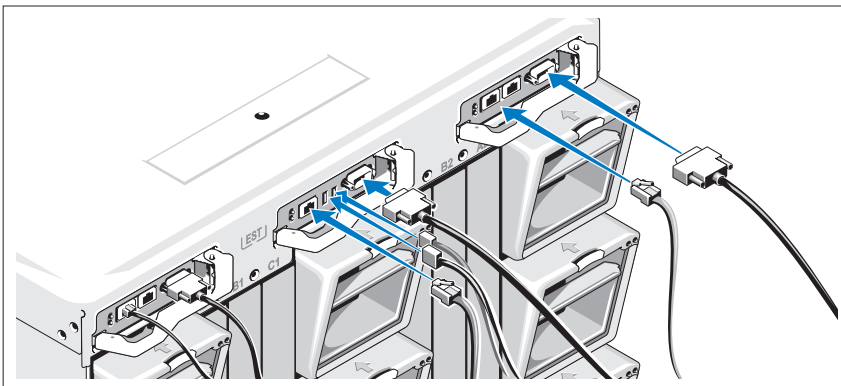
Lesen Sie vor der Montage der Schienen und der Installation des Systems zunächst die Sicherheitshinweise sowie die Rack-Montageanweisungen, die im Lieferumfang des Gehäuses enthalten sind.

Installation der Blades



Beginnen Sie oben mit dem Einsetzen der Module, und schieben Sie sie von links nach rechts in das Gehäuse. Wenn das Blade korrekt im Gehäuse installiert ist, kehrt der Griff in die geschlossene Position zurück.

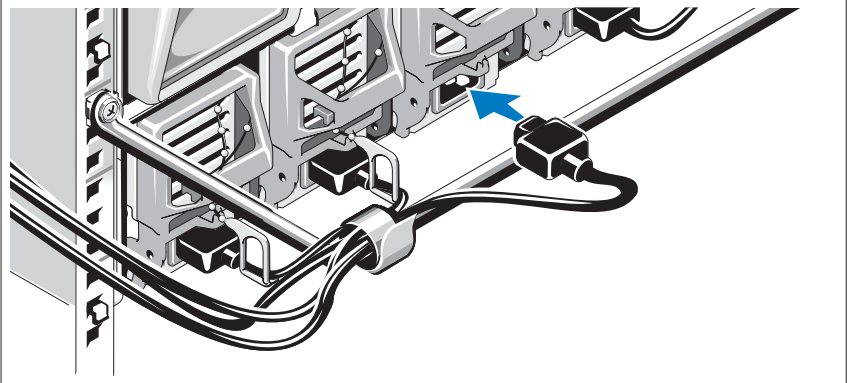
Anschließen des CMC- und des KVM-Moduls



Verbinden Sie das serielle Kabel und das bzw. die Netzkabel vom Verwaltungssystem mit dem CMC-Modul. Wenn ein optionales zweites CMC-Modul installiert ist, schließen Sie es ebenfalls an.

Schließen Sie Tastatur, Maus und Bildschirm an das optionale iKVM-Modul an.

Anschließen des Systems an die Stromversorgung



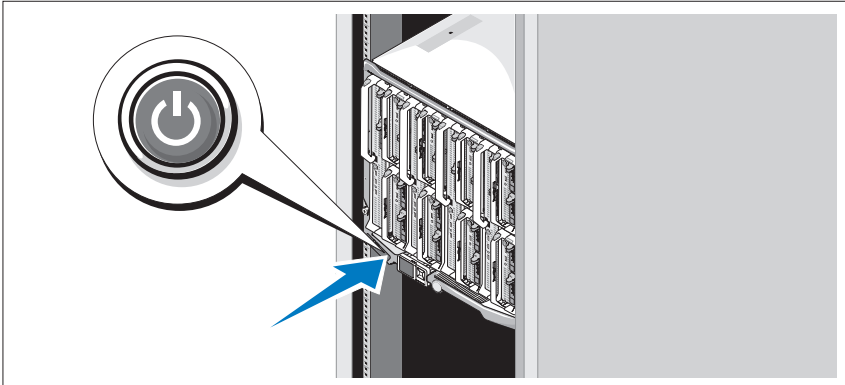
Verbinden Sie die Netzstromkabel mit den Systemnetzteilen.

- △ **VORSICHTSHINWEIS:** Befestigen Sie jedes Netzstromkabel in der Kunststoffklammer am Netzteil und mit dem Klettstreifen am Zementlastungsbügel, damit sich das Kabel nicht versehentlich lösen kann.

Verbinden Sie das andere Ende der Netzstromkabel mit einem Stromverteiler (PDU).

- △ **VORSICHTSHINWEIS:** Schließen Sie die Netzstromkabel nicht direkt an einer Steckdose an; Sie müssen einen Stromverteiler verwenden. Um eine optimale Systemfunktion zu erreichen, sind mindestens drei Netzteile erforderlich.

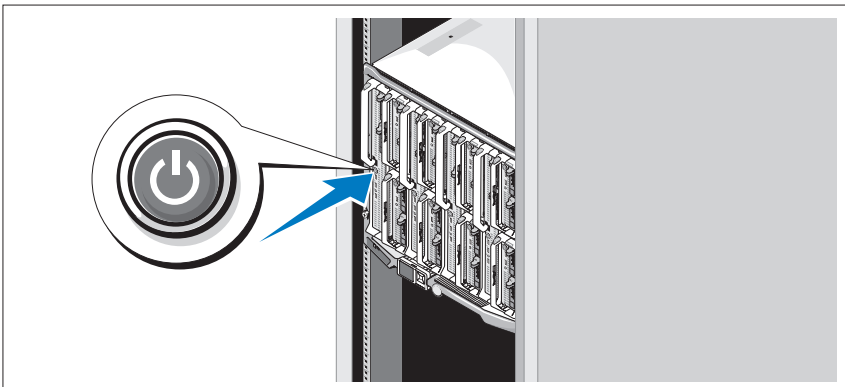
Einschalten des Systems



Drücken Sie den Netzschalter am Gehäuse. Daraufhin sollte die Betriebsanzeige aufleuchten.

ANMERKUNG: Wenn Sie das System an die Netzteile angeschlossen haben, kann es zu einer kurzen Verzögerung kommen, bis Sie das System einschalten können.

Einschalten der Blades



Drücken Sie an jedem Blade den Netzschalter, oder schalten Sie die Module über die Systemverwaltungssoftware ein.

Abschließen des Betriebssystem-Setups

Wenn das Betriebssystem vorinstalliert ist, lesen Sie die zusammen mit dem System gelieferte Dokumentation zum Betriebssystem. Wenn Sie das Betriebssystem erstmals installieren, finden Sie weitere Hinweise in der Dokumentation zur Installation und Konfiguration Ihres Betriebssystems. Das Betriebssystem muss installiert sein, bevor Sie andere nicht zusammen mit dem System erworbene Hardware oder Software installieren.

Unterstützte Betriebssysteme

| Betriebssystem | M915 | M910 | M905 | M805 | M710 | M710HD | M610 | M610x | M605 |
|---|------|------|------|------|------|--------|------|-------|------|
| Citrix XenServer 5.5 | | | ✓ | ✓ | ✓ | | ✓ | | ✓ |
| Citrix XenServer 5.6 | ✓ | ✓ | ✓ | ✓ | ✓ | ✓ | ✓ | ✓ | ✓ |
| Microsoft Windows Server 2008 Hyper-V Server | ✓ | ✓ | | | | ✓ | | | |
| Microsoft Windows Essential Business Server 2008 Standard und Premium Editionen | | ✓ | | | | ✓ | | ✓ | |
| Microsoft Windows HPC Server 2008 (x64) | ✓ | ✓ | | | | | | ✓ | |
| Microsoft Windows Server 2008 Standard und Enterprise (x86) Editionen | | ✓ | | | ✓ | ✓ | ✓ | ✓ | |
| Microsoft Windows Web Server 2008 (x86) Edition | | ✓ | | | ✓ | ✓ | ✓ | | |
| Microsoft Windows Web Server 2008 (x86) Edition mit SP2 | | ✓ | | | | | | | |

| Betriebssystem | M915 | M910 | M905 | M805 | M710 | M710HD | M610 | M610x | M605 |
|--|------|------|------|------|------|--------|------|-------|------|
| Microsoft Windows Server 2008 Standard und Enterprise (x86) Editionen mit SP2 | | ✓ | | | | ✓ | | ✓ | |
| Microsoft Windows Server 2008 Standard, Enterprise und Datacenter (x64) Editionen | | ✓ | ✓ | ✓ | ✓ | | ✓ | ✓ | |
| Microsoft Windows Web Server 2008 (x64) Edition | | ✓ | | | ✓ | | ✓ | ✓ | |
| Microsoft Windows Web Server 2008 (x64) Edition mit SP2 | ✓ | ✓ | | | | ✓ | | ✓ | |
| Microsoft Windows Server 2008 R2 Standard, Enterprise und Datacenter (x64) Editionen | ✓ | ✓ | | | | ✓ | | ✓ | |
| Microsoft Windows Server 2003 Standard und Enterprise Editionen | | | | | | | | | ✓ |
| Microsoft Windows Server 2003 Web Edition | | ✓ | | | | | | ✓ | ✓ |
| Microsoft Windows Server 2003 Standard, Enterprise und Web Editionen mit SP1 und höher | | | | | | | | | ✓ |
| Microsoft Windows Server 2003 R2 Standard und Enterprise (x86) Editionen | | ✓ | ✓ | ✓ | ✓ | | ✓ | ✓ | ✓ |

| Betriebssystem | M915 | M910 | M905 | M805 | M710 | M710HD | M610 | M610x | M605 |
|--|------|------|------|------|------|--------|------|-------|------|
| Microsoft Windows Server 2003 Standard und Enterprise (x64) Editionen | | | | | | | | | ✓ |
| Microsoft Windows Server 2003 Standard und Enterprise x64 Editionen | | | ✓ | ✓ | ✓ | | ✓ | ✓ | ✓ |
| Microsoft Windows Server 2003 R2 Datacenter (x64) Edition | | | | | ✓ | | ✓ | ✓ | |
| Microsoft Windows Server 2003 R2 Standard, Enterprise und Datacenter (x64) Editionen mit SP2 | | ✓ | | | | | | | |
| Red Hat Enterprise Linux AS, ES und WS (Version 4.0) Update 5 (x86) | | | ✓ | ✓ | | | | | ✓ |
| Red Hat Enterprise Linux AS, ES und WS (Version 4.0) Update 5 (x86_64) | | | ✓ | ✓ | | | | | ✓ |
| Red Hat Enterprise Linux AS und ES (Version 4.7) (x86) | | | | | ✓ | | ✓ | | |
| Red Hat Enterprise Linux AS und ES (Version 4.7) (x86_64) | | | | | ✓ | | ✓ | | |
| Red Hat Enterprise Linux AS und ES (Version 4.8) (x86) | | | | | | ✓ | | ✓ | |

| Betriebssystem | M915 | M910 | M905 | M805 | M710 | M710HD | M610 | M610x | M605 |
|---|------|------|------|------|------|--------|------|-------|------|
| Red Hat Enterprise Linux AS und ES (Version 4.8) (x86_64) | | | | | | ✓ | | ✓ | |
| Red Hat Enterprise Linux (Version 5.0) (x86) | | | ✓ | ✓ | | ✓ | | | ✓ |
| Red Hat Enterprise Linux (Version 5.0) (x86_64) | | | ✓ | ✓ | ✓ | ✓ | | | ✓ |
| Red Hat Enterprise Linux (Version 5.2) (x86) | | | | | ✓ | | | | |
| Red Hat Enterprise Linux (Version 5.5) (x86) | ✓ | | | | | ✓ | | ✓ | |
| Red Hat Enterprise Linux (Version 5.5) (x86_64) | ✓ | | | | | ✓ | | ✓ | |
| Red Hat Enterprise Linux (Version 6.0) (x86_64) | ✓ | | | | | | | | |
| SUSE Linux Enterprise Server 10 (x86_64) | | | ✓ | ✓ | ✓ | | | | ✓ |
| SUSE Linux Enterprise Server 10 (x86_64) SP3 | ✓ | ✓ | | | | ✓ | | ✓ | |
| SUSE Linux Enterprise Server 11 (x86_64) | ✓ | ✓ | | | | ✓ | | ✓ | |
| Solaris 10 (x86_64) | | ✓ | ✓ | ✓ | ✓ | ✓ | ✓ | | ✓ |
| VMware ESX Version 3.0 | | | ✓ | ✓ | ✓ | | ✓ | | |
| VMware ESX Version 3.0.2 Update 1 | | | | | | | | | ✓ |
| VMware ESX Version 3.5 | | | ✓ | ✓ | ✓ | | ✓ | | |

| Betriebssystem | M915 | M910 | M905 | M805 | M710 | M710HD | M610 | M610x | M605 |
|-------------------------------------|------|------|------|------|------|--------|------|-------|------|
| VMware ESX Version 4.0 Update 1 | | ✓ | | | | ✓ | | ✓ | |
| VMware ESXi Version 4.0 Update 1 | | ✓ | | | | ✓ | | ✓ | |
| VMware ESX Version 4.0 Update 2 | ✓ | | | | | | | | |
| VMware ESXi Version 4.0 Update 2 | ✓ | | | | | | | | |
| VMware ESX Version 4.1 Update 1 | ✓ | | | | | | | | |
| VMware ESXi Version 4.1 Update 1 | ✓ | | | | | | | | |

✓ – unterstützt



ANMERKUNG: Die neuesten Informationen über unterstützte Betriebssysteme für alle PowerEdge-Systeme finden Sie unter dell.com/ossupport.

Weitere nützliche Informationen



WARNUNG: Lesen Sie vor dem Ausführen der folgenden Schritte die Sicherheitshinweise für das System.

- Die *Konfigurationsanleitung* enthält Informationen zur Konfiguration des Systemgehäuses und der Blades.
- Im zusammen mit der Rack-Lösung gelieferten *Rack-Installationshandbuch* ist beschrieben, wie das System in einem Rack installiert wird.
- Im *Hardware-Benutzerhandbuch* finden Sie Informationen über Systemfunktionen, Fehlerbehebung im System und zum Installieren oder Austauschen von Systemkomponenten.
- Die Dokumentation zur Dell-Systemverwaltungsanwendung enthält Informationen über das Installieren und Verwenden der Systemverwaltungssoftware.



ANMERKUNG: Wenn auf der Website support.dell.com/manuals aktualisierte Dokumente vorliegen, lesen Sie diese immer zuerst, da sie häufig Informationen in anderen Dokumenten ersetzen.

Anfordern von technischer Unterstützung

Falls Sie einen Vorgang in diesem Handbuch nicht nachvollziehen können oder das System sich nicht wie erwartet verhält, nehmen Sie das *Hardware-Benutzerhandbuch* zur Hand. Dell bietet umfangreiche Hardware-Schulungen und Zertifizierungen an. Nähere Informationen erhalten Sie unter www.dell.com/training. Diese Dienstleistungen stehen unter Umständen nicht an allen Standorten zur Verfügung.

Technische Daten

Technische Daten der Blades

Prozessor

Prozessortyp

| | |
|---|---|
| PowerEdge M915 | Zwei oder vier Prozessoren der Reihe AMD Opteron 6000 (Achtkern- oder Zwölfkernprozessoren) |
| PowerEdge M910 | Zwei oder vier Prozessoren der Serie Intel Xeon 7000 (bis zu Achtkernprozessoren) |
| PowerEdge M905 | Vier Zweikern- oder Vierkernprozessoren der Reihe AMD Opteron 8000 |
| PowerEdge M805 | Zwei Zweikern- oder Vierkernprozessoren der Reihe AMD Opteron 2000 |
| PowerEdge M710, M710HD, M710, M610x, M610 | Ein oder zwei Zweikern-, Vierkern- oder Sechskernprozessoren der Reihe Intel Xeon 5000 |
| PowerEdge M605 | Ein oder zwei Zweikern- oder Vierkernprozessoren der Reihe AMD Opteron 2000 |
| PowerEdge M600 | Ein oder zwei Zweikern- oder Vierkernprozessoren vom Typ Intel Xeon |

Speicher

Architektur

| | |
|------------------------------|---|
| PowerEdge M915 | Registrierte Einfach-, Zweifach- oder Vierfach-LV-DIMMs (DDR3) mit 1333 MHz (RDIMMs) |
| PowerEdge M910 | DDR3-Speichermodule, ausgelegt für 1066-MHz-Betrieb |
| PowerEdge M905, M805, M605 | DDR2-Speichermodule, ausgelegt für 677-MHz-Betrieb |
| PowerEdge M710HD | Einfach-, Zweifach- und Vierfachspeichermodule (DDR3 und DDR3L), ausgelegt für 1066 und 1333 MHz |
| PowerEdge M710, M610x, M610, | Registrierte Einfach- oder Zweifach-DIMMs (DDR3) mit 800, 1066 oder 1333 MHz (RDIMMs) oder ungepufferte DIMMs (UDIMMs) oder Registrierte Vierfach-DIMMs (DDR3) mit 800 oder 1066 MHz (RDIMMs) oder ungepufferte DIMMs (UDIMMs) |
| PowerEdge M600 | FBD-Speichermodule, ausgelegt für 677-MHz-Betrieb |

Speichermodulsocket

| | |
|------------------------|-----------------------|
| PowerEdge M915, M910 | 32 Socket (240-polig) |
| PowerEdge M905 | 24 Socket (240-polig) |
| PowerEdge M805 | 16 Socket (240-polig) |
| PowerEdge M710HD, M710 | 18 Socket (240-polig) |
| PowerEdge M610x, M610 | 12 Socket (240-polig) |
| PowerEdge M605, M600 | 8 Socket (240-polig) |

Kapazität der Speichermodule

| | |
|----------------------|---|
| PowerEdge M915 | LV-DIMMs mit 1 GB, 2 GB, 4 GB, 8 GB und 16 GB |
| PowerEdge M910 | RDIMMs mit 1 GB, 2 GB, 4 GB, 8 GB und 16 GB |
| PowerEdge M905, M805 | 1 GB, 2 GB, 4 GB und 8 GB |

Speicher (fortgesetzt)

| | |
|--------------------------------|---|
| PowerEdge M710HD | 1 GB, 2 GB, 4 GB, 8 GB und 16 GB RDIMMs und LV-DIMMs |
| PowerEdge M710, M610x, M610 | 2 GB, 4 GB, 8 GB und 16 GB RDIMMs und LV-DIMMs; UDIMMs mit 1 GB und 2 GB |
| PowerEdge M605, M600 | 512 MB, 1 GB, 2 GB, 4 GB und 8 GB |

RAM (mindestens)

| | |
|--------------------------------|---|
| PowerEdge M915 | 8 GB |
| PowerEdge M910 | 4 GB |
| PowerEdge M905 | 8 GB (acht 1-GB-Speichermodule) |
| PowerEdge M805 | 4 GB (vier 1-GB-Speichermodule) |
| PowerEdge M710D | 4 GB |
| PowerEdge M710, M610x, M610 | Ein 1-GB-Speichermodul (Einprozessorsystem) oder zwei 1-GB-Speichermodule (Zweiprocessorsysteme) |
| PowerEdge M605, M600 | 1 GB (zwei 512-MB-Speichermodule) |

RAM (höchstens)

| | |
|--------------------------|---|
| PowerEdge M915 | 512 GB |
| PowerEdge M910 | 512 GB |
| PowerEdge M905 | 192 GB |
| PowerEdge M805 | 128 GB |
| PowerEdge M710HD | 288 GB |
| PowerEdge M710 | 288 GB (achtzehn 16-GB-RDIMMs); 36 GB (achtzehn 2-GB-UDIMMs) |
| PowerEdge M610x, M610 | 192 GB (zwölf 16-GB-RDIMMs); 24 GB (zwölf 2-GB-UDIMMs) |
| PowerEdge M605, M600 | 64 GB |

Laufwerke

Festplattenlaufwerke

| | |
|-----------------------------|---|
| PowerEdge M915, M910 | Unterstützung für bis zu zwei SAS-Festplatten (2,5 Zoll) über RAID-Speicherkarte (Standard oder Performance). <i>oder</i> Unterstützung für bis zu zwei SSD-Festplatten (2,5 Zoll) über RAID-Speicherkarte (Standard oder Performance). |
| PowerEdge M905, M805 | Unterstützung für bis zu zwei SAS-Festplatten (2,5 Zoll) über RAID-Speicherkarte (Standard oder Performance). |
| PowerEdge M710HD | Unterstützung für bis zu zwei SAS-Festplatten (2,5 Zoll) über integrierten PERC H200-Speichercontroller. <i>oder</i> Unterstützung für bis zu zwei SSD-Festplatten (2,5 Zoll) über integrierten PERC H200-Speichercontroller. |
| PowerEdge M710 | Unterstützung für bis zu vier SAS-Festplatten (2,5 Zoll) über RAID-Speicherkarte (Standard oder Performance). |
| PowerEdge M600, M610x, M610 | Unterstützung für eine SATA-Festplatte (2,5 Zoll) über Speicherkarte ohne RAID, mit Standard- oder Performance-RAID. <i>oder</i> Unterstützung für zwei SATA-Festplatten (2,5 Zoll) über RAID-Speicherkarte (Standard oder Performance). <i>oder</i> Unterstützung für ein SSD-Laufwerk (Solid-State-Disk) über Speicherkarte ohne RAID. <i>oder</i> Unterstützung für bis zu zwei SAS-Festplatten über RAID-Speicherkarte (Standard oder Performance). |

Laufwerke *(fortgesetzt)*

PowerEdge M605

Unterstützung für bis zu zwei SATA-Festplatten über RAID-Speicherkarte (Standard oder Performance).

oder

Unterstützung für bis zu zwei SSD-Laufwerke (Solid-State Disk) über Speicherkarte ohne RAID.

oder

Unterstützung für bis zu zwei SAS-Festplatten über RAID-Speicherkarte (Standard oder Performance).

ANMERKUNG: Bei allen modularen Systemen lassen sich SAS- und SATA-Festplattenlaufwerke in einem Blade nicht kombinieren.

ANMERKUNG: Hot-Plug-Betrieb wird unterstützt, wenn eine optionale RAID-Controllerkarte installiert ist.

Anschlüsse

Extern

USB

PowerEdge M915, M910, M905, M805, M710
Drei USB-2.0-Anschlüsse (4-polig)

PowerEdge M710HD, M610x, M610, M605, M600
Zwei USB-2.0-Anschlüsse (4-polig)

Intern

Internes SD-Modul (Secure Digital) (PowerEdge M915, M910, M905, M805, M710HD, M710, M610x, M610)
Ein optionaler Flash-Speicherkartensteckplatz beim internen SD-Modul.

Internes SD (Secure Digital) vFlash-Modul (PowerEdge M915, M910, M710HD, M710, M610x, M610)
Ein optionaler vFlash-Speicherkartensteckplatz für iDRAC Enterprise-Support.

USB-Stick (PowerEdge M915, M910, M710HD, M710, M610x, M610)
Ein Anschluss für internen USB-Stick.

PCIe-Erweiterungslösung

| | |
|-----------------|--|
| PowerEdge M610x | Unterstützung für Standard-PCIe-Karten mit voller Baulänge (zwei mit Standardbreite oder eine mit doppelter Breite). |
|-----------------|--|

Zusatzkarten

| | |
|-----------------------|--|
| PowerEdge M915, M910 | Bis zu vier Steckplätze für PCIe-x8-Zusatzkarten (2. Generation) für Gb-Ethernet mit zwei Ports, 10-Gb-Ethernet, FC8- oder FC4-Fibre-Channel oder Infiniband. |
| PowerEdge M905, M805 | Bis zu vier Steckplätze für PCIe-x8-Zusatzkarten (1. Generation) für Gb-Ethernet mit zwei Ports, 10-Gb-Ethernet, FC8- oder FC4-Fibre-Channel oder 4x DDR-Infiniband. |
| PowerEdge M710HD | Bis zu zwei Steckplätze für PCIe-x8-Zusatzkarten (2. Generation) für Gb-Ethernet mit zwei und vier Ports, 10-Gb-Ethernet, FC8- oder FC4-Fibre-Channel oder 4x DDR-Infiniband. |
| PowerEdge M710 | Bis zu vier Steckplätze für PCIe-Zusatzkarten (2. Generation) (drei mit x8- und einer mit x4-Bandbreite) für Gb-Ethernet mit zwei Ports, 10-Gb-Ethernet, FC8- oder FC4-Fibre-Channel oder 4x DDR-Infiniband. |
| PowerEdge M610x, M610 | Bis zu zwei Steckplätze für PCIe-x8-Zusatzkarten (2. Generation) für Gb-Ethernet mit zwei Ports, 10-Gb-Ethernet, FC8- oder FC4-Fibre-Channel (nur M610) oder 4x DDR-Infiniband. |
| PowerEdge M605, M600 | Bis zu zwei Steckplätze für PCIe-x8-Zusatzkarten für Gb-Ethernet mit zwei Ports, 10-Gb-Ethernet, FC8- oder FC4-Fibre-Channel oder 4x DDR-Infiniband. |

Integrierte Ethernet-Controller

| | |
|--|--|
| PowerEdge M915, M910, M905, M805, M710HD, M710 | Vier Ethernet-Ports mit Unterstützung für das Booten über TOE und iSCSI, bereitgestellt durch zwei integrierte Broadcom 5709S Ethernet-Controller mit je zwei Ports. |
| PowerEdge M610x, M610 | Zwei Ethernet-Ports mit Unterstützung für das Booten über TOE und iSCSI, bereitgestellt durch einen integrierten Broadcom 5709S Ethernet-Controller mit zwei Ports. |
| PowerEdge M605, M600 | Zwei Ethernet-Ports mit Unterstützung für das Booten über TOE und iSCSI, bereitgestellt durch zwei integrierte Broadcom 5708S Controller. |

Grafikcontroller

| | |
|---|--|
| PowerEdge M905, M805, M605, M600 | ATI RN50-Grafikcontroller 32 MB Grafikspeicher |
| PowerEdge M915, M910, M710HD, M710, M610x, M610 | Grafikcontroller Matrox G200 8 MB Grafikspeicher |

Physische

PowerEdge M915

| | |
|----------------------------------|---------|
| Höhe | 38,5 cm |
| Breite | 5 cm |
| Tiefe | 48,6 cm |
| Gewicht (maximale Konfiguration) | 12,7 kg |

PowerEdge M910

| | |
|----------------------------------|---------|
| Höhe | 38,5 cm |
| Breite | 5 cm |
| Tiefe | 48,6 cm |
| Gewicht (maximale Konfiguration) | 13,1 kg |

Physische (fortgesetzt)

PowerEdge M905, M805,
M710, M610x

| | |
|-------------------------------------|---------|
| Höhe | 38,5 cm |
| Breite | 5 cm |
| Tiefe | 48,6 cm |
| Gewicht (maximale Konfiguration) | 11,1 kg |

PowerEdge M710HD

| | |
|-------------------------------------|---------|
| Höhe | 18,9 cm |
| Breite | 5 cm |
| Tiefe | 48,6 cm |
| Gewicht (maximale Konfiguration) | 7,4 kg |

PowerEdge M605, M600

| | |
|-------------------------------------|------------|
| Höhe | 18,9 cm |
| Breite | 5 cm |
| Tiefe | 48,6 cm |
| Gewicht (maximale Konfiguration) | 5,2-6,4 kg |

Batterie

NVRAM-Pufferbatterie Lithium-Knopfzelle CR 2032 (3,0 V)

Technische Daten des Systemgehäuses

Physische

| | |
|-------------------------------------|----------|
| Höhe | 44,0 cm |
| Breite | 44,7 cm |
| Tiefe | 75,5 cm |
| Gewicht (maximale Konfiguration) | 178,3 kg |
| Gewicht (leer) | 44,6 kg |

Netzteilmodul

Wechselstromversorgung (je Netzteil)

| | |
|--------------------------|--|
| Leistung | 2360 W und 2700 W |
| Anschluss | IEC C20 |
| Wärmeabgabe | 1205 BTU/h maximal |
| Maximaler Einschaltstrom | Unter typischen Leitungsbedingungen und über den gesamten Umgebungsbetriebsbereich des Systems kann der Einschaltstrom pro Netzteil (über einen Zeitraum von 10 ms oder weniger) 55 A erreichen. |

| | |
|----------------|---|
| Systemspannung | 14,4 A, 200-240 V Wechselspannung, 50/60 Hz |
|----------------|---|

Optionales Avocent iKVM-Modul

Extern zugängliche Anschlüsse

| | |
|-------------|---|
| USB | Zwei USB-2.0-Anschlüsse (4-polig) für Tastatur und Maus |
| ACI-Port | RJ-45 |
| Grafikkarte | VGA, 15-polig |

Gehäuseverwaltungscontroller-Modul

Extern zugängliche Anschlüsse

| | |
|-------------------|--|
| Remote-Verwaltung | Zwei reservierte RJ-45-Anschlüsse mit 10/100/1000 Mb (für integrierten Ethernet-Remote-Access-Controller). Der Gb-Port ist zur Verbindung mit dem externen Verwaltungsnetzwerk vorgesehen. Über den STK-Port lassen sich CMCs in benachbarten Gehäusen hintereinanderschalten. |
| Seriell | 9-polig, DTE, 16550-kompatibel |
| Grafikkarte | VGA, 15-polig |

| | |
|----------|-------------------------------------|
| Batterie | CR 2032, Lithium-Knopfzelle (3,0 V) |
|----------|-------------------------------------|

Gehäuse-Bedienfeld

Extern zugängliche Anschlüsse

| | |
|-------------|---|
| USB | Zwei USB-2.0-Anschlüsse (4-polig) für Tastatur und Maus |
| Grafikkarte | VGA, 15-polig |

LCD-Bedienfeld

| | |
|------------|--|
| Funktionen | Vier Cursorsteuertasten, eine Auswahl taste, ein LCD-Display |
|------------|--|

Umgebungsbedingungen

ANMERKUNG: Weitere Informationen zu Umgebungsbedingungen für bestimmte Systemkonfigurationen finden Sie unter dell.com/environmental_datasheets. Das System ist nicht zur Verwendung in Büroumgebungen vorgesehen.

Temperatur

| | |
|----------|--|
| Betrieb | 10 °C bis 35 °C ANMERKUNG: Verringern Sie die Maximaltemperatur um über 900 m um 1 °C pro 300 m. |
| Lagerung | -40 °C bis 65 °C |

Relative Luftfeuchtigkeit

| | |
|----------|--|
| Betrieb | 20 % bis 80 % (nicht-kondensierend) bei einer maximalen Feuchttemperatur von 29 °C |
| Lagerung | 5 % bis 95 % (nicht-kondensierend) bei einer maximalen Feuchttemperatur von 38 °C |

Zulässige Erschütterung

| | |
|----------|--|
| Betrieb | 0,26 g Effektivbeschleunigung (GRMS) bei 10-350 Hz, 15 Min. lang |
| Lagerung | 1,54 g Effektivbeschleunigung (GRMS) bei 10-250 Hz, 15 Min. lang |

Umgebungsbedingungen *(fortgesetzt)*

Zulässige Stoßeinwirkung

| | |
|----------|---|
| Betrieb | Ein Stoß von 41 G in der positiven z-Achse (ein Stoß auf jeder Seite des Systems) über einen Zeitraum von bis zu 2 ms. |
| Lagerung | Sechs nacheinander ausgeführte Stöße mit 71 G von bis zu 2 ms Dauer in positiver und negativer X-, Y- und Z-Richtung (ein Stoß auf jeder Seite des Systems) |

Höhe über NN

| | |
|----------|----------------------|
| Betrieb | -15,2 m bis 3 048 m |
| Lagerung | -15,2 m bis 10 600 m |

Luftverschmutzungsklasse

| | |
|--------|--------------------------|
| Klasse | G1 gemäß ISA-S71.04-1985 |
|--------|--------------------------|

Technische Daten des E/A-Moduls

Weitere Informationen über die bei Ihrem Gehäuse unterstützten E/A-Module und Passthrough-Module finden Sie im *Dell PowerEdge M1000e Systems Configuration Guide* (Dell PowerEdge M1000e Systemkonfigurationshandbuch) unter support.dell.com/manuals.

Dell PowerEdge
M1000e, M915, M910,
M905, M805, M710HD,
M710, M610x, M610, M605
και M600

Τα πρώτα βήματα με
το σύστημά σας



Σημειώσεις, ειδοποιήσεις και προσοχές



ΣΗΜΕΙΩΣΗ: Η ΣΗΜΕΙΩΣΗ αφορά σημαντικές πληροφορίες που σας βοηθούν να χρησιμοποιείτε καλύτερα τον υπολογιστή σας.



ΠΡΟΣΟΧΗ: Η ΠΡΟΣΟΧΗ υποδηλώνει δυνητική υλική ζημιά ή απώλεια δεδομένων, αν δεν ακολουθούνται οι οδηγίες.



ΕΙΔΟΠΟΙΗΣΗ: Η ΕΙΔΟΠΟΙΗΣΗ υποδηλώνει δυνητική υλική ζημιά, σωματική βλάβη ή θάνατο.

**Οι πληροφορίες αυτής της δημοσίευσης υπόκεινται σε αλλαγές χωρίς ειδοποίηση.
© 2010 Dell Inc. Με επιφύλαξη όλων των δικαιωμάτων.**

Απαγορεύεται αυστηρώς η αναπαραγωγή αυτών των υλικών με οποιοδήποτε τρόπο χωρίς την έγγραφη άδεια της Dell Inc.

Εμπορικά σήματα που χρησιμοποιούνται σε αυτό το κείμενο: Η ονομασία Dell™, το λογότυπο DELL και η ονομασία PowerEdge™ είναι εμπορικά σήματα της Dell Inc. Οι ονομασίες Citrix™ και XenServer® είναι σήματα κατατεθέντα ή εμπορικά σήματα της Citrix Systems, Inc. ή/και μίας ή περισσότερων θυγατρικών της και μπορεί να έχει καταχωρηθεί στην Υπηρεσία Ευρεσιτεχνιών και Εμπορικών Σημάτων στις Ηνωμένες Πολιτείες και σε άλλες χώρες. Η ονομασία Intel® είναι σήμα κατατεθέν της Intel Corporation στις Η.Π.Α. και σε άλλες χώρες. Οι ονομασίες Microsoft®, Windows®, και Windows Server® είναι ή εμπορικά σήματα ή σήματα κατατεθέντα της Microsoft Corporation στις Η.Π.Α. ή/και άλλες χώρες. Οι ονομασίες Red Hat® και Red Hat Enterprise Linux® είναι σήματα κατατεθέντα της Red Hat Inc. στις Ηνωμένες Πολιτείες και σε άλλες χώρες. Η ονομασία SUSE® είναι σήμα κατατεθέν της Novell, Inc., στις Ηνωμένες Πολιτείες και σε άλλες χώρες. Η ονομασία VMware® είναι σήμα κατατεθέν ή εμπορικό σήμα (τα «Σήματα») της VMware, Inc. στις Ηνωμένες Πολιτείες ή/και σε άλλες περιοχές δικαιοδοσίας. Η ονομασία Solaris™ είναι εμπορικό σήμα της Sun Microsystems, Inc. στις Ηνωμένες Πολιτείες και σε άλλες χώρες.

Άλλα εμπορικά σήματα και εμπορικές ονομασίες μπορεί να χρησιμοποιούνται στην παρούσα έκδοση αναφερόμενα είτε στους κατόχους των σημάτων και των ονομάτων είτε στα προϊόντα τους. Η Dell Inc. παραιτείται από κάθε δικαίωμα σε εμπορικά σήματα και εμπορικές ονομασίες τρίτων.

Πρότυπο BMX01, Σειρά HNB, Σειρά FHB

Δεκέμβριος 2010 P/N YCFM1 Αναθ. A00

Εγκατάσταση και διαμόρφωση

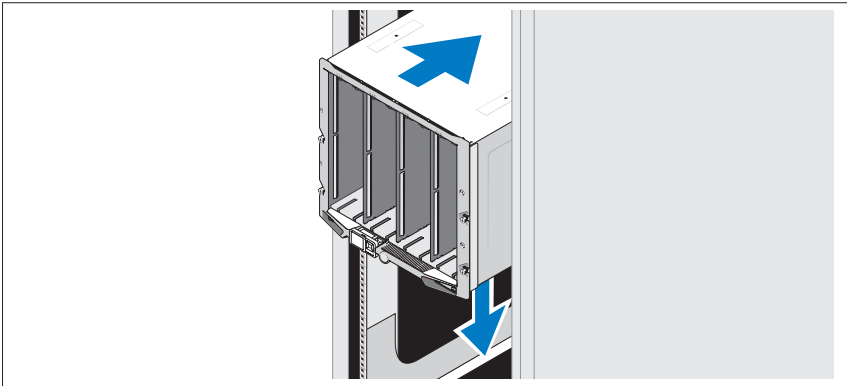
! **ΕΙΔΟΠΟΙΗΣΗ:** Πρωτού εκτελέσετε την παρακάτω διαδικασία, συμβουλευθείτε τις οδηγίες ασφάλειας που συνοδεύουν το σύστημά σας.

Η ενότητα αυτή περιγράφει τα βήματα που απαιτούνται για την αρχική ρύθμιση των παραμέτρων του συστήματός σας.

Αποσυσκευασία του συστήματος

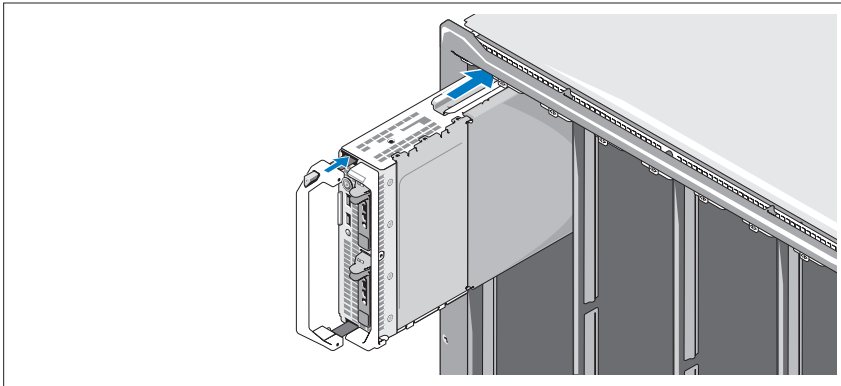
Ανοίξτε τη συσκευασία του συστήματός σας και αναγνωρίστε κάθε αντικείμενο.

Τοποθέτηση των ραγών και του συστήματος σε rack



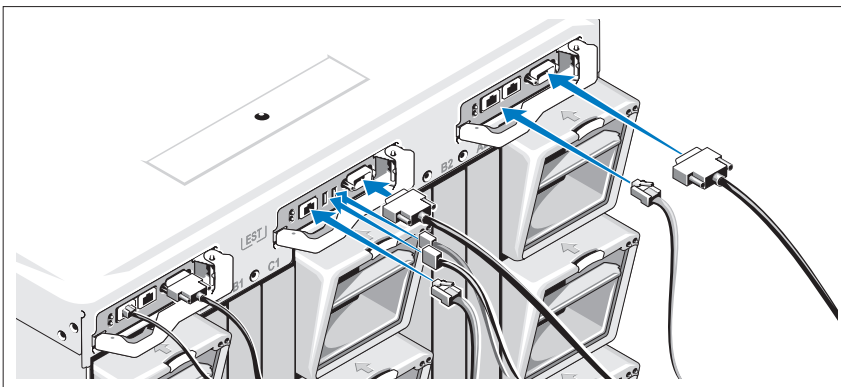
Συναρμολογήστε τις ράγες και εγκαταστήστε το σύστημα σε ράφι σύμφωνα με τις οδηγίες ασφάλειας και τις οδηγίες εγκατάστασης σε ράφι που παρέχονται με τον εξοπλισμό σας.

Εγκατάσταση των μονάδων



Ξεκινώντας από επάνω, ολισθήστε τις υπομονάδες στο περίβλημα από αριστερά προς τα δεξιά. Όταν η μονάδα ασφαλίσει, η λαβή επανέρχεται στην κλειστή θέση.

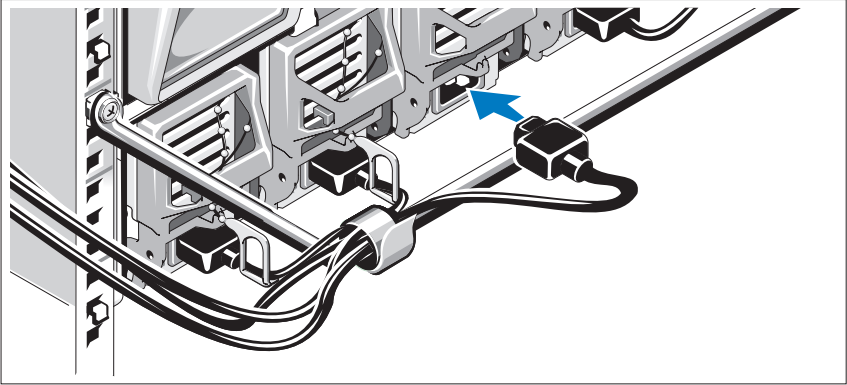
Σύνδεση των υπομονάδων CMC και KVM



Συνδέστε το σειριακό καλώδιο και τα καλώδια δικτύου από το σύστημα διαχείρισης στην υπομονάδα CMC. Εάν υπάρχει εγκατεστημένη και δεύτερη, προαιρετική υπομονάδα CMC, συνδέστε την και αυτή.

Συνδέστε το πληκτρολόγιο, το ποντίκι και την οθόνη στην προαιρετική υπομονάδα iKVM.

Σύνδεση του συστήματος στο ρεύμα



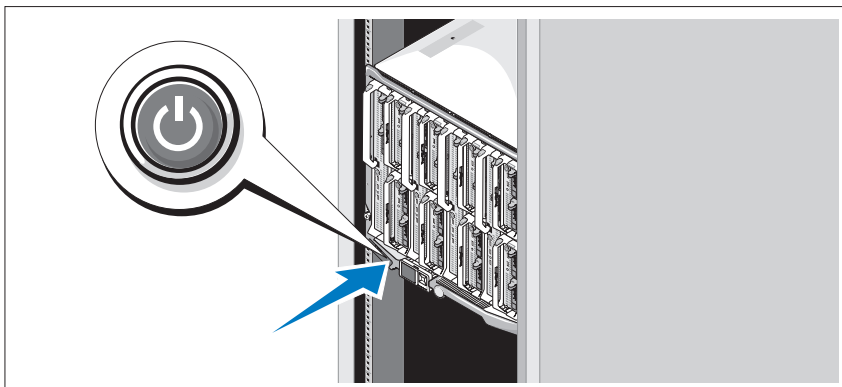
Συνδέστε τα καλώδια παροχής ηλεκτρικού ρεύματος στις παροχές ρεύματος του συστήματος.

- ⚠ **ΠΡΟΣΟΧΗ:** Για να αποτρέψετε την τυχαία αποσύνδεση των καλωδίων τροφοδοσίας, χρησιμοποιήστε το πλαστικό κλιπ σε κάθε παροχή ρεύματος για να ασφαλίσετε το καλώδιο τροφοδοσίας στην παροχή ρεύματος και χρησιμοποιήστε τη λωρίδα Velcro για να ασφαλίσετε το καλώδιο στην ράβδο ανακούφισης έντασης.

Συνδέστε το άλλο άκρο των καλωδίων τροφοδοσίας σε μια μονάδα διανομής ρεύματος (PDU).

- ⚠ **ΠΡΟΣΟΧΗ:** Μην συνδέετε τα καλώδια τροφοδοσίας απευθείας σε ρευματοδότη. Πρέπει να χρησιμοποιείτε μια μονάδα διανομής ρεύματος. Για τη βέλτιστη λειτουργία του συστήματος, απαιτούνται τουλάχιστον τρεις πηγές τροφοδοσίας.

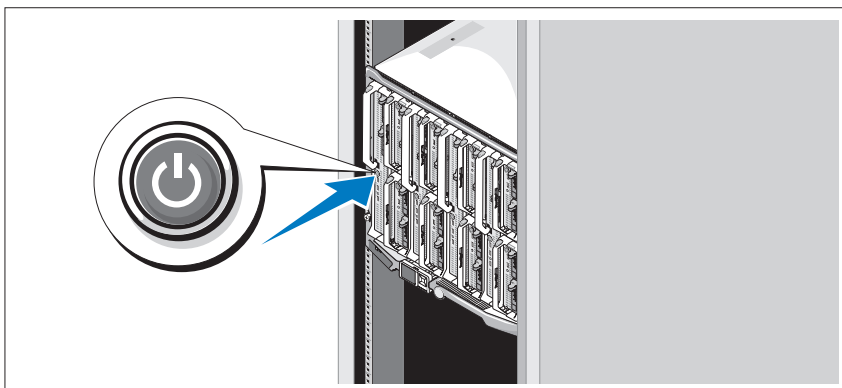
Ενεργοποίηση του συστήματος



Πιέστε το κουμπί τροφοδοσίας στο περίβλημα. Η λυχνία λειτουργίας θα πρέπει να ανάψει.

ΣΗΜΕΙΩΣΗ: Αφού συνδέσετε το σύστημα στις πηγές τροφοδοσίας, ενδέχεται να υπάρξει μια μικρή καθυστέρηση, μέχρι να μπορέσετε να θέσετε το σύστημα σε λειτουργία.

Ενεργοποίηση των μονάδων



Πιέστε το κουμπί τροφοδοσίας σε κάθε μονάδα ή ενεργοποιήστε τις μονάδες χρησιμοποιώντας το λογισμικό διαχείρισης συστημάτων.

Ολοκλήρωση της εγκατάστασης του λειτουργικού συστήματος

Εάν έχετε αγοράσει προεγκατεστημένο λειτουργικό σύστημα, ανατρέξτε στην τεκμηρίωση του λειτουργικού συστήματος που συνοδεύει το σύστημά σας. Όταν εγκαθιστάτε ένα λειτουργικό σύστημα για πρώτη φορά, ανατρέξτε στην τεκμηρίωση εγκατάστασης και διαμόρφωσης που αφορά το λειτουργικό σας σύστημα. Βεβαιωθείτε ότι το λειτουργικό σύστημα είναι εγκατεστημένο πριν εγκαταστήσετε υλικό ή λογισμικό που δεν έχετε αγοράσει μαζί με το σύστημα.

Λειτουργικά συστήματα που υποστηρίζονται

| Λειτουργικό σύστημα | M915 | M910 | M905 | M805 | M710 | M710HD | M610 | M610x | M605 |
|---|------|------|------|------|------|--------|------|-------|------|
| Citrix XenServer 5.5 | | | ✓ | ✓ | ✓ | ✓ | ✓ | | ✓ |
| Citrix XenServer 5.6 | ✓ | ✓ | ✓ | ✓ | ✓ | ✓ | ✓ | ✓ | ✓ |
| Microsoft Windows Server 2008 Hyper-V Server | ✓ | ✓ | | | | ✓ | | | |
| Microsoft Windows Essential Business Server 2008, εκδόσεις Standard και Premium | | ✓ | | | | ✓ | | ✓ | |
| Microsoft Windows HPC Server 2008 (x64) | ✓ | ✓ | | | | | | ✓ | |
| Microsoft Windows Server 2008, εκδόσεις Standard και Enterprise (x86) | | ✓ | | | ✓ | ✓ | ✓ | ✓ | |
| Microsoft Windows Web Server 2008, έκδοση (x86) | | ✓ | | | ✓ | ✓ | ✓ | | |
| Microsoft Windows Web Server 2008, έκδοση (x86) με SP2 | | ✓ | | | | | | | |

| Λειτουργικό σύστημα | M915 | M910 | M905 | M805 | M710 | M710HD | M610 | M610x | M605 |
|---|------|------|------|------|------|--------|------|-------|------|
| Microsoft Windows Server 2008, εκδόσεις Standard και Enterprise (x86) με SP2 | | ✓ | | | | ✓ | | ✓ | |
| Microsoft Windows Server 2008, εκδόσεις Standard, Enterprise και Datacenter (x64) | | ✓ | ✓ | ✓ | ✓ | | ✓ | ✓ | |
| Microsoft Windows Web Server 2008, έκδοση (x64) | | ✓ | | | ✓ | | ✓ | ✓ | |
| Microsoft Windows Web Server 2008, έκδοση (x64) με SP2 | ✓ | ✓ | | | | ✓ | | ✓ | |
| Microsoft Windows Server 2008 R2, εκδόσεις Standard, Enterprise και Datacenter (x64) | ✓ | ✓ | | | | ✓ | | ✓ | |
| Microsoft Windows Server 2003, εκδόσεις Standard και Enterprise | | | | | | | | | ✓ |
| Microsoft Windows Server 2003, έκδοση Web | | ✓ | | | | | | ✓ | ✓ |
| Microsoft Windows Server 2003, εκδόσεις Standard, Enterprise και Web με SP1 και μεταγενέστερη | | | | | | | | | ✓ |
| Microsoft Windows Server 2003 R2, εκδόσεις Standard και Enterprise (x86) | | ✓ | ✓ | ✓ | ✓ | | ✓ | ✓ | ✓ |

| Λειτουργικό σύστημα | M915 | M910 | M905 | M805 | M710 | M710HD | M610 | M610x | M605 |
|---|------|------|------|------|------|--------|------|-------|------|
| Microsoft Windows Server 2003, εκδόσεις Standard και Enterprise (x64) | | | | | | | | | ✓ |
| Microsoft Windows Server 2003 R2, εκδόσεις Standard και Enterprise (x64) | | | ✓ | ✓ | ✓ | | ✓ | ✓ | ✓ |
| Microsoft Windows Server 2003, έκδοση R2 Datacenter (x64) | | | | | ✓ | | ✓ | ✓ | |
| Microsoft Windows Server 2003 R2, εκδόσεις Standard, Enterprise και Datacenter (x64) με SP2 | | ✓ | | | | | | | |
| Red Hat Enterprise Linux AS, ES, και WS (έκδοση 4.0) Ενημέρωση 5 (x86) | | | ✓ | ✓ | | | | | ✓ |
| Red Hat Enterprise Linux AS, ES και WS (έκδοση 4.0) Ενημέρωση 5 (x86_64) | | | ✓ | ✓ | | | | | ✓ |
| Red Hat Enterprise Linux AS και ES (έκδοση 4.7) (x86) | | | | | ✓ | | ✓ | | |
| Red Hat Enterprise Linux AS και ES (έκδοση 4.7) (x86_64) | | | | | ✓ | | ✓ | | |
| Red Hat Enterprise Linux AS και ES (έκδοση 4.8) (x86) | | | | | | ✓ | | ✓ | |

| Λειτουργικό σύστημα | M915 | M910 | M905 | M805 | M710 | M710HD | M610 | M610x | M605 |
|--|------|------|------|------|------|--------|------|-------|------|
| Red Hat Enterprise Linux AS και ES (έκδοση 4.8) (x86_64) | | | | | | ✓ | | ✓ | |
| Red Hat Enterprise Linux (έκδοση 5.0) (x86) | | | ✓ | ✓ | | ✓ | | | ✓ |
| Red Hat Enterprise Linux (έκδοση 5.0) (x86_64) | | | ✓ | ✓ | ✓ | ✓ | | | ✓ |
| Red Hat Enterprise Linux (έκδοση 5.2) (x86) | | | | | ✓ | | | | |
| Red Hat Enterprise Linux (έκδοση 5.5) (x86) | ✓ | | | | | ✓ | | ✓ | |
| Red Hat Enterprise Linux (έκδοση 5.5) (x86_64) | ✓ | | | | | ✓ | | ✓ | |
| Red Hat Enterprise Linux (έκδοση 6.0) (x86_64) | ✓ | | | | | | | | |
| SUSE Linux Enterprise Server 10 (x86_64) | | | ✓ | ✓ | ✓ | | | | ✓ |
| SUSE Linux Enterprise Server 10 (x86_64) με SP3 | ✓ | ✓ | | | | ✓ | | ✓ | |
| SUSE Linux Enterprise Server 11 (x86_64) | ✓ | ✓ | | | | ✓ | | ✓ | |
| Solaris 10 (x86_64) | | ✓ | ✓ | ✓ | ✓ | ✓ | ✓ | | ✓ |
| VMware ESX έκδοση 3.0 | | | ✓ | ✓ | ✓ | | ✓ | | |
| VMware ESX έκδοση 3.0.2 Ενημέρωση 1 | | | | | | | | | ✓ |
| VMware ESX έκδοση 3.5 | | | ✓ | ✓ | ✓ | | ✓ | | |

| Λειτουργικό σύστημα | M915 | M910 | M905 | M805 | M710 | M710HD | M610 | M610x | M605 |
|--|------|------|------|------|------|--------|------|-------|------|
| VMware ESX έκδοση 4.0 Ενημέρωση 1 | | ✓ | | | | ✓ | | ✓ | |
| VMware ESXi έκδοση 4.0 Ενημέρωση 1 | | ✓ | | | | ✓ | | ✓ | |
| VMware ESX έκδοση 4.0 Ενημέρωση 2 | ✓ | | | | | | | | |
| VMware ESXi έκδοση 4.0 Ενημέρωση 2 | ✓ | | | | | | | | |
| VMware ESX έκδοση 4.1 Ενημέρωση 1 | ✓ | | | | | | | | |
| VMware ESXi έκδοση 4.1 Ενημέρωση 1 | ✓ | | | | | | | | |

✓ —Υποστηρίζεται από



ΣΗΜΕΙΩΣΗ: Για τις τελευταίες πληροφορίες σχετικά με τα υποστηριζόμενα λειτουργικά συστήματα για όλα τα συστήματα PowerEdge, βλέπε dell.com/ossupport.

Άλλες πληροφορίες που ενδεχομένως να χρειαστείτε



ΕΙΔΟΠΟΙΗΣΗ: Προτού εκτελέσετε την παρακάτω διαδικασία, συμβουλευθείτε τις οδηγίες ασφάλειας που συνοδεύουν το σύστημά σας.

- Ο *Οδηγός διαμόρφωσης* παρέχει πληροφορίες για τη διαμόρφωση του καλύμματος και των μονάδων του συστήματος.
- Οι *Οδηγίες εγκατάστασης σε ράφι* που συνοδεύουν τη δική σας λύση για εγκατάσταση σε ράφι περιγράφουν τον τρόπο εγκατάστασης τους συστήματός σας σε ράφι.

- Το *Εγχειρίδιο κατόχου υλικού* παρέχει πληροφορίες σχετικά με τα χαρακτηριστικά του συστήματος και περιγράφει την αντιμετώπιση προβλημάτων του συστήματός σας και την εγκατάσταση ή την αντικατάσταση συστατικών στοιχείων του συστήματος.
- Η τεκμηρίωση για την εφαρμογή της διαχείρισης συστημάτων της Dell παρέχει πληροφορίες σχετικά με την εγκατάσταση και χρήση του λογισμικού διαχείρισης συστημάτων.



ΣΗΜΕΙΩΣΗ: Ελέγχετε πάντοτε για ενημερώσεις στην τοποθεσία support.dell.com/manuals και διαβάζετε πρώτα τις ενημερώσεις, επειδή πολύ συχνά αντικαθιστούν τις πληροφορίες άλλων εγγράφων.

Λήψη τεχνικής βοήθειας

Εάν δεν κατανοείτε μια διαδικασία αυτού του οδηγού ή αν το σύστημα δεν λειτουργεί με τον αναμενόμενο τρόπο, ανατρέξτε στο *Εγχειρίδιο κατόχου υλικού*. Η Dell παρέχει ολοκληρωμένη εκπαίδευση και πιστοποίηση υλικού. Για περισσότερες πληροφορίες, ανατρέξτε στη διεύθυνση dell.com/training. Η υπηρεσία αυτή ενδέχεται να μην προσφέρεται σε όλες τις τοποθεσίες.

Τεχνικές προδιαγραφές

Προδιαγραφές μονάδας

Επεξεργαστής

Τύπος επεξεργαστή

| | |
|-------------------------------------|---|
| PowerEdge M915 | Δύο ή τέσσερις επεξεργαστές AMD Opteron της σειράς 6000 (οκταπλού ή δωδεκαπλού πυρήνα) |
| PowerEdge M910 | Δύο ή τέσσερις επεξεργαστές Intel Xeon της σειράς 7000 (επεξεργαστές έως οκταπλού πυρήνα) |
| PowerEdge M905 | Τέσσερις επεξεργαστές διπλού ή τετραπλού πυρήνα AMD Opteron της σειράς 8000 |
| PowerEdge M805 | Δύο επεξεργαστές διπλού ή τετραπλού πυρήνα AMD Opteron της σειράς 2000 |
| PowerEdge M710HD, M710, M610x, M610 | Ένας ή δύο επεξεργαστές διπλού, τετραπλού ή εξαπλού πυρήνα σειράς Intel Xeon 5000 |

Επεξεργαστής (συνέχεια)

| | |
|----------------|---|
| PowerEdge M605 | Ένας ή δύο επεξεργαστές διπλού ή τετραπλού πυρήνα σειράς AMD Opteron 2000 |
| PowerEdge M600 | Ένας ή δύο επεξεργαστές διπλού ή τετραπλού πυρήνα Intel Xeon |

Μνήμη

Αρχιτεκτονική

| | |
|------------------------------|---|
| PowerEdge M915 | Μονάδες DIMM στα 1333 MHz DDR3, απλής, διπλής ή τετραπλής σειράς, καταχωρισμένες LV (RDIMM) |
| PowerEdge M910 | Μονάδες μνήμης DDR3, βαθμονομημένες για λειτουργία 1066 MHz |
| PowerEdge M905, M805, M605 | Μονάδες μνήμης DDR2, βαθμονομημένες για λειτουργία 677 MHz |
| PowerEdge M710HD | Μονάδες μνήμης DDR3 και DDR3L, μονής, διπλής και τετραπλής σειράς, βαθμονομημένες για 1066 και 1333 MHz |
| PowerEdge M710, M610x, M610, | Μονάδες DIMM στα 800, 1066 ή 1333 MHz DDR3, απλής ή διπλής σειράς, καταχωρισμένες (RDIMM) ή χωρίς περιοχή προσωρινής αποθήκευσης (UDIMM) ή Μονάδες DIMM στα 800 ή 1066 MHz DDR3, τετραπλής σειράς, καταχωρισμένες (RDIMM) ή χωρίς περιοχή προσωρινής αποθήκευσης (UDIMM) |
| PowerEdge M600 | Μονάδες μνήμης FBD, βαθμονομημένες για λειτουργία στα 677 MHz |

Υποδοχές μονάδων μνήμης

| | |
|------------------------|------------------------------|
| PowerEdge M915, M910 | 32 υποδοχές των 240 ακίδων |
| PowerEdge M905 | 24 υποδοχές των 240 ακίδων |
| PowerEdge M805 | 16 υποδοχές των 240 ακίδων |
| PowerEdge M710HD, M710 | 18 υποδοχές των 240 ακίδων |
| PowerEdge M610x, M610 | 12 υποδοχές των 240 ακίδων |
| PowerEdge M605, M600 | Οκτώ υποδοχές των 240 ακίδων |

Μνήμη (συνέχεια)

Χωρητικότητες μονάδων
μνήμης

| | |
|--------------------------------|--|
| PowerEdge M915 | DIMM 1 GB, 2 GB, 4 GB, 8 GB και 16 GB LV |
| PowerEdge M910 | 1 GB, 2 GB, 4 GB, 8 GB και 16 GB RDIMM |
| PowerEdge M905, M805 | 1 GB, 2 GB, 4 GB και 8 GB |
| PowerEdge M710HD | 1 GB, 2 GB, 4 GB, 8 GB και 16 GB Μονάδες RDIMM και LV DIMM |
| PowerEdge M710, M610x, M610 | 2 GB, 4 GB, 8 GB και 16 GB Μονάδες RDIMM και LV DIMM Μονάδες UDIMM 1 GB και 2 GB |
| PowerEdge M605, M600 | 512 MB, 1 GB, 2 GB, 4 GB και 8 GB |

Ελάχιστη μνήμη RAM

| | |
|--------------------------------|--|
| PowerEdge M915 | 8 GB |
| PowerEdge M910 | 4 GB |
| PowerEdge M905 | 8 GB (Οκτώ μονάδες μνήμης 1 GB) |
| PowerEdge M805 | 4 GB (Τέσσερις μονάδες μνήμης 1 GB) |
| PowerEdge M710D | 4 GB |
| PowerEdge M710, M610x, M610 | Μία μονάδα μνήμης του 1 GB (συστήματα με έναν επεξεργαστή) ή δύο μονάδες μνήμης του 1 GB (συστήματα με δύο επεξεργαστές) |
| PowerEdge M605, M600 | 1 GB (δύο μονάδες μνήμης 512 MB) |

Μέγιστη μνήμη RAM

| | |
|------------------|---|
| PowerEdge M915 | 512 GB |
| PowerEdge M910 | 512 GB |
| PowerEdge M905 | 192 GB |
| PowerEdge M805 | 128 GB |
| PowerEdge M710HD | 288 GB |
| PowerEdge M710 | 288 GB (Δεκαοκτώ RDIMM των 16 GB), 36 GB (Δεκαοκτώ UDIMM των 2 GB) |

Μνήμη (συνέχεια)

| | |
|--------------------------|---|
| PowerEdge M610x, M610 | 192 GB (Δώδεκα RDIMM των 16 GB), 24 GB (Δώδεκα UDIMM των 2 GB) |
| PowerEdge M605, M600 | 64 GB |

Μονάδες δίσκου

Μονάδες σκληρού δίσκου

| | |
|----------------------|---|
| PowerEdge M915, M910 | Έως και δύο μονάδες σκληρού δίσκου SAS των 2,5 ιντσών. Υποστήριξη μέσω κάρτας αποθήκευσης RAID αξίας ή κάρτας αποθήκευσης RAID απόδοσης. ή Έως και δύο μονάδες σκληρού δίσκου SSD των 2,5 ιντσών. Υποστήριξη μέσω κάρτας αποθήκευσης RAID αξίας ή κάρτας αποθήκευσης RAID απόδοσης. |
| PowerEdge M905, M805 | Έως και δύο μονάδες σκληρού δίσκου SAS των 2,5 ιντσών. Υποστήριξη μέσω κάρτας αποθήκευσης RAID αξίας ή κάρτας αποθήκευσης RAID απόδοσης. |
| PowerEdge M710HD | Έως και δύο μονάδες σκληρού δίσκου SAS των 2,5 ιντσών. Υποστήριξη μέσω ενσωματωμένου ελεγκτή αποθήκευσης PERC H200. ή Έως και δύο μονάδες σκληρού δίσκου SSD των 2,5 ιντσών. Υποστήριξη μέσω ενσωματωμένου ελεγκτή αποθήκευσης PERC H200. |
| PowerEdge M710 | Έως και δύο μονάδες σκληρού δίσκου SAS των 2,5 ιντσών. Υποστήριξη μέσω κάρτας αποθήκευσης RAID αξίας ή κάρτας αποθήκευσης RAID απόδοσης. |

Μονάδες δίσκου (συνέχεια)

PowerEdge M600,
M610x, M610

Μία μονάδα σκληρού δίσκου SATA των 2,5 ιντσών. Υποστήριξη μέσω κάρτας αποθήκευσης μη RAID, κάρτας αποθήκευσης RAID αξίας ή κάρτας αποθήκευσης RAID απόδοσης.

ή

Δύο μονάδες σκληρού δίσκου SATA των 2,5 ιντσών. Υποστήριξη μέσω κάρτας αποθήκευσης RAID αξίας ή κάρτας αποθήκευσης RAID απόδοσης.

ή

Μία μονάδα σκληρού δίσκου στερεάς κατάστασης (SSD). Υποστήριξη μέσω κάρτας αποθήκευσης μη RAID.

ή

Έως και δύο μονάδες σκληρού δίσκου SAS. Υποστήριξη μέσω κάρτας αποθήκευσης RAID αξίας ή κάρτας αποθήκευσης RAID απόδοσης.

PowerEdge M605

Έως και δύο μονάδες σκληρού δίσκου SATA. Υποστήριξη μέσω κάρτας αποθήκευσης RAID αξίας ή κάρτας αποθήκευσης RAID απόδοσης.

ή

Έως και δύο μονάδες σκληρού δίσκου (SSD) στερεάς κατάστασης μέσω κάρτας αποθήκευσης μη RAID.

ή

Έως και δύο μονάδες σκληρού δίσκου SAS. Υποστήριξη μέσω κάρτας αποθήκευσης RAID αξίας ή κάρτας αποθήκευσης RAID απόδοσης.

ΣΗΜΕΙΩΣΗ: Για όλα τα αρθρωτά συστήματα, δεν είναι δυνατό να αναμιχθούν μονάδες σκληρών δίσκων SAS και SATA εντός της ίδιας μονάδας.

ΣΗΜΕΙΩΣΗ: Η λειτουργία θερμής σύνδεσης υποστηρίζεται εάν υπάρχει εγκατεστημένη κάρτα ελεγκτή RAID.

Θύρες

Εξωτερικοί

USB

PowerEdge M915, M910, M905, M805, M710 Τρεις 4 ακίδων, συμβατοί με USB 2.0

PowerEdge M710HD, M610x, M610, M605, M600 Δύο 4 ακίδων, συμβατοί με USB 2.0

Εσωτερικά

Εσωτερική μονάδα καρτών Secure Digital (PowerEdge M915, M910, M905, M805, M710HD, M710, M610x, M610) Μία προαιρετική υποδοχή κάρτας μνήμης flash με την εσωτερική μονάδα καρτών SD

Εσωτερική μονάδα καρτών Secure Digital (SD) (PowerEdge M915, M910, M710HD, M710, M610x, M610) Υποστήριξη για μία προαιρετική υποδοχή καρτών μνήμης VFlash για χρήση με το iDRAC Enterprise

Κλειδί USB (PowerEdge M915, M910, M710HD, M710, M610x, M610) Μία εσωτερική υποδοχή κλειδιού USB

Λύση επέκτασης PCIe

PowerEdge M610x Υποστηρίζει δύο τυπικές κάρτες PCIe πλήρους ύψους μονού εύρους ή μία αντίστοιχη κάρτα μονού εύρους.

Κάρτες Mezzanine (ενδιάμεσες)

PowerEdge M915, M910 Έως και τέσσερις υποδοχές ενδιάμεσες κάρτας PCIe Gen 2 x8, που υποστηρίζουν Gb Ethernet δύο θυρών, 10 Gb Ethernet, Κανάλι Ινών FC8 ή ενδιάμεσες κάρτες τύπου Infiniband.

PowerEdge M905, M805 Έως και τέσσερις υποδοχές ενδιάμεσες κάρτας PCIe Gen 1 x8, που υποστηρίζουν Gb Ethernet δύο θυρών, 10 Gb Ethernet, Κανάλι Ινών FC8 ή FC4 ή 4x ενδιάμεσες κάρτες DDR τύπου Infiniband.

Κάρτες Mezzanine (ενδιάμεσες) (συνέχεια)

| | |
|-----------------------|---|
| PowerEdge M710HD | Έως και δύο υποδοχές ενδιάμεσης κάρτας PCIe Gen 2 x8, που υποστηρίζουν Gb Ethernet δύο θυρών και τεσσάρων θυρών, 10 Gb Ethernet, Κανάλι Ινών FC8 ή FC4 ή 4x ενδιάμεσες κάρτες DDR τύπου Infiniband. |
| PowerEdge M710 | Έως τέσσερις υποδοχές PCIe Gen 2 ενδιάμεσων καρτών (τρεις εύρους λωρίδας x8 και μία x4), που υποστηρίζουν Gb Ethernet δύο θυρών, 10 Gb Ethernet, Κανάλι Ινών FC8 ή FC4 ή 4x ενδιάμεσες κάρτες DDR τύπου Infiniband. |
| PowerEdge M610x, M610 | Έως και δύο υποδοχές ενδιάμεσης κάρτας PCIe Gen 2 x8, που υποστηρίζουν Gb Ethernet δύο θυρών, 10 Gb Ethernet, Κανάλι Ινών FC8 ή FC4 (M610 μόνο) ή 4x ενδιάμεσες κάρτες DDR τύπου Infiniband. |
| PowerEdge M605, M600 | Έως και δύο υποδοχές ενδιάμεσης κάρτας PCIe Gen 2 x8, που υποστηρίζουν Gb Ethernet δύο θυρών, 10 Gb Ethernet, Κανάλι Ινών FC8 ή FC4 ή 4x ενδιάμεσες κάρτες DDR τύπου Infiniband. |

Ενσωματωμένοι ελεγκτές Ethernet

| | |
|--|--|
| PowerEdge M915, M910, M905, M805, M710HD, M710 | Τέσσερις θύρες Ethernet με υποστήριξη TOE και εκκίνησης iSCSI, που παρέχονται από δύο ενσωματωμένους ελεγκτές Broadcom 5709S Ethernet με δύο θύρες |
| PowerEdge M610x, M610 | Δύο θύρες Ethernet με υποστήριξη TOE και εκκίνησης iSCSI, που παρέχονται από έναν ενσωματωμένο ελεγκτή Broadcom 5709S Ethernet με δύο θύρες. |
| PowerEdge M605, M600 | Δύο θύρες Ethernet με υποστήριξη TOE και εκκίνησης iSCSI, που παρέχονται από δύο ενσωματωμένους ελεγκτές Broadcom 5708S |

Ελεγκτής οθόνης

| | |
|---|--|
| PowerEdge M905, M805, M605, M600 | Ελεγκτής οθόνης ATI RN50. Μνήμη βίντεο 32 MB |
| PowerEdge M915, M910, M710HD, M710, M610x, M610 | Ελεγκτής οθόνης Matrox G200. Μνήμη βίντεο 8 MB |

Φυσικά χαρακτηριστικά

PowerEdge M915

| | |
|----------------------------|------------------------|
| Ύψος | 38,5 εκ. (15,2 ίντσες) |
| Πλάτος | 5 εκ. (2 ίντσες) |
| Βάθος | 48,6 εκ. (19,2 ίντσες) |
| Βάρος (μέγιστη διαμόρφωση) | 12,7 κιλά (28 λίβρες) |

PowerEdge M910

| | |
|----------------------------|------------------------|
| Ύψος | 38,5 εκ. (15,2 ίντσες) |
| Πλάτος | 5 εκ. (2 ίντσες) |
| Βάθος | 48,6 εκ. (19,2 ίντσες) |
| Βάρος (μέγιστη διαμόρφωση) | 13,1 κιλά (29 λίβρες) |

PowerEdge M905, M805, M710, M610x

| | |
|----------------------------|-------------------------|
| Ύψος | 38,5 εκ. (15,2 ίντσες) |
| Πλάτος | 5 εκ. (2 ίντσες) |
| Βάθος | 48,6 εκ. (19,2 ίντσες) |
| Βάρος (μέγιστη διαμόρφωση) | 11,1 κιλά (24,5 λίβρες) |

PowerEdge M710HD

| | |
|----------------------------|------------------------|
| Ύψος | 18,9 εκ. (7,4 ίντσες) |
| Πλάτος | 5 εκ. (2 ίντσες) |
| Βάθος | 48,6 εκ. (19,2 ίντσες) |
| Βάρος (μέγιστη διαμόρφωση) | 7,4 κιλά (16,3 λίβρες) |

PowerEdge M605, M600

| | |
|----------------------------|---------------------------------|
| Ύψος | 18,9 εκ. (7,4 ίντσες) |
| Πλάτος | 5 εκ. (2 ίντσες) |
| Βάθος | 48,6 εκ. (19,2 ίντσες) |
| Βάρος (μέγιστη διαμόρφωση) | 5,2–6,4 κιλά (11,5–14,0 λίβρες) |

Μπαταρία

Εφεδρική μπαταρία NVRAM CR 2032 3,0 V ιόντων λιθίου σε σχήμα νομίσματος

Προδιαγραφές καλύμματος συστήματος

Φυσικά χαρακτηριστικά

| | |
|----------------------------|---------------------------|
| Ύψος | 44,0 εκ. (17,3 ίντσες) |
| Πλάτος | 44,7 εκ. (17,6 ίντσες) |
| Βάθος | 75,5 εκ. (29,7 ίντσες) |
| Βάρος (μέγιστη διαμόρφωση) | 178,3 κιλά (392,2 λίβρες) |
| Βάρος (κενό) | 44,6 κιλά (98,1 λίβρες) |

Μονάδα τροφοδοσίας

Τροφοδοσία AC/DC (ανά παροχή τροφοδοσίας)

| | |
|-----------------------|--|
| Ισχύς σε watt | 2360 W και 2700 W |
| Συνδετήρας | IEC C20 |
| Έκλυση θερμότητας | 1205 BTU/ώρα. Μέγιστο |
| Μέγιστο ρεύμα εισροής | Κάτω από τυπικές συνθήκες γραμμής και πάνω από την περιοχή λειτουργίας περιβάλλοντος ολόκληρου του συστήματος, το ρεύμα εισροής μπορεί να αγγίξει τα 55 A ανά παροχή τροφοδοσίας για 10 ms ή λιγότερο. |

Απαιτήσεις τάσης συστήματος 14,4 A, 200–240 VAC, 50/60 Hz

Προαιρετική υπομονάδα Avocent iKVM

Συζευκτικές εξωτερικής πρόσβασης

| | |
|----------------|---|
| USB | Δύο 4 ακίδων, συμβατοί με USB 2.0, για υποστήριξη πληκτρολογίου και ποντικιού |
| Θύρα ACI | RJ-45 |
| Κάρτα γραφικών | VGA 15 ακίδων |

Υπομονάδα ελεγκτή διαχείρισης πλαισίου

Συζευκτικές εξωτερικής πρόσβασης

| | |
|--------------------------|---|
| Απομακρυσμένη διαχείριση | Δύο αποκλειστικές θύρες 10/100/1000 Mb RJ-45 (για ενσωματωμένο ελεγκτή Ethernet απομακρυσμένης πρόσβασης). Η θύρα Gb συνδέεται στο εξωτερικό δίκτυο διαχείρισης. Η θύρα STK επιτρέπει την αλυσιδωτή σύνδεση CMC σε γειτονικά καλύμματα. |
| Σειριακές | 9 ακίδων, DTE, συμβατές με 16550 |
| Κάρτα γραφικών | VGA 15 ακίδων |
| Μπαταρία | CR 2032 3,0 V ιόντων λιθίου σε σχήμα νομίσματος |

Πίνακας χειρισμού καλύμματος

Συζευκτικές εξωτερικής πρόσβασης

| | |
|----------------|---|
| USB | Δύο 4 ακίδων, συμβατοί με USB 2.0, για υποστήριξη πληκτρολογίου και ποντικιού |
| Κάρτα γραφικών | VGA 15 ακίδων |

Πλαίσιο LCD

| | |
|-------------|--|
| Δυνατότητες | Τέσσερα πλήκτρα ελέγχου δρομέα, ένα πλήκτρο επιλογής και μία οθόνη LCD |
|-------------|--|

Χαρακτηριστικά περιβάλλοντος

ΣΗΜΕΙΩΣΗ: Για επιπλέον πληροφορίες σχετικά με τις περιβαλλοντικές μετρήσεις για συγκεκριμένες διαμορφώσεις συστήματος, επισκεφτείτε τη διεύθυνση dell.com/environmental_datasheets. Το σύστημα δεν προορίζεται για χρήση σε περιβάλλον γραφείου.

Θερμοκρασία

| | |
|---------------------|--|
| Κατά τη λειτουργία | 10 °C έως 35 °C (50 °F έως 95 °F) ΣΗΜΕΙΩΣΗ: Μειώστε τη μέγιστη θερμοκρασία κατά 1 °C (1,8 °F) για κάθε 300 μέτρα (985 πόδια) πάνω από τα 900 μέτρα (2955 πόδια). |
| Κατά την αποθήκευση | -40 °C έως 65 °C (-40 °F έως 149 °F) |

Χαρακτηριστικά περιβάλλοντος (συνέχεια)

Σχετική υγρασία

| | |
|---------------------|---|
| Κατά τη λειτουργία | 20% έως 80% (χωρίς συμπύκνωση) με μέγιστη θερμοκρασία βρεγμένου θερμομέτρου στους 29 °C (84,2 °F) |
| Κατά την αποθήκευση | 5% έως 95% (χωρίς συμπύκνωση) με μέγιστη θερμοκρασία βρεγμένου θερμομέτρου στους 38 °C (100,4 °F) |

Μέγιστη ταλάντευση

| | |
|---------------------|--|
| Κατά τη λειτουργία | 0,26 Grms σε 10 Hz–350 Hz επί 15 λεπτά |
| Κατά την αποθήκευση | 1,54 Grms σε 10 Hz–250 Hz επί 15 λεπτά |

Μέγιστη δόνηση

| | |
|---------------------|---|
| Κατά τη λειτουργία | Ένας παλμός δόνησης στο θετικό τμήμα του άξονα z (ένας παλμός στην κάθε πλευρά του συστήματος) των 41 G για έως και 2 ms |
| Κατά την αποθήκευση | Έξι διαδοχικά εκτελεσμένοι παλμοί δόνησης στο θετικό και αρνητικό τμήμα των αξόνων x, y και z (ένας παλμός σε κάθε πλευρά του συστήματος) των 71 G για έως και 2 ms |

Υψόμετρο

| | |
|---------------------|---|
| Κατά τη λειτουργία | –15,2 μέτρα έως 3.048 μέτρα (–50 πόδια έως 10.000 πόδια) |
| Κατά την αποθήκευση | –15,2 μέτρα έως 10.600 μέτρα (–50 πόδια έως 35.000 πόδια) |

Επίπεδα ρύπων στην ατμόσφαιρα

| | |
|-----------|--|
| Κατηγορία | G1, όπως ορίζεται από το ISA-S71.04-1985 |
|-----------|--|

Προδιαγραφές υπομονάδας I/O

Για πληροφορίες σχετικά με τις μονάδες I/O (εισ./εξ.) και τις μονάδες διέλευσης που υποστηρίζονται στον εξοπλισμό σας, βλέπε τον *Οδηγό Διαμόρφωσης Συστήματος Dell PowerEdge M1000e* στη διεύθυνση support.dell.com/manuals.

Dell PowerEdge
M1000e, M915, M910,
M905, M805, M710HD,
M710, M610x, M610,
M605 i M600

Rozpoczęcie pracy z systemem



Uwagi, przestrogi i ostrzeżenia



UWAGA: UWAGA oznacza ważną wiadomość, która pomoże lepiej wykorzystać komputer.



PRZESTROGA: PRZESTROGA wskazuje na ryzyko uszkodzenia sprzętu lub utraty danych w razie nieprzestrzegania instrukcji.



OSTRZEŻENIE: Napis OSTRZEŻENIE informuje o sytuacjach, w których występuje ryzyko uszkodzenia mienia, odniesienia obrażeń ciała lub śmierci.

Informacje zawarte w tym dokumencie mogą zostać zmienione bez uprzedzenia.

© 2010 Dell Inc. Wszelkie prawa zastrzeżone.

Powielanie tych materiałów w jakiegokolwiek formie bez pisemnej zgody firmy Dell Inc. jest surowo zabronione.

Znaki towarowe użyte w tym tekście: Dell™, logo DELL i PowerEdge™ są znakami towarowymi firmy Dell Inc. Citrix™ i XenServer® są zastrzeżonymi znakami towarowymi lub znakami towarowymi firmy Citrix Systems, Inc. i/lub jednej lub więcej filii, i mogą być zarejestrowane w Urzędzie Patentów i Znaków Towarowych w USA oraz innych krajach. Intel® jest zastrzeżonym znakiem towarowym firmy Intel Corporation w Stanach Zjednoczonych i innych krajach. Microsoft®, Windows® i Windows Server® są znakami towarowymi lub zastrzeżonymi znakami towarowymi firmy Microsoft Corporation w Stanach Zjednoczonych i/lub w innych krajach. Red Hat® oraz Red Hat Enterprise Linux® są zastrzeżonymi znakami towarowymi firmy Red Hat, Inc. w Stanach Zjednoczonych i innych krajach. SUSE® jest zastrzeżonym znakiem towarowym firmy Novell, Inc. w Stanach Zjednoczonych i innych krajach. VMware® jest zastrzeżonym znakiem towarowym lub znakiem towarowym („Znaki”) firmy VMware, Inc. w Stanach Zjednoczonych i/lub innych jurysdykcjach. Solaris™ jest znakiem towarowym firmy Sun Microsystems, Inc. w Stanach Zjednoczonych oraz innych krajach.

Tekst może zawierać także inne znaki i nazwy handlowe, odnoszące się do podmiotów posiadających prawa do tych znaków i nazw lub do ich produktów. Firma Dell Inc. nie rości sobie żadnych praw do znaków i nazw towarowych innych niż jej własne.

Model BMX01, seria HHB, seria FHB

Grudzień 2010

Nr ref. YCFM1

Wersja A00

Instalacja i konfiguracja

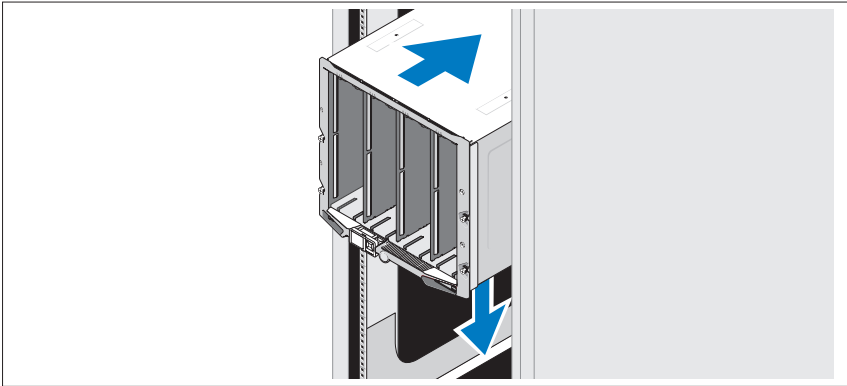
⚠ OSTRZEŻENIE: Przed rozpoczęciem wykonywania poniższej procedury należy zapoznać się z instrukcjami dotyczącymi bezpieczeństwa dołączonymi do systemu.

W tej sekcji opisano czynności, które należy wykonać w celu skonfigurowania systemu po raz pierwszy.

Rozpakowanie systemu

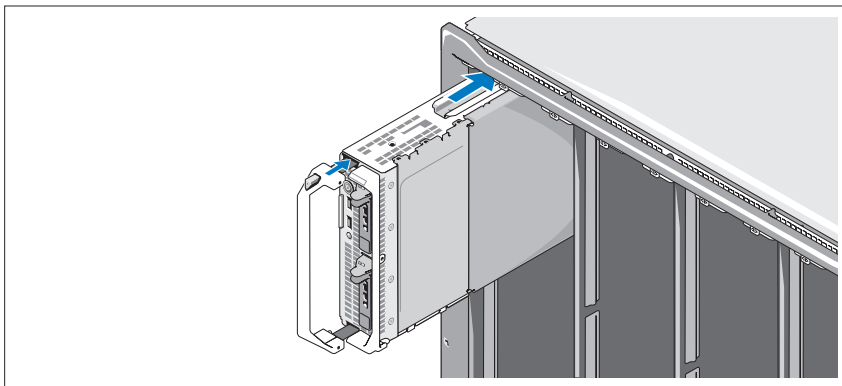
Rozpakuj system i zidentyfikuj jego poszczególne elementy.

Instalowanie przewodnic i systemu w szafie typu rack



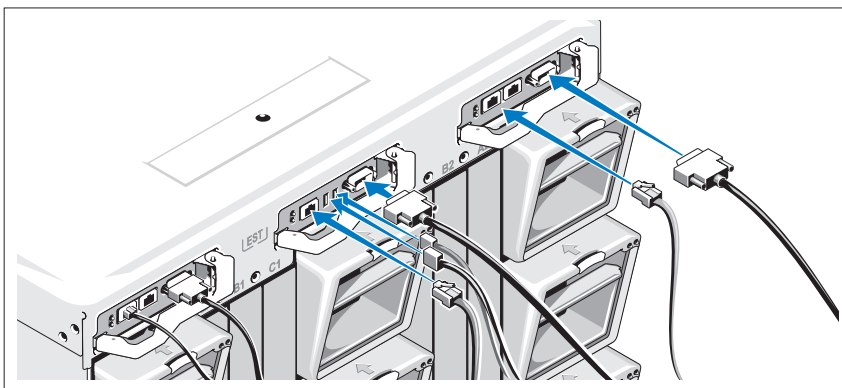
Zamontuj przewodnice i zainstaluj system w szafie typu rack zgodnie z instrukcjami bezpieczeństwa oraz instrukcjami dotyczącymi instalacji szafy typu rack dostarczonymi wraz z systemem.

Instalowanie serwerów kasetowych



Wsuwaj moduły do obudowy począwszy od góry, od lewej do prawej strony. Gdy serwer kasetowy zostanie poprawnie zainstalowany, uchwyt powróci do pozycji zamkniętej.

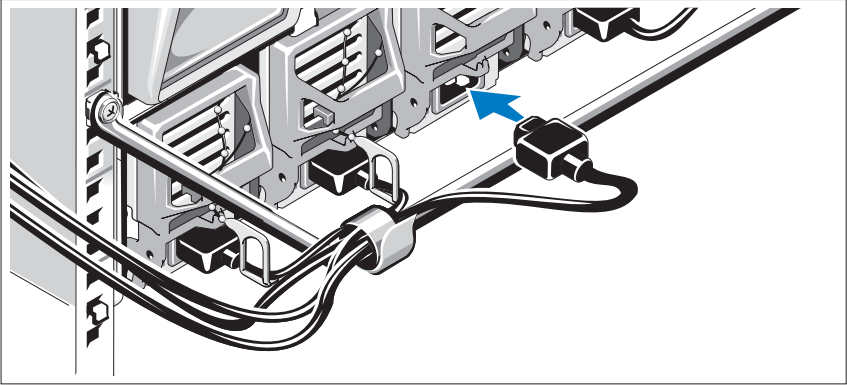
Łączenie modułów CMC i KVM



Podłącz kabel szeregowy i kable sieciowe z systemu zarządzania do modułu CMC. W przypadku instalowania drugiego, opcjonalnego modułu CMC należy go również podłączyć.

Podłącz klawiaturę, mysz i monitor do opcjonalnego modułu iKVM.

Podłączanie systemu do zasilania



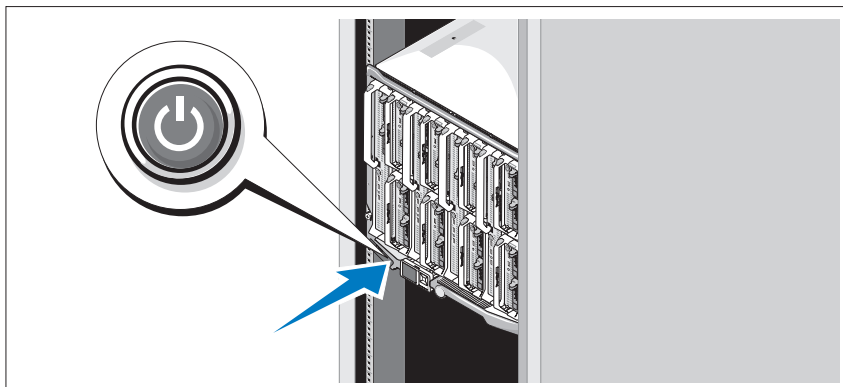
Podłącz kable zasilania systemu do zasilaczy systemu.

- △ **PRZESTROGA:** Aby uniknąć przypadkowego odłączenia kabli zasilania, użyj plastikowego zacisku znajdującego się na każdym zasilaczu w celu zamocowania kabla do zasilacza oraz pasków Velcro w celu przymocowania kabli do ramy zabezpieczającej.


Podłącz drugi koniec kabli zasilania do jednostki rozdziału zasilania (PDU).

- △ **PRZESTROGA:** Nie podłączaj kabli zasilania bezpośrednio do gniazdka elektrycznego. Konieczne jest zastosowanie jednostki PDU. W celu zapewnienia optymalnego działania systemu potrzebne są co najmniej trzy zasilacze.

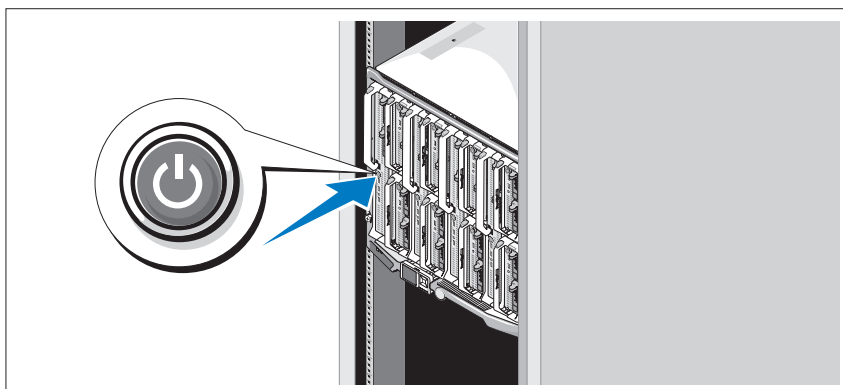
Włączanie systemu



Naciśnij przycisk zasilania znajdujący się na obudowie. Powinien zaświecić się wskaźnik zasilania.

 **UWAGA:** Po podłączeniu systemu do zasilacza może wystąpić minimalne opóźnienie zanim będzie można włączyć system.

Włączanie serwerów kasetowych



Naciśnij przycisk zasilania na każdym serwerze kasetowym lub uruchom serwery za pomocą oprogramowania do zarządzania systemem.

Konfiguracja systemu operacyjnego

W przypadku zakupienia systemu operacyjnego zainstalowanego fabrycznie zapoznaj się z dokumentacją systemu operacyjnego dostarczoną wraz z systemem. Zanim rozpoczniesz instalowanie systemu operacyjnego po raz pierwszy, zapoznaj się z dokumentacją instalacji i konfiguracji dotyczącą posiadanego systemu operacyjnego. Upewnij się, że system operacyjny został zainstalowany przed instalacją sprzętu i oprogramowania niezakupionego wraz z komputerem.

Obsługiwane systemy operacyjne

| System operacyjny | M915 | M910 | M905 | M805 | M710 | M710HD | M610 | M610x | M605 |
|--|------|------|------|------|------|--------|------|-------|------|
| Citrix XenServer 5.5 | | | ✓ | ✓ | ✓ | | ✓ | | ✓ |
| Citrix XenServer 5.6 | ✓ | ✓ | ✓ | ✓ | ✓ | ✓ | ✓ | ✓ | ✓ |
| Microsoft Windows Server 2008 Hyper-V Server | ✓ | ✓ | | | | ✓ | | | |
| Microsoft Windows Essential Business Server 2008 — wersje Standard i Premium | | ✓ | | | | ✓ | | ✓ | |
| Microsoft Windows HPC Server 2008 (x64) | ✓ | ✓ | | | | | | ✓ | |
| Microsoft Windows Server 2008 — wersje Standard oraz Enterprise (x86) | | ✓ | | | ✓ | ✓ | ✓ | ✓ | |
| Microsoft Windows Server 2008 — wersja Web (x86) | | ✓ | | | ✓ | ✓ | ✓ | | |
| Microsoft Windows Server 2008 — wersja Web (x86) z SP2 | | ✓ | | | | | | | |

| System operacyjny | M915 | M910 | M905 | M805 | M710 | M710HD | M610 | M610x | M605 |
|--|-------------|-------------|-------------|-------------|-------------|---------------|-------------|--------------|-------------|
| Microsoft Windows Server 2008 — wersje Standard oraz Enterprise (x86) z SP2 | | ✓ | | | | ✓ | | ✓ | |
| Microsoft Windows Server 2008 — wersje Standard, Enterprise oraz Datacenter (x64) | | ✓ | ✓ | ✓ | ✓ | | ✓ | ✓ | |
| Microsoft Windows Server 2008 — wersja Web (x64) | | ✓ | | | ✓ | | ✓ | ✓ | |
| Microsoft Windows Server 2008 — wersja Web (x64) z SP2 | ✓ | ✓ | | | | ✓ | | ✓ | |
| Microsoft Windows Server 2008 R2 — wersje Standard, Enterprise oraz Datacenter (x64) | ✓ | ✓ | | | | ✓ | | ✓ | |
| Microsoft Windows Server 2003 — wersje Standard oraz Enterprise | | | | | | | | | ✓ |
| Microsoft Windows Server 2003 — wersja Web | | ✓ | | | | | | ✓ | ✓ |
| Microsoft Windows Server 2003 — wersje Standard, Enterprise oraz Web z SP1 oraz wyższe | | | | | | | | | ✓ |
| Microsoft Windows Server 2003 R2 — wersje Standard oraz Enterprise (x86) | | ✓ | ✓ | ✓ | ✓ | | ✓ | ✓ | ✓ |

| System operacyjny | M915 | M910 | M905 | M805 | M710 | M710HD | M610 | M610x | M605 |
|--|-------------|-------------|-------------|-------------|-------------|---------------|-------------|--------------|-------------|
| Microsoft Windows Server 2003 - wersje Standard oraz Enterprise (x64) | | | | | | | | | ✓ |
| Microsoft Windows Server 2003 R2 — wersje Standard oraz Enterprise (x64) | | | ✓ | ✓ | ✓ | | ✓ | ✓ | ✓ |
| Microsoft Windows Server 2003 R2 — wersja Datacenter (x64) | | | | | ✓ | | ✓ | ✓ | |
| Microsoft Windows Server 2003 R2 — wersje Standard, Enterprise oraz Datacenter (x64) z SP2 | | ✓ | | | | | | | |
| Red Hat Enterprise Linux AS, ES i WS (wersja 4.0), aktualizacja 5 (x86) | | | ✓ | ✓ | | | | | ✓ |
| Red Hat Enterprise Linux AS, ES i WS (wersja 4.0), aktualizacja 5 (x86_64) | | | ✓ | ✓ | | | | | ✓ |
| Red Hat Enterprise Linux AS i ES (wersja 4.7) (x86) | | | | | ✓ | | ✓ | | |
| Red Hat Enterprise Linux AS i ES (wersja 4.7) (x86_64) | | | | | ✓ | | ✓ | | |
| Red Hat Enterprise Linux AS i ES (wersja 4.8) (x86) | | | | | | ✓ | | ✓ | |

| System operacyjny | M915 | M910 | M905 | M805 | M710 | M710HD | M610 | M610x | M605 |
|--|-------------|-------------|-------------|-------------|-------------|---------------|-------------|--------------|-------------|
| Red Hat Enterprise Linux AS i ES (wersja 4.8) (x86_64) | | | | | | ✓ | | ✓ | |
| Red Hat Enterprise Linux (wersja 5.0) (x86) | | | ✓ | ✓ | | ✓ | | | ✓ |
| Red Hat Enterprise Linux (wersja 5.0) (x86_64) | | | ✓ | ✓ | ✓ | ✓ | | | ✓ |
| Red Hat Enterprise Linux (wersja 5.2) (x86) | | | | | ✓ | | | | |
| Red Hat Enterprise Linux (wersja 5.5) (x86) | ✓ | | | | | ✓ | | ✓ | |
| Red Hat Enterprise Linux (wersja 5.5) (x86_64) | ✓ | | | | | ✓ | | ✓ | |
| Red Hat Enterprise Linux (wersja 6.0) (x86_64) | ✓ | | | | | | | | |
| SUSE Linux Enterprise Server 10 (x86_64) | | | ✓ | ✓ | ✓ | | | | ✓ |
| SUSE Linux Enterprise Server 10 (x86_64) SP3 | ✓ | ✓ | | | | ✓ | | ✓ | |
| SUSE Linux Enterprise Server 11 (x86_64) | ✓ | ✓ | | | | ✓ | | ✓ | |
| Solaris 10 (x86_64) | | ✓ | ✓ | ✓ | ✓ | ✓ | ✓ | | ✓ |
| VMware ESX wersja 3.0 | | | ✓ | ✓ | ✓ | | ✓ | | |
| VMware ESX wersja 3.0.2, aktualizacja 1 | | | | | | | | | ✓ |
| VMware ESX wersja 3.5 | | | ✓ | ✓ | ✓ | | ✓ | | |

| System operacyjny | M915 | M910 | M905 | M805 | M710 | M710HD | M610 | M610x | M605 |
|---|------|------|------|------|------|--------|------|-------|------|
| VMware ESX wersja 4.0, aktualizacja 1 | | ✓ | | | | ✓ | | ✓ | |
| VMware ESXi wersja 4.0, aktualizacja 1 | | ✓ | | | | ✓ | | ✓ | |
| VMware ESX wersja 4.0, aktualizacja 2 | ✓ | | | | | | | | |
| VMware ESXi wersja 4.0, aktualizacja 2 | ✓ | | | | | | | | |
| VMware ESX wersja 4.1, aktualizacja 1 | ✓ | | | | | | | | |
| VMware ESXi wersja 4.1, aktualizacja 1 | ✓ | | | | | | | | |

✓—obsługiwane



UWAGA: Najbardziej aktualne informacje o obsługiwanych systemach operacyjnych dla wszystkich systemów PowerEdge można znaleźć na stronie dell.com/ossupport.

Inne przydatne informacje



OSTRZEŻENIE: Przed rozpoczęciem wykonywania poniższej procedury należy zapoznać się z instrukcjami dotyczącymi bezpieczeństwa dołączonymi do systemu.

- *Przewodnik po konfiguracji* zawiera informacje dotyczące konfiguracji obudowy systemu i serwerów kasetowych.
- *Instrukcja instalacji szafy typu rack* dołączona do rozwiązania zawiera instrukcje instalacji systemu w szafie typu rack.
- *Podręcznik użytkownika sprzętu* zawiera informacje o funkcjach systemu i opis sposobów rozwiązywania problemów zaistniałych podczas jego użytkowania, a także instrukcje dotyczące instalacji lub wymiany jego elementów.

- Dokumentacja dotycząca aplikacji do zarządzania systemami Dell zawiera informacje o instalowaniu i używaniu oprogramowania do zarządzania systemami.



UWAGA: Należy zawsze sprawdzać, czy na stronie support.dell.com/manuals pojawiły się aktualizacje, i czytać je w pierwszej kolejności, ponieważ często pojawiają się one z wyprzedzeniem w stosunku do innych dokumentów.

Uzyskiwanie pomocy technicznej

Jeżeli procedury opisane w tym podręczniku są niezrozumiałe lub jeśli zestaw komputerowy nie działa zgodnie z oczekiwaniami, zapoznaj się z *Podręcznikiem użytkownika sprzętu*. Firma Dell oferuje kompleksowe szkolenie w dziedzinie sprzętu i certyfikację. Więcej informacji na ten temat można znaleźć na stronie dell.com/training. Ta usługa może nie być oferowana we wszystkich lokalizacjach.

Dane techniczne

Specyfikacja serwera kasetowego

Procesor

Typ procesora

| | |
|---|--|
| PowerEdge M915 | Dwa lub cztery procesory AMD Opteron serii 6000 (ośmio- lub dwunastordzeniowe procesory) |
| PowerEdge M910 | Dwa lub cztery procesory Intel Xeon serii 7000 (do ośmiordzeniowych procesorów) |
| PowerEdge M905 | Cztery dwurdzeniowe lub czterordzeniowe procesory AMD Opteron serii 8000 |
| PowerEdge M805 | Dwa dwurdzeniowe lub czterordzeniowe procesory AMD Opteron serii 2000 |
| PowerEdge M910, M710HD, M710, M610x, M610 | Jeden lub dwa dwu-, cztero- lub sześciordzeniowe procesory Intel Xeon serii 5000 |
| PowerEdge M605 | Jeden lub dwa dwurdzeniowe lub czterordzeniowe procesory AMD Opteron serii 2000 |
| PowerEdge M600 | Jeden lub dwa dwurdzeniowe bądź czterordzeniowe procesory Intel Xeon |

Pamięć

Architektura

| | |
|------------------------------|--|
| PowerEdge M915 | Jedno-, dwu- lub czteroszeregowe niskonapięciowe (LV) rejestrowane moduły pamięci DIMM DDR3 (RDIMM) o częstotliwości 1333 Hz |
| PowerEdge M910 | Moduły pamięci DDR3, dostosowane do częstotliwości 1066 MHz |
| PowerEdge M905, M805, M605 | Moduły pamięci DDR2, dostosowane do częstotliwości 677 MHz |
| PowerEdge M710HD | Jedno-, dwu- i czteroszeregowe moduły pamięci DDR3 i DDR3L, dostosowane do częstotliwości 1066 i 1333 MHz |
| PowerEdge M710, M610x, M610, | Jedno- lub dwuszeregowe moduły pamięci DDR3 o częstotliwościach 800, 1066 lub 1333 MHz, rejestrowane DIMM (RDIMM) lub niebuforowane DIMM (UDIMM) lub Czteroszeregowe moduły pamięci DDR3 o częstotliwościach 800 lub 1066 MHz, rejestrowane DIMM (RDIMM) lub niebuforowane DIMM (UDIMM) |
| PowerEdge M600 | Całkowicie buforowane moduły pamięci, dostosowane do częstotliwości 677 MHz |

Gniazda modułów pamięci

| | |
|------------------------|----------------------------|
| PowerEdge M915, M910 | 32 gniazda 240-stykowe |
| PowerEdge M905 | 24 gniazda 240-stykowe |
| PowerEdge M805 | 16 gniazd 240-stykowych |
| PowerEdge M710HD, M710 | 18 gniazd 240-stykowych |
| PowerEdge M610x, M610 | 12 gniazd 240-stykowych |
| PowerEdge M605, M600 | Osiem gniazd 240-stykowych |

Pojemność modułów pamięci

| | |
|----------------------|--|
| PowerEdge M915 | Niskonapięciowe (LV) moduły DIMM o pojemności 1 GB, 2 GB, 4 GB, 8 GB i 16 GB |
| PowerEdge M910 | Moduły RDIMM 1 GB, 2 GB, 4 GB, 8 GB i 16 GB |
| PowerEdge M905, M805 | 1 GB, 2 GB, 4 GB i 8 GB |

Pamięć (ciąg dalszy)

| | |
|-----------------------------|---|
| PowerEdge M710HD | Moduły RDIMM i LV DIMM 1 GB, 2 GB, 4 GB, 8 GB i 16 GB |
| PowerEdge M710, M610x, M610 | Moduły RDIMM i LV DIMM 2 GB, 4 GB, 8 GB i 16 GB; Moduły UDIMM 1 GB i 2 GB |
| PowerEdge M605, M600 | 512 MB, 1 GB, 2 GB, 4 GB i 8 GB |

Minimalna pojemność pamięci RAM

| | |
|-----------------------------|---|
| PowerEdge M915 | 8 GB |
| PowerEdge M910 | 4 GB |
| PowerEdge M905 | 8 GB (osiem modułów pamięci o pojemności 1 GB) |
| PowerEdge M805 | 4 GB (cztery moduły pamięci o pojemności 1 GB) |
| PowerEdge M710D | 4 GB |
| PowerEdge M710, M610x, M610 | Jeden moduł pamięci o pojemności 1 GB (system jednoprocessorowy) lub dwa moduły pamięci o pojemności 1 GB (systemy dwuprocessorowe) |
| PowerEdge M605, M600 | 1 GB (dwa moduły pamięci o pojemności 512 MB) |

Maksymalna pojemność pamięci RAM

| | |
|----------------------|---|
| PowerEdge M915 | 512 GB |
| PowerEdge M910 | 512 GB |
| PowerEdge M905 | 192 GB |
| PowerEdge M805 | 128 GB |
| PowerEdge M710HD | 288 GB |
| PowerEdge M710 | 288 GB (osiemnaście modułów RDIMM o pojemności 16 GB); 36 GB (osiemnaście modułów UDIMM o pojemności 2 GB) |
| PowerEdge M610x M610 | 192 GB (dwanaście modułów RDIMM o pojemności 16 GB); 24 GB (dwanaście modułów UDIMM o pojemności 2 GB) |
| PowerEdge M605, M600 | 64 GB |

Napędy

Dyski twarde

| | |
|-----------------------------|--|
| PowerEdge M915, M910 | Do dwóch 2,5-calowych napędów dysków twardech SAS. Obsługa przez ekonomiczną lub wydajną kartę kontrolera RAID. <i>lub</i> Do dwóch 2,5-calowych napędów dysków twardech SSD. Obsługa przez ekonomiczną lub wydajną kartę kontrolera RAID. |
| PowerEdge M905, M805 | Do dwóch 2,5-calowych napędów dysków twardech SAS. Obsługa przez ekonomiczną lub wydajną kartę kontrolera RAID. |
| PowerEdge M710HD | Do dwóch 2,5-calowych napędów dysków twardech SAS. Obsługa przez osadzony kontroler PERC H200. <i>lub</i> Do dwóch 2,5-calowych napędów dysków twardech SSD. Obsługa przez osadzony kontroler PERC H200. |
| PowerEdge M710 | Do czterech 2,5-calowych napędów dysków twardech SAS. Obsługa przez ekonomiczną lub wydajną kartę kontrolera RAID. |
| PowerEdge M600, M610x, M610 | Jeden 2,5-calowy napęd dysku twardego SATA. Obsługa przez kartę inną niż RAID lub ekonomiczną lub wydajną kartę kontrolera RAID. <i>lub</i> Dwa 2,5-calowe napędy dysków twardech SATA. Obsługa przez ekonomiczną lub wydajną kartę kontrolera RAID. <i>lub</i> Jeden napęd dysku twardego SSD. Obsługa przez kartę inną niż RAID. <i>lub</i> Do dwóch napędów dysków twardech SAS. Obsługa przez ekonomiczną lub wydajną kartę kontrolera RAID. |

Napędy (ciąg dalszy)

PowerEdge M605

Do dwóch napędów dysków twardych SATA. Obsługa przez ekonomiczną lub wydajną kartę kontrolera RAID.
lub

Do dwóch napędów dysków twardych SSD. Obsługa przez kartę inną niż RAID.
lub

Do dwóch napędów dysków twardych SAS. Obsługa przez ekonomiczną lub wydajną kartę kontrolera RAID.

UWAGA: We wszystkich systemach modułowych nie można łączyć dysków twardych SAS i SATA w ramach jednego serwera kasetowego.

UWAGA: Działanie podczas pracy systemu możliwe, jeśli zainstalowana jest opcjonalna karta kontrolera RAID.

Złącza

Zewnętrzne

USB

PowerEdge M915, M910, M905, M805, M710

Trzy 4-stykowe, kompatybilne z USB 2.0

PowerEdge M710HD, M610x, M610, M605, M600

Dwa 4-stykowe, kompatybilne z USB 2.0

Wewnętrzne

Wewnętrzny moduł Secure Digital (SD) (PowerEdge M915, M910, M905, M805, M710HD, M710, M610x, M610)

Jedno opcjonalne gniazdo na karty pamięci typu flash z wewnętrznym modulem SD.

Wewnętrzny moduł vFlash Secure Digital (SD) (PowerEdge M915, M910, M710HD, M710, M610x, M610)

Jedno opcjonalne gniazdo na kartę pamięci vFlash do użytku z iDRAC Enterprise.

Złącza (ciąg dalszy)

| | |
|---|-------------------------------------|
| Klucz USB (PowerEdge M915, M910, M710HD, M710, M610x, M610) | Jedno wewnętrzne złącze klucza USB. |
|---|-------------------------------------|

Rozszerzenie PCIe

| | |
|-----------------|--|
| PowerEdge M610x | Obsługuje standardowe karty PCIe o pełnej długości (dwie o pojedynczej szerokości lub jedną o podwójnej szerokości). |
|-----------------|--|

Karty Mezzanine

| | |
|-----------------------|---|
| PowerEdge M915, M910 | Do czterech gniazd na karty PCIe Gen 2 x8 mezzanine obsługujących karty mezzanine z dwoma portami Gb Ethernet, 10 Gb Ethernet, FC8 Fibre Channel lub Infiniband. |
| PowerEdge M905, M805 | Do czterech gniazd na karty PCIe Gen 1 x8 mezzanine obsługujących karty mezzanine z dwoma portami Gb Ethernet, 10 Gb Ethernet, FC8 lub FC4 Fibre Channel bądź 4x DDR Infiniband. |
| PowerEdge M710HD | Do dwóch gniazd na karty PCIe Gen 2 x8 mezzanine obsługujących karty mezzanine z dwoma i czterema portami Gb Ethernet, 10 Gb Ethernet, FC8 lub FC4 Fibre Channel bądź 4x DDR Infiniband. |
| PowerEdge M710 | Do czterech gniazd na karty PCIe Gen 2 mezzanine (trzy o szerokości pasma x8 i jedną x4) obsługujących karty mezzanine z dwoma portami Gb Ethernet, 10 Gb Ethernet, FC8 lub FC4 Fibre Channel bądź 4x DDR Infiniband. |
| PowerEdge M610x, M610 | Do dwóch gniazd na karty PCIe Gen 2 x8 mezzanine obsługujących karty mezzanine z dwoma portami Gb Ethernet, 10 Gb Ethernet, FC8 lub FC4 (tylko M610) Fibre Channel bądź 4x DDR Infiniband. |
| PowerEdge M605, M600 | Do dwóch gniazd na karty PCIe x8 mezzanine obsługujących karty mezzanine z dwoma portami Gb Ethernet, 10 Gb Ethernet, FC8 lub FC4 Fibre Channel bądź 4x DDR Infiniband. |

Wbudowane kontrolery sieci Ethernet

| | |
|--|--|
| PowerEdge M915, M910, M905, M805, M710HD, M710 | Cztery porty Ethernet z obsługą TOE oraz iSCSI, zapewniane przez dwa zintegrowane dwuportowe kontrolery Broadcom 5709S Ethernet. |
| PowerEdge M610x, M610 | Dwa porty Ethernet z obsługą TOE oraz iSCSI, zapewniane przez jeden zintegrowany dwuportowy kontroler Broadcom 5709S Ethernet. |
| PowerEdge M605, M600 | Dwa porty Ethernet obsługujące TOE oraz iSCSI, zapewniane przez dwa zintegrowane kontrolery Broadcom 5708S. |

Kontroler grafiki

| | |
|---|--|
| PowerEdge M905, M805, M605, M600 | Kontroler grafiki ATI RN50. Pamięć grafiki 32 MB |
| PowerEdge M915, M910, M710HD, M710, M610x, M610 | Kontroler grafiki Matrox G200. Pamięć grafiki 8 MB |

Cechy fizyczne

PowerEdge M915

| | |
|--------------------------------------|---------|
| Wysokość | 38,5 cm |
| Szerokość | 5 cm |
| Głębokość | 48,6 cm |
| Waga (przy maksymalnej konfiguracji) | 12,7 kg |

PowerEdge M910

| | |
|--------------------------------------|---------|
| Wysokość | 38,5 cm |
| Szerokość | 5 cm |
| Głębokość | 48,6 cm |
| Waga (przy maksymalnej konfiguracji) | 13,1 kg |

Cechy fizyczne (ciąg dalszy)

PowerEdge M905, M805,
M710, M610x

| | |
|--------------------------------------|---------|
| Wysokość | 38,5 cm |
| Szerokość | 5 cm |
| Głębokość | 48,6 cm |
| Waga (przy maksymalnej konfiguracji) | 11,1 kg |

PowerEdge M710HD

| | |
|--------------------------------------|---------|
| Wysokość | 18,9 cm |
| Szerokość | 5 cm |
| Głębokość | 48,6 cm |
| Waga (przy maksymalnej konfiguracji) | 7,4 kg |

PowerEdge M605, M600

| | |
|--------------------------------------|------------|
| Wysokość | 18,9 cm |
| Szerokość | 5 cm |
| Głębokość | 48,6 cm |
| Waga (przy maksymalnej konfiguracji) | 5,2–6,4 kg |

Akumulator

Bateria zapasowa NVRAM Litowa bateria pastylkowa CR 2032 o napięciu 3,0 V

Specyfikacje obudowy systemu

Cechy fizyczne

| | |
|--------------------------------------|----------|
| Wysokość | 44,0 cm |
| Szerokość | 44,7 cm |
| Głębokość | 75,5 cm |
| Waga (przy maksymalnej konfiguracji) | 178,3 kg |
| Waga (bez wyposażenia) | 44,6 kg |

Moduł zasilacza

Zasilacz prądu zmiennego/stałego (na każdy zasilacz)

| | |
|-------------------------------------|--|
| Moc | 2360 W i 2700 W |
| Złącze | IEC C20 |
| Emisja ciepła | 1205 BTU/godz. maks. |
| Maksymalne natężenie przy włączeniu | Przy typowym zasilaniu i w całym dozwolonym zakresie warunków pracy systemu natężenie prądu przy włączeniu może osiągnąć 55 A na zasilacz przez co najwyżej 10 ms. |

Wymagania dotyczące napięcia systemu 14,4 A, 200–240 V prądu zmiennego, 50/60 Hz

Opcjonalne moduły iKVM firmy Avocent

Złącza dostępne z zewnątrz

| | |
|----------|--|
| USB | Dwa 4-stykowe, kompatybilne z USB 2.0 złącza do obsługi klawiatury i myszy |
| Port ACI | RJ-45 |
| Grafika | 15-stykowe złącze VGA |

Moduł kontrolera zarządzania obudową

Złącza dostępne z zewnątrz

| | |
|--------------------|--|
| Zarządzanie zdalne | Dwa dedykowane gniazda 10/100/1000 Mb RJ-45 (dla zintegrowanego kontrolera dostępu zdalnego dla sieci Ethernet). Port Gb łączy z zewnętrzną siecią zarządzania. Port STK umożliwia łańcuchowe połączenie CMC z sąsiadującymi obudów. |
| Szeregowe | 9-stykowe, DTE, kompatybilne z 16550 |
| Grafika | 15-stykowe złącze VGA |

| | |
|------------|---|
| Akumulator | Litowo-jonowa bateria pastylkowa CR 2032 o napięciu 3,0 V |
|------------|---|

Panel sterowania obudowy

Złącza dostępne z zewnątrz

| | |
|---------|--|
| USB | Dwa 4-stykowe, kompatybilne z USB 2.0 złącza do obsługi klawiatury i myszy |
| Grafika | 15-stykowe złącze VGA |

Panel LCD

| | |
|---------|--|
| Funkcje | Cztery klawisze sterowania kursorem, jeden klawisz wyboru, ekran LCD |
|---------|--|

Warunki otoczenia

UWAGA: W celu uzyskania dodatkowych informacji o warunkach otoczenia przewidzianych dla poszczególnych konfiguracji systemu należy odwiedzić stronę internetową dell.com/environmental_datasheets. Ten system nie nadaje się do użytku w otoczeniu biurowym.

Temperatura:

| | |
|-----------------|--|
| W trakcie pracy | 10°C do 35°C UWAGA: Maksymalna temperatura ulega obniżeniu o 1°C co 300 m dla wysokości powyżej 900 m. |
| Przechowywanie | -40°C do 65°C |

Warunki otoczenia (ciąg dalszy)

Wilgotność względna

| | |
|-----------------|--|
| W trakcie pracy | Od 20% do 80% (bez kondensacji) przy maksymalnej temperaturze termometru wilgotnego 29°C |
| Przechowywanie | Od 5% do 95% (bez kondensacji) przy maksymalnej temperaturze termometru wilgotnego 38°C |

Maksymalne drgania

| | |
|-----------------|--|
| W trakcie pracy | 0,26 Grms przy częstotliwości 10–350 Hz przez 15 minut |
| Przechowywanie | 1,54 Grms przy częstotliwości 10–250 Hz przez 15 minut |

Maksymalny wstrząs

| | |
|-----------------|---|
| W trakcie pracy | Jeden wstrząs na dodatniej osi Z (jeden wstrząs po każdej stronie systemu) o sile 41 G trwający do 2 ms |
| Przechowywanie | Sześć kolejnych impulsów wstrząsowych na dodatniej i ujemnej stronie osi X, Y i Z (jeden wstrząs po każdej stronie systemu) o sile 71 G trwające maksymalnie 2 ms |

Wysokość n.p.m.

| | |
|-----------------|----------------------|
| W trakcie pracy | Od –15,2 do 3 048 m |
| Przechowywanie | Od –15,2 do 10 600 m |

Poziom zanieczyszczeń w powietrzu

| | |
|-------|-----------------------------------|
| Klasa | G1 wg definicji w ISA-S71.04-1985 |
|-------|-----------------------------------|

Specyfikacja modułu I/O

Informacje o modułach I/O oraz modułach przelotowych obsługiwanych w tej obudowie znajdują się w *Przewodniku po konfiguracji systemu Dell PowerEdge M1000e* w witrynie support.dell.com/manuals.

Dell PowerEdge
M1000e, M915, M910,
M905, M805, M710HD,
M710, M610x, M610,
M605 и M600

Начало работы с системой



Примечания, предупреждения и предостережения



ПРИМЕЧАНИЕ: ПРИМЕЧАНИЕ указывает на важную информацию, которая поможет использовать компьютер более эффективно.



ВНИМАНИЕ: ВНИМАНИЕ указывает на риск повреждения оборудования или потери данных в случае несоблюдения инструкций.



ОСТОРОЖНО: ОСТОРОЖНО указывает на потенциальную опасность повреждения оборудования, получения легких травм или угрозу для жизни.

Информация, содержащаяся в данной публикации, может быть изменена без уведомления.

© 2010 Dell Inc. Все права защищены.

Воспроизведение материалов данного руководства в любой форме без письменного разрешения корпорации Dell Inc. строго запрещается.

Товарные знаки, упоминаемые в данном тексте - Dell™, логотип DELL и PowerEdge™ являются товарными знаками Dell Inc. Citrix™ и XenServer® являются зарегистрированными товарными знаками или товарными знаками корпорации Citrix Systems, Inc. и/или ее дочерних компаний и могут быть зарегистрированы в Бюро по патентам и товарным знакам США и других стран. Intel® является зарегистрированным товарным знаком NVIDIA Corporation в США и других странах. Microsoft®, Windows® и Windows Server® являются товарными знаками или зарегистрированными товарными знаками Microsoft Corporation в США и/или других странах. Red Hat® и Red Hat Enterprise Linux® являются зарегистрированными товарными знаками корпорации Red Hat, Inc. в США и других странах. SUSE® является охраняемым товарным знаком корпорации Novell, Inc. в США и других странах. VMware® является охраняемым товарным знаком корпорации VMware в США и/или других юрисдикциях. Solaris™ является товарным знаком корпорации Sun Microsystems, Inc. в США и других странах.

Прочие товарные знаки и названия продуктов могут использоваться в данной публикации для обозначения компаний, заявляющих права на эти товарные знаки и названия, или продуктов этих компаний. Dell Inc. не претендует на права собственности в отношении каких-либо товарных знаков и торговых наименований, кроме своих собственных.

Модель VMX01, NHB Series, FHB Series

Декабрь 2010 P/N YCFM1 Ред. A00

Установка и настройка

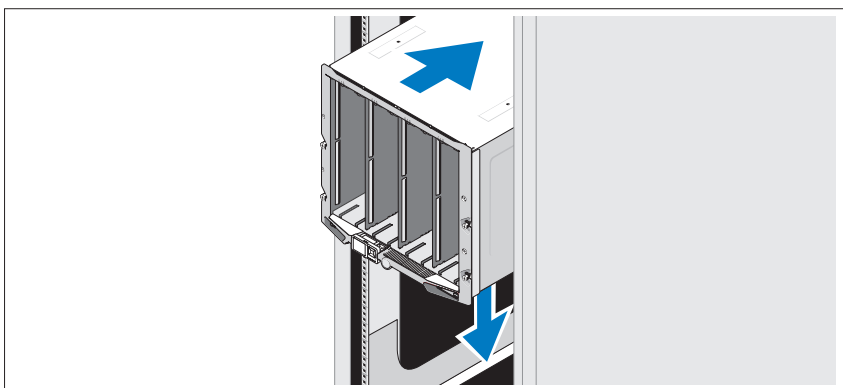
⚠ ОСТОРОЖНО: Перед тем как приступить к выполнению следующей процедуры, прочитайте инструкции по технике безопасности, прилагаемые к системе.

В данном разделе описываются действия, необходимые для первоначальной настройки системы.

Распаковка системы

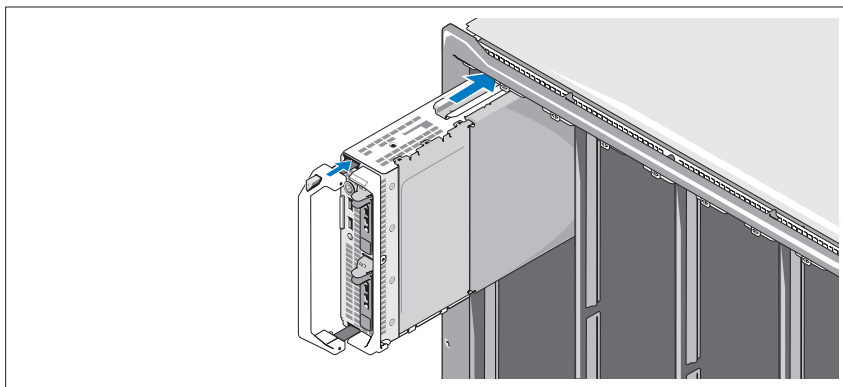
Распакуйте систему и идентифицируйте каждый элемент.

Установка направляющих и системы в стойку



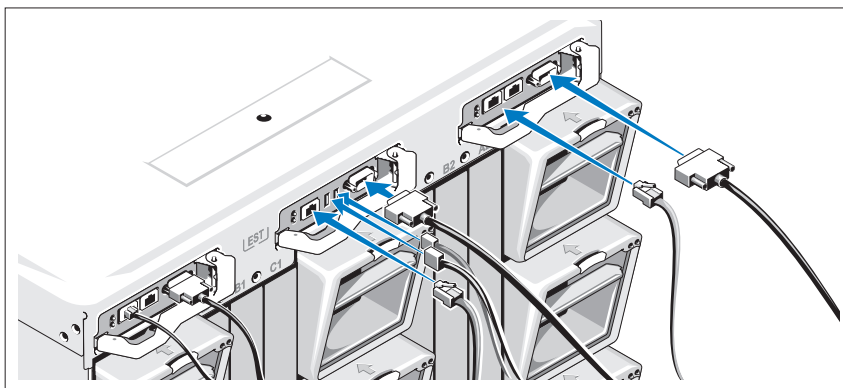
Смонтируйте направляющие и установите систему в стойку согласно инструкциям по технике безопасности и инструкциям по установке стойки, которые поставляются с корпусом.

Установка блейд-систем



Начиная сверху, вставляйте модули в модульный корпус слева направо. После правильной установки модуля ручка вернется в закрытое положение.

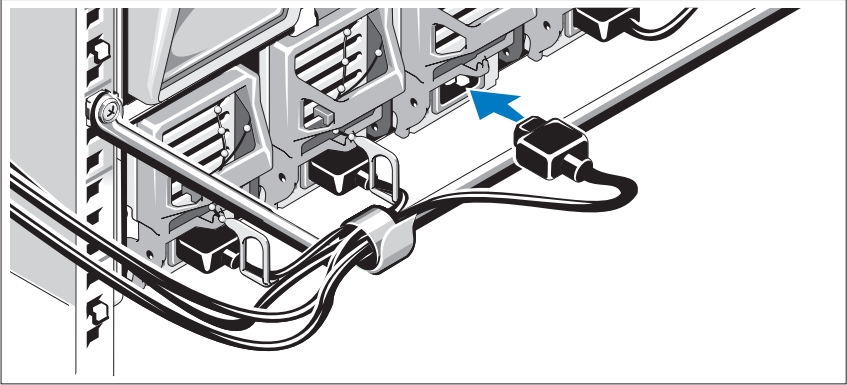
Подключение модулей контроллера шасси и KVM



Подключите систему управления к модулю контроллера шасси с помощью последовательного и сетевого кабелей. При наличии дополнительного модуля контроллера шасси подключите и его.

Подключите клавиатуру, мышь и монитор к дополнительному модулю iKVM.

Подключение электропитания к системе



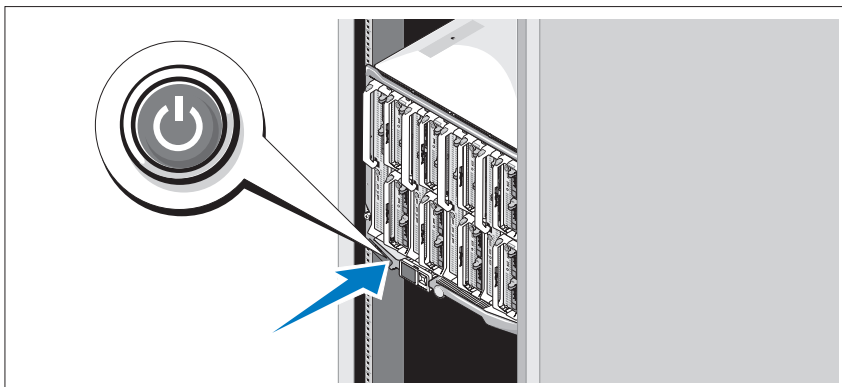
Подсоедините кабели питания системы к источникам питания.

△ ВНИМАНИЕ: Во избежание случайного отсоединения, зафиксируйте кабель питания в пластмассовом зажиме на блоке питания и с помощью ленты Velcro прикрепите кабель к панели компенсации натяжения.


Другие концы кабелей питания подключите к блоку распределения питания (PDU).

△ ВНИМАНИЕ: Не подключайте кабели питания напрямую к сетевой розетке; необходимо использовать блок распределения питания. Для оптимального функционирования системы требуется не менее трех источников питания.

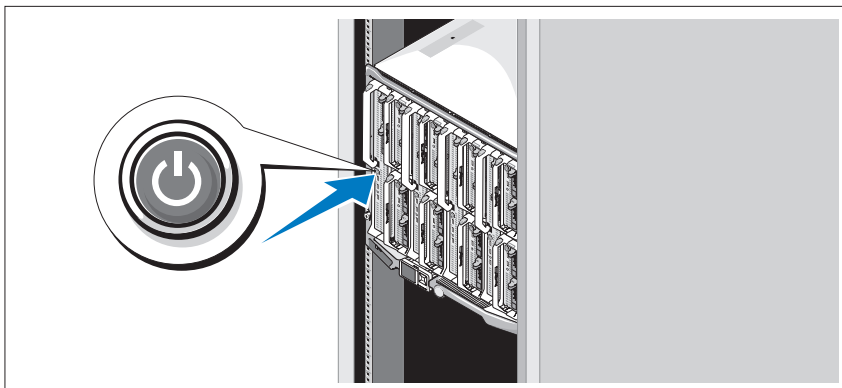
Включение системы



Нажмите кнопку питания на корпусе. Загорится индикатор питания.

 **ПРИМЕЧАНИЕ:** При подключении системы к источникам питания ее включение станет возможным после небольшой задержки.

Включение блейд-систем



Нажмите кнопку питания на каждом серверном модуле или включите питание модулей с помощью программного обеспечения для управления системами.

Завершение установки операционной системы

Если компьютер приобретен в комплекте с предустановленной операционной системой, см. соответствующую документацию, поставляемую в комплекте с компьютером. Инструкции по первоначальной установке операционной системы см. в документации по установке и настройке данной операционной системы. Операционная система должна быть установлена до установки аппаратного или программного обеспечения, которое не было приобретено вместе с системой.

Поддерживаемые операционные системы

| Операционная система | M915 | M910 | M905 | M805 | M710 | M710HD | M610 | M610x | M605 |
|---|------|------|------|------|------|--------|------|-------|------|
| Citrix XenServer 5.5 | | | ✓ | ✓ | ✓ | | ✓ | | ✓ |
| Citrix XenServer 5.6 | ✓ | ✓ | ✓ | ✓ | ✓ | ✓ | ✓ | ✓ | ✓ |
| Microsoft Windows Server 2008 Hyper-V Server | ✓ | ✓ | | | | ✓ | | | |
| Microsoft Windows Essential Business Server 2008 Standard Edition и Premium Edition | | ✓ | | | | ✓ | | ✓ | |
| Microsoft Windows HPC Server 2008 (x64) | ✓ | ✓ | | | | | | ✓ | |
| Microsoft Windows Server 2008 Standard Edition и Enterprise (x86) Edition | | ✓ | | | ✓ | ✓ | ✓ | ✓ | |
| Microsoft Windows Web Server 2008 (x86) Edition | | ✓ | | | ✓ | ✓ | ✓ | | |

| Операционная система | M915 | M910 | M905 | M805 | M710 | M710HD | M610 | M610x | M605 |
|--|-------------|-------------|-------------|-------------|-------------|---------------|-------------|--------------|-------------|
| Microsoft Windows Web Server 2008 (x86) Edition с пакетом обновлений SP2 | | ✓ | | | | | | | |
| Microsoft Windows Server 2008 Standard Edition и Enterprise (x86) Edition с пакетом обновлений SP2 | | ✓ | | | | ✓ | | ✓ | |
| Microsoft Windows Server 2008 Standard Edition, Enterprise Edition и Datacenter (x64) Edition | | ✓ | ✓ | ✓ | ✓ | | ✓ | ✓ | |
| Microsoft Windows Web Server 2008 (x64) Edition | | ✓ | | | ✓ | | ✓ | ✓ | |
| Microsoft Windows Web Server 2008 (x64) Edition с пакетом обновлений SP2 | ✓ | ✓ | | | | ✓ | | ✓ | |
| Microsoft Windows Server 2008 R2 Standard Edition, Enterprise Edition и Datacenter (x64) Edition | ✓ | ✓ | | | | ✓ | | ✓ | |
| Microsoft Windows Server 2003 Standard Edition и Enterprise Edition | | | | | | | | | ✓ |
| Microsoft Windows Server 2003 Web Edition | | ✓ | | | | | | ✓ | ✓ |

| Операционная система | M915 | M910 | M905 | M805 | M710 | M710HD | M610 | M610x | M605 |
|--|-------------|-------------|-------------|-------------|-------------|---------------|-------------|--------------|-------------|
| Microsoft Windows Server 2003 Standard Edition, Enterprise Edition и Web Edition с пакетом обновлений SP1 и более поздних версий | | | | | | | | | ✓ |
| Microsoft Windows Server 2003 R2 Standard Edition и Enterprise (x86) Edition | | ✓ | ✓ | ✓ | ✓ | | ✓ | ✓ | ✓ |
| Microsoft Windows Server 2003 Standard Edition и Enterprise (x64) Edition | | | | | | | | | ✓ |
| Microsoft Windows Server 2003 R2 Standard Edition и Enterprise x64 Edition | | | ✓ | ✓ | ✓ | | ✓ | ✓ | ✓ |
| Microsoft Windows Server 2003 R2 Datacenter (x64) Edition | | | | | ✓ | | ✓ | ✓ | |
| Microsoft Windows Server 2003 R2 Standard Edition, Enterprise Edition и Datacenter (x64) Edition с пакетом обновлений SP2 | | ✓ | | | | | | | |
| Red Hat Enterprise Linux AS, ES и WS (версия 4.0), обновление 5 (x86) | | | ✓ | ✓ | | | | | ✓ |

| Операционная система | M915 | M910 | M905 | M805 | M710 | M710HD | M610 | M610x | M605 |
|--|------|------|------|------|------|--------|------|-------|------|
| Red Hat Enterprise Linux AS, ES и WS (версия 4.0), обновление 5 (x86_64) | | | ✓ | ✓ | | | | | ✓ |
| Red Hat Enterprise Linux AS и ES (версия 4.7) (x86) | | | | | ✓ | | ✓ | | |
| Red Hat Enterprise Linux AS и ES (версия 4.7) (x86_64) | | | | | ✓ | | ✓ | | |
| Red Hat Enterprise Linux AS и ES (версия 4.8) (x86) | | | | | | ✓ | | ✓ | |
| Red Hat Enterprise Linux AS и ES (версия 4.8) (x86_64) | | | | | | ✓ | | ✓ | |
| Red Hat Enterprise Linux (версия 5.0) (x86) | | | ✓ | ✓ | | ✓ | | | ✓ |
| Red Hat Enterprise Linux (версия 5.0) (x86_64) | | | ✓ | ✓ | ✓ | ✓ | | | ✓ |
| Red Hat Enterprise Linux (версия 5.2) (x86) | | | | | ✓ | | | | |
| Red Hat Enterprise Linux (версия 5.5) (x86) | ✓ | | | | | ✓ | | ✓ | |
| Red Hat Enterprise Linux (версия 5.5) (x86_64) | ✓ | | | | | ✓ | | ✓ | |
| Red Hat Enterprise Linux (версия 6.0) (x86_64) | ✓ | | | | | | | | |
| SUSE Linux Enterprise Server 10 (x86_64) | | | ✓ | ✓ | ✓ | | | | ✓ |

| Операционная система | M915 | M910 | M905 | M805 | M710 | M710HD | M610 | M610x | M605 |
|---|------|------|------|------|------|--------|------|-------|------|
| SUSE Linux Enterprise Server 10 (x86_64) с пакетом обновлений SP3 | ✓ | ✓ | | | | ✓ | | ✓ | |
| SUSE Linux Enterprise Server 11 (x86_64) | ✓ | ✓ | | | | ✓ | | ✓ | |
| Solaris 10 (x86_64) | | ✓ | ✓ | ✓ | ✓ | ✓ | ✓ | | ✓ |
| VMware ESX версии 3.0 | | | ✓ | ✓ | ✓ | | ✓ | | |
| VMware ESX версии 3.0.2, обновление 1 | | | | | | | | | ✓ |
| VMware ESX версии 3.5 | | | ✓ | ✓ | ✓ | | ✓ | | |
| VMware ESX версии 4.0, обновление 1 | | ✓ | | | | ✓ | | ✓ | |
| VMware ESXi версии 4.0, обновление 1 | | ✓ | | | | ✓ | | ✓ | |
| VMware ESX версии 4.0, обновление 2 | ✓ | | | | | | | | |
| VMware ESXi версии 4.0, обновление 2 | ✓ | | | | | | | | |
| VMware ESX версии 4.1, обновление 1 | ✓ | | | | | | | | |
| VMware ESXi версии 4.1, обновление 1 | ✓ | | | | | | | | |

✓ — поддерживается



ПРИМЕЧАНИЕ: Актуальную информацию об операционных системах, поддерживаемых системами PowerEdge, см. на сайте dell.com/ossupport.

Прочая полезная информация



ОСТОРОЖНО! Перед тем как приступить к выполнению следующей процедуры, прочитайте инструкции по технике безопасности, прилагаемые к системе.

- В *Руководстве по настройке* содержится информация о настройке модульного корпуса и серверных модулей.
- В *Инструкциях по установке в стойку*, поставляемых вместе со стойкой, описывается установка системы в стойку.
- В *Руководстве по эксплуатации оборудования* содержится информация о характеристиках системы, порядке устранения неисправностей, установке и замене ее компонентов.
- В документации к приложению для управления системами Dell представлена информация по установке и использованию программного обеспечения для управления системой.



ПРИМЕЧАНИЕ: Обязательно проверяйте страницу support.dell.com/manuals на наличие обновлений. Обновленные документы часто заменяют собой другие материалы - читайте их в первую очередь.

Получение технической поддержки

В случае непонимания приведенной в настоящем руководстве процедуры или если система не работает должным образом, см. *Руководство по эксплуатации оборудования*. Корпорация Dell предлагает пройти полный курс обучения работе с оборудованием и получить сертификат. Дополнительная информация представлена на веб-узле dell.com/training. Службы обучения и сертификации доступны не во всех регионах.

Технические характеристики

Технические характеристики модуля

Процессор

Тип процессора

| | |
|-------------------------------------|--|
| PowerEdge M915 | Два или четыре процессора серии AMD Opteron 6000 (восьми- или двенадцатиядерные процессоры) |
| PowerEdge M910 | Два или четыре процессора серии Intel Xeon 7000 (до восьмиядерных процессоров) |
| PowerEdge M905 | Четыре двухъядерных или четырехъядерных процессора AMD Opteron 8000 |
| PowerEdge M805 | Два двухъядерных или четырехъядерных процессора AMD Opteron серии 2000 |
| PowerEdge M710HD, M710, M610x, M610 | Один или два двухъядерных, четырехъядерных или шестиядерных процессора Intel Xeon серии 5000 |
| PowerEdge M605 | Один или два двухъядерных или четырехъядерных процессора AMD Opteron серии 2000 |
| PowerEdge M600 | Один или два двухъядерных или четырехъядерных процессора Intel Xeon |

Память

Архитектура

| | |
|----------------------------|--|
| PowerEdge M915 | Низковольтные модули DIMM регистровой памяти (RDIMM) DDR3 с частотой 1333 МГц и односторонним, двусторонним или четырехсторонним расположением чипов |
| PowerEdge M910 | Модули памяти DDR3 с номинальной частотой 1066 МГц |
| PowerEdge M905, M805, M605 | Модули памяти DDR2 с номинальной частотой 677МГц |
| PowerEdge M710HD | Модули DDR3 и DDR3L с односторонним, двусторонним или четырехсторонним расположением чипов, 1066 и 1333МГц |

Память (продолжение)

| | |
|---------------------------------|--|
| PowerEdge M710, M610x, M610, | Модули DDR3 с односторонним или двусторонним расположением чипов, с частотой 800, 1066 или 1333 МГц (RDIMM) или небуферизованные модули DIMM (UDIMM) или модули DIMM регистровой памяти (RDIMM) с четырехсторонним расположением чипов, с частотой 800 или 1066 МГц или небуферизованные модули DIMM (UDIMM) |
| PowerEdge M600 | Модули памяти FBD с номинальной частотой 677 МГц |

Разъемы для модулей памяти

| | |
|------------------------|----------------------------|
| PowerEdge M915, M910 | 32 240-контактных разъема |
| PowerEdge M905 | 24 240-контактных разъема |
| PowerEdge M805 | 16 240-контактных разъемов |
| PowerEdge M710HD, M710 | 18 240-контактных разъемов |
| PowerEdge M610x, M610 | 12 240-контактных разъемов |
| PowerEdge M605, M600 | 8 240-контактных разъемов |

Емкость модулей памяти

| | |
|--------------------------------|--|
| PowerEdge M915 | Низковольтные модули DIMM емкостью 1 ГБ, 2 ГБ, 4 ГБ, 8 ГБ и 16 ГБ |
| PowerEdge M910 | Модули RDIMM емкостью 1 ГБ, 2 ГБ, 4 ГБ, 8 ГБ и 16 ГБ |
| PowerEdge M905, M805 | 1 ГБ, 2 ГБ, 4 ГБ и 8 ГБ |
| PowerEdge M710HD | 1 ГБ, 2 ГБ, 4 ГБ, 8 ГБ и 16 ГБ Модули RDIMM и LV DIMM |
| PowerEdge M710, M610x, M610 | 2 ГБ, 4 ГБ, 8 ГБ и 16 ГБ Модули RDIMM и LV DIMM; Модули UDIMM емкостью 1 ГБ или 2 ГБ |
| PowerEdge M605, M600 | 512 МБ, 1 ГБ, 2 ГБ, 4 ГБ и 8 ГБ |

Минимальный объем ОЗУ

| | |
|-----------------|---|
| PowerEdge M915 | 8 ГБ |
| PowerEdge M910 | 4 ГБ |
| PowerEdge M905 | 8 ГБ (восемь модулей памяти объемом 1 ГБ) |
| PowerEdge M805 | 4 ГБ (четыре модуля памяти объемом 1 ГБ) |
| PowerEdge M710D | 4 ГБ |

Память (продолжение)

| | |
|-----------------------------|--|
| PowerEdge M710, M610x, M610 | Один модуль памяти объемом 1 ГБ (однопроцессорные системы) или два модуля памяти объемом 1 ГБ (двухпроцессорные системы) |
| PowerEdge M605, M600 | 1 ГБ (два модуля памяти по 512 МБ) |

Максимальный объем ОЗУ

| | |
|-----------------------|---|
| PowerEdge M915 | 512 ГБ |
| PowerEdge M910 | 512 ГБ |
| PowerEdge M905 | 192 ГБ |
| PowerEdge M805 | 128 ГБ |
| PowerEdge M710HD | 288 ГБ |
| PowerEdge M710 | 288 ГБ (18 модулей RDIMM по 16 ГБ); 36 ГБ (18 модулей UDIMM по 2 ГБ) |
| PowerEdge M610x, M610 | 192 ГБ (двенадцать модулей RDIMM по 16 ГБ); 24 ГБ (двенадцать модулей UDIMM по 2 ГБ) |
| PowerEdge M605, M600 | 64 ГБ |

Накопители

Жесткие диски

| | |
|----------------------|--|
| PowerEdge M915, M910 | Поддержка до двух 2,5-дюймовых жестких дисков SAS с помощью конфигурации RAID или производительной карты памяти RAID. <i>или</i> Поддержка до двух 2,5-дюймовых жестких дисков SSD с помощью конфигурации RAID или производительной карты памяти RAID. |
| PowerEdge M905, M805 | Поддержка до двух 2,5-дюймовых жестких дисков SAS с помощью конфигурации RAID или производительной карты памяти RAID. |
| PowerEdge M710HD | Поддержка до двух 2,5-дюймовых жестких дисков SAS с помощью встроенного контроллера памяти PERC H200. <i>или</i> Поддержка до двух 2,5-дюймовых жестких дисков SSD с помощью встроенного контроллера памяти PERC H200. |
| PowerEdge M710 | Поддержка до четырех 2,5-дюймовых жестких дисков SAS с помощью конфигурации RAID или производительной карты памяти RAID. |

Накопители (продолжение)

PowerEdge M600,
M610x, M610

Поддержка одного 2,5-дюймового жесткого диска SATA с помощью конфигурации RAID, производительной карты памяти RAID или без RAID.

или

Поддержка двух 2,5-дюймовых жестких дисков SATA с помощью конфигурации RAID или производительной карты памяти RAID.

или

Поддержка одного твердотельного жесткого диска (SSD) с помощью карты памяти без RAID.

или

Поддержка до двух жестких дисков SAS с помощью конфигурации RAID или производительной карты памяти RAID.

PowerEdge M605

Поддержка до двух жестких дисков SATA с помощью конфигурации RAID или производительной карты памяти RAID.

или

Поддержка до двух твердотельных жестких дисков (SSD) с помощью карты памяти без RAID.

или

Поддержка до двух жестких дисков SAS с помощью конфигурации RAID или производительной карты памяти RAID.

ПРИМЕЧАНИЕ: Во всех модульных системах жесткие диски SAS и SATA не могут комбинироваться в блейд-сервере.

ПРИМЕЧАНИЕ: Операции горячей замены не поддерживаются, если установлена дополнительная плата контроллера RAID.

Разъемы

Внешний

Шина USB

PowerEdge M915, M910,
M905, M805, M710

Три 4-контактных разъема, совместимых с USB 2.0

PowerEdge M710HD,
M610x, M610, M605,
M600

Два 4-контактных разъема, совместимых с USB 2.0

Разъемы (продолжение)

Внутренние

| | |
|--|---|
| Внутренний модуль памяти Secure Digital (SD) (PowerEdge M915, M910, M905, M805, M710HD, M710, M610x, M610) | Одно гнездо для дополнительной карты флэш-памяти с внутренним модулем SD. |
| Внутренний модуль памяти Secure Digital (SD) и vFlash (PowerEdge M915, M910, M710HD, M710, M610x, M610) | Одно дополнительное гнездо для карты памяти vFlash с поддержкой iDRAC Enterprise. |
| USB-ключ (PowerEdge M915, M910, M710HD, M710, M610x, M610) | Один внутренний разъем USB-ключа. |

Расширение PCIe

| | |
|-----------------|--|
| PowerEdge M610x | Поддержка двух стандартных карт PCIe, полноразмерных по длине, одинарной или двойной ширины. |
|-----------------|--|

Карты Mezzanine

| | |
|----------------------|--|
| PowerEdge M915, M910 | До четырех разъемов PCIe Gen 2 x8 для карт Mezzanine, поддерживающих двухпортовые карты Mezzanine Gb Ethernet, 10 Gb Ethernet, FC8 Fibre Channel или Infiniband. |
| PowerEdge M905, M805 | До четырех разъемов PCIe Gen 1 x8 для карт Mezzanine, поддерживающих двухпортовые карты Mezzanine Gb Ethernet, 10 Gb Ethernet, FC8 или FC4 Fibre Channel или 4x DDR Infiniband. |
| PowerEdge M710HD | Один или два разъема PCIe Gen 2 x8 для карт Mezzanine, поддерживающих двухпортовые и четырехпортовые карты Mezzanine Gb Ethernet, 10 Gb Ethernet, FC8 или FC4 Fibre Channel, или 4x DDR Infiniband. |
| PowerEdge M710 | До четырех разъемов PCIe Gen 2 для плат Mezzanine (три x8 и один с шириной дорожки x4), поддерживающих двухпортовые карты Mezzanine Gb Ethernet, 10 Gb Ethernet, FC8 или FC4 Fibre Channel, или 4x DDR Infiniband. |

Карты Mezzanine (продолжение)

| | |
|-----------------------|--|
| PowerEdge M610x, M610 | Один или два разъема PCIe Gen 2 x8 для карт Mezzanine, поддерживающих двухпортовые карты Mezzanine Gb Ethernet, 10 Gb Ethernet, FC8 или FC4 (только M610) Fibre Channel или 4x DDR Infiniband. |
| PowerEdge M605, M600 | Один или два разъема PCIe x8 для карт Mezzanine, поддерживающих двухпортовые карты Mezzanine Gb Ethernet, 10 Gb Ethernet, FC8 или FC4 Fibre Channel, или 4x DDR Infiniband. |

Встроенные контроллеры Ethernet

| | |
|--|---|
| PowerEdge M915, M910, M905, M805, M710HD, M710 | Четыре порта Ethernet с TOE и поддержкой загрузки через iSCSI на двух встроенных двухпортовых контроллерах Ethernet Broadcom 5709S. |
| PowerEdge M610x, M610 | Два порта Ethernet с TOE и поддержкой загрузки через iSCSI на одном встроенном двухпортовом контроллере Ethernet Broadcom 5709S. |
| PowerEdge M605, M600 | Два порта Ethernet с TOE и поддержкой загрузки через iSCSI на двух встроенных контроллерах Broadcom 5708S. |

Видеоконтроллер

| | |
|---|---|
| PowerEdge M905, M805, M605, M600 | Видеоконтроллер ATI RN50. 32 МБ видеопамати |
| PowerEdge M915, M910, M710HD, M710, M610x, M610 | Видеоконтроллер Matrox G200. 8 МБ видеопамати |

Физические характеристики

| | |
|----------------------------|---------|
| PowerEdge M915 | |
| Высота | 38,5 см |
| Ширина | 5 см |
| Длина | 48,6 см |
| Масса (макс. конфигурация) | 12,7 кг |

Физические характеристики (продолжение)

PowerEdge M910

| | |
|----------------------------|---------|
| Высота | 38,5 см |
| Ширина | 5 см |
| Длина | 48,6 см |
| Масса (макс. конфигурация) | 13,1 кг |

PowerEdge M905, M805, M710, M610x

| | |
|----------------------------|---------|
| Высота | 38,5 см |
| Ширина | 5 см |
| Длина | 48,6 см |
| Масса (макс. конфигурация) | 11,1 кг |

PowerEdge M710HD

| | |
|----------------------------|---------|
| Высота | 18,9 см |
| Ширина | 5 см |
| Длина | 48,6 см |
| Масса (макс. конфигурация) | 7,4 кг |

PowerEdge M605, M600

| | |
|----------------------------|------------|
| Высота | 18,9 см |
| Ширина | 5 см |
| Длина | 48,6 см |
| Масса (макс. конфигурация) | 5,2–6,4 кг |

Аккумулятор

| | |
|-------------------------|---|
| Резервная батарея NVRAM | Круглая плоская аккумуляторная батарея CR 2032, 3,0 В |
|-------------------------|---|

Технические характеристики модульного корпуса

Физические характеристики

| | |
|----------------------------|----------|
| Высота | 44,0 см |
| Ширина | 44,7 см |
| Длина | 75,5 см |
| Масса (макс. конфигурация) | 178,3 кг |
| Масса (пустой) | 44,6 кг |

Модуль блока питания

Источник питания переменного/постоянного тока (для каждого блока питания)

| | |
|--------------------------|--|
| Мощность | 2360 Вт и 2700 Вт |
| Разъем | IEC C20 |
| Теплоотдача | 1205 БТЕ/ч макс. |
| Максимальный бросок тока | При стандартных параметрах питающей сети и во всем рабочем диапазоне внешних параметров системы бросок тока может достигать 55 А на блок питания длительностью до 10 мс. |
| Требования напряжения | 14,4 А, 200–240 В переменного тока, 50/60 Гц |

Дополнительный модуль Avocent iKVM

Доступные снаружи разъемы

| | |
|----------|--|
| Шина USB | Два 4-контактных разъема, совместимых с USB 2.0, для подключения мыши и клавиатуры |
| АСI-порт | RJ-45 |
| Видео | 15-контактный разъем VGA |

Модуль контроллера шасси

Доступные снаружи разъемы

| | |
|-----------------------|--|
| Удаленное управление | Два выделенных порта RJ-45 10/100/1000 Мб (для встроенного контроллера удаленного доступа через Ethernet). Гигабитный порт подключается к внешней сети управления. Порт STK позволяет последовательно подключать друг к другу модули контроллера шасси в смежных корпусах. |
| Последовательный порт | 9-контактный разъем DTE, совместимый с 16550 |
| Видео | 15-контактный разъем VGA |

| | |
|-------------|---|
| Аккумулятор | Литиевая батарейка типа «таблетка» CR 2032, 3,0 В |
|-------------|---|

Панель управления модульного корпуса

Доступные снаружи разъемы

| | |
|----------|--|
| Шина USB | Два 4-контактных разъема, совместимых с USB 2.0, для подключения мыши и клавиатуры |
| Видео | 15-контактный разъем VGA |

| | |
|------------|--|
| ЖК-монитор | |
| Компоненты | Четыре кнопки управления курсором, одна кнопка выбора и ЖК-монитор |

Условия эксплуатации

ПРИМЕЧАНИЕ: Дополнительную информацию о параметрах окружающей среды для установки определенных конфигураций системы см. на веб-странице dell.com/environmental_datasheets. Система не предназначена для использования в офисах.

Температура

| | |
|-------------------|---|
| В процессе работы | От +10°C до +35°C ПРИМЕЧАНИЕ: Следует снижать максимальную температуру на 1 °C на каждые 300 м при высоте свыше 900 м . |
| Во время хранения | От -40 °C до +65 °C |

Условия эксплуатации (продолжение)

Относительная влажность

| | |
|-------------------|---|
| В процессе работы | от 20% до 80% (без конденсации) при максимальной температуре по влажному термометру 29 °C |
| Во время хранения | от 5% до 95% (без конденсации) при максимальной температуре по влажному термометру 38 °C |

Максимальная вибрация

| | |
|-------------------|--|
| В процессе работы | 0,26 Grms при частоте 10–350 Гц в течение 15 мин |
| Во время хранения | 1,54 Grms при частоте 10–250 Гц в течение 15 мин |

Максимальная ударная нагрузка

| | |
|-------------------|---|
| В процессе работы | Один ударный импульс 41 G длительностью не более 2 мс в положительном направлении по оси Z (по одному импульсу с каждой стороны системы) |
| Во время хранения | Шесть последовательных ударных импульсов 71 G длительностью не более 2 мс в положительном и отрицательном направлениях по осям X, Y и Z (по одному импульсу с каждой стороны системы) |

Высота над уровнем моря

| | |
|-------------------|------------------------|
| В процессе работы | От –15,2 м до 3 048 м |
| Во время хранения | От –15,2 м до 10 600 м |

Уровень загрязняющих веществ в атмосфере

| | |
|-------|---|
| Класс | G1 согласно классификации ISA-S71.04-1985 |
|-------|---|

Технические характеристики модуля ввода-вывода

Для получения сведений о поддерживаемых корпусом модулях ввода-вывода и модулей транзита данных см. *Руководство по настройке систем Dell PowerEdge M1000e* на веб-узле support.dell.com/manuals.

Dell PowerEdge
M1000e, M915, M910, M905,
M805, M710HD, M710, M610x,
M610, M605 y M600

Procedimientos iniciales con el sistema



Notas, precauciones y avisos



NOTA: Una NOTA proporciona información importante que le ayudará a utilizar mejor el equipo.



PRECAUCIÓN: Un mensaje de PRECAUCIÓN indica la posibilidad de que se produzcan daños en el hardware o haya pérdida de datos si no se siguen las instrucciones.



AVISO: Un AVISO indica la posibilidad de que se produzcan daños materiales, lesiones personales e, incluso, riesgo de muerte.

La información contenida en esta publicación podrá modificarse sin previo aviso.

© 2010 Dell Inc. Todos los derechos reservados.

Queda estrictamente prohibida la reproducción de este material en cualquier forma sin la autorización escrita de Dell Inc.

Las marcas comerciales que se utilizan en este texto: Dell™, el logotipo de DELL y PowerEdge™ son marcas comerciales de Dell Inc. Citrix™ y XenServer® son marcas comerciales o marcas comerciales registradas de Citrix Systems, Inc. o de una o más de sus subsidiarias, y pueden estar registradas en la Oficina de Patentes y Marcas de los Estados Unidos y en otros países. Intel® es una marca comercial registrada de Intel Corporation en los Estados Unidos y en otros países. Microsoft®, Windows®, y Windows Server® son marcas comerciales o marcas comerciales registradas de Microsoft Corporation en los Estados Unidos o en otros países. Red Hat® y Red Hat Enterprise Linux® son marcas comerciales registradas de Red Hat, Inc. en los Estados Unidos y en otros países. SUSE® es una marca comercial registrada de Novell, Inc. en los Estados Unidos y en otros países. VMware® es una marca comercial o marca comercial registrada (las “Marcas”) de VMware, Inc. en los Estados Unidos o en otras jurisdicciones. Solaris™ es una marca comercial de Sun Microsystems, Inc. en los Estados Unidos y en otros países.

Esta publicación puede incluir otras marcas y nombres comerciales que se utilicen para hacer referencia a sus titulares o a sus productos. Dell Inc. renuncia a cualquier interés sobre la propiedad de marcas y nombres comerciales que no sean los suyos propios.

Modelo BMX01, serie HHB, serie FHB

Diciembre de 2010

N/P YCFM1

Rev. A00

Instalación y configuración

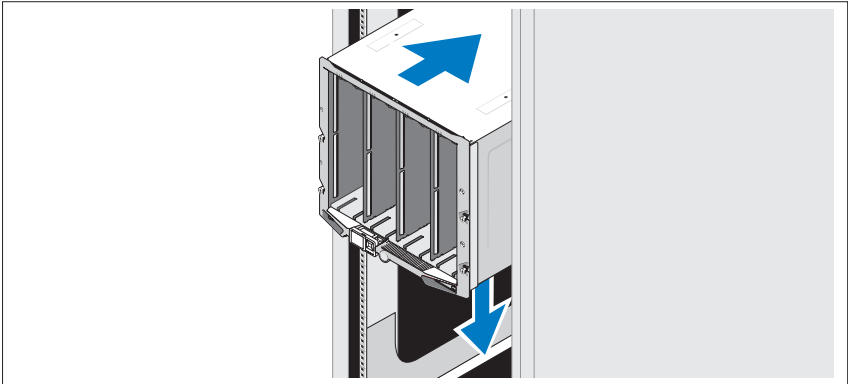
! **AVISO:** Antes de realizar el procedimiento siguiente, revise las instrucciones de seguridad incluidas con el sistema.

En esta sección, se describen los pasos necesarios para configurar el sistema por primera vez.

Desembalaje del sistema

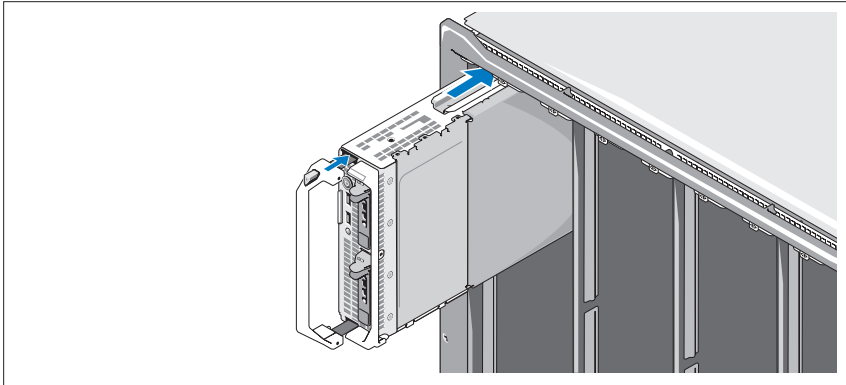
Desembale el sistema e identifique cada elemento.

Instalación de los rieles y del sistema en un rack



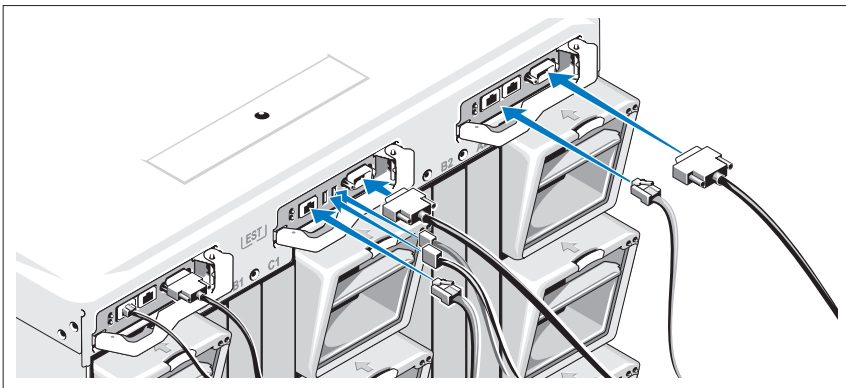
Monte los rieles e instale el sistema en el rack siguiendo las instrucciones de seguridad y de instalación del rack incluidas con el alojamiento.

Instalación de los módulos de alta densidad



Empezando por la parte superior, inserte los módulos en el alojamiento de izquierda a derecha. Una vez que el módulo de alta densidad esté bien instalado, el asa volverá a la posición de cierre.

Conexión de los módulos CMC y KVM



Conecte el cable serie y los cables de red del sistema de administración al módulo CMC. Si va a instalar un segundo módulo CMC opcional, conéctelo también.

Conecte el teclado, el ratón y el monitor al módulo iKVM opcional.

Conexión del sistema a la alimentación



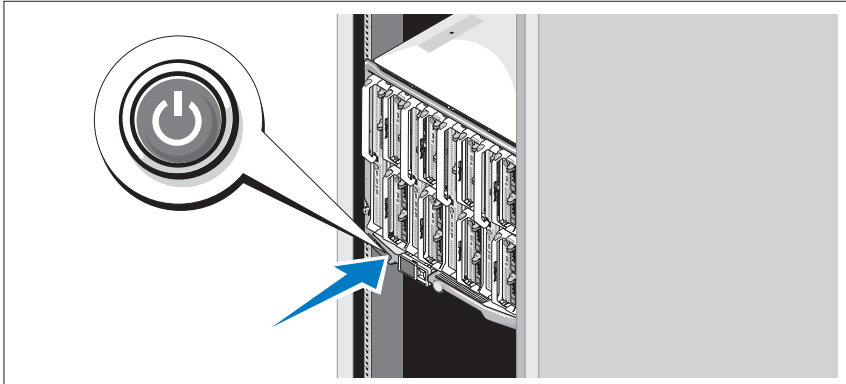
Conecte los cables de alimentación del sistema a las fuentes de alimentación.

△ **PRECAUCIÓN:** Para evitar que los cables de alimentación se desconecten accidentalmente, utilice el gancho de plástico de cada fuente de alimentación para fijar el cable a la fuente de alimentación, y utilice la correa de velcro para fijar el cable a la barra liberadora de tensión.

Enchufe el otro extremo de los cables de alimentación en la unidad de distribución de alimentación (PDU).

△ **PRECAUCIÓN:** No enchufe los cables de alimentación directamente a un toma eléctrico; debe utilizar una PDU. Para que el sistema funcione de forma óptima, se necesitan tres fuentes de alimentación como mínimo.

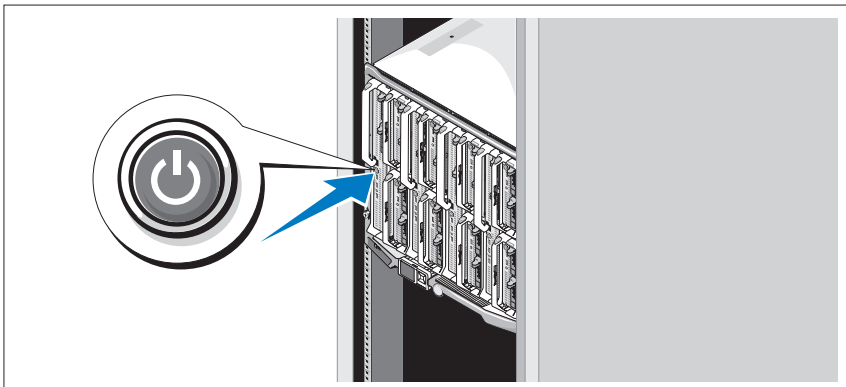
Encendido del sistema



Pulse el botón de encendido del alojamiento. El indicador de alimentación debería encenderse.

NOTA: Después de conectar el sistema a las fuentes de alimentación, puede producirse una pequeña demora antes de poder encender el sistema.

Encendido de los módulos de alta densidad



Pulse el botón de encendido de cada módulo de alta densidad o encienda los módulos mediante el software de administración de sistemas.

Instalación del sistema operativo

Si ha adquirido un sistema operativo preinstalado, consulte la documentación del sistema operativo que se suministra con el sistema. Para instalar un sistema operativo por primera vez, consulte la documentación de instalación y configuración del sistema operativo. Asegúrese de que el sistema operativo está instalado antes de instalar hardware o software no adquirido con el sistema.

Sistemas operativos compatibles

| Sistema operativo | M915 | M910 | M905 | M805 | M710 | M710HD | M610 | M610x | M605 |
|--|------|------|------|------|------|--------|------|-------|------|
| Citrix XenServer 5.5 | | | ✓ | ✓ | ✓ | | ✓ | | ✓ |
| Citrix XenServer 5.6 | ✓ | ✓ | ✓ | ✓ | ✓ | ✓ | ✓ | ✓ | ✓ |
| Servidor Microsoft Windows Server 2008 Hyper-V | ✓ | ✓ | | | | ✓ | | | |
| Microsoft Windows Essential Business Server 2008, ediciones Standard y Premium | | ✓ | | | | ✓ | | ✓ | |
| Microsoft Windows HPC Server 2008 (x64) | ✓ | ✓ | | | | | | ✓ | |
| Microsoft Windows Server 2008, ediciones Standard y Enterprise (x86) | | ✓ | | | ✓ | ✓ | ✓ | ✓ | |
| Microsoft Windows Web Server 2008 edición (x86) | | ✓ | | | ✓ | ✓ | ✓ | | |
| Microsoft Windows Web Server 2008 edición (x86) con SP2 | | ✓ | | | | | | | |

| Sistema operativo | M915 | M910 | M905 | M805 | M710 | M710HD | M610 | M610x | M605 |
|--|-------------|-------------|-------------|-------------|-------------|---------------|-------------|--------------|-------------|
| Microsoft Windows Server 2008, ediciones Standard y Enterprise (x86) con SP2 | | ✓ | | | | ✓ | | ✓ | |
| Microsoft Windows Server 2008, ediciones Standard, Enterprise y Datacenter (x64) | | ✓ | ✓ | ✓ | ✓ | | ✓ | ✓ | |
| Microsoft Windows Web Server 2008 edición (x64) | | ✓ | | | ✓ | | ✓ | ✓ | |
| Microsoft Windows Web Server 2008 edición (x64) con SP2 | ✓ | ✓ | | | | ✓ | | ✓ | |
| Microsoft Windows Server 2008 R2, ediciones Standard, Enterprise y Datacenter (x64) | ✓ | ✓ | | | | ✓ | | ✓ | |
| Microsoft Windows Server 2003, ediciones Standard y Enterprise | | | | | | | | | ✓ |
| Microsoft Windows Server 2003, edición Web | | ✓ | | | | | | ✓ | ✓ |
| Microsoft Windows Server 2003, ediciones Standard, Enterprise y Web con SP1, y posteriores | | | | | | | | | ✓ |
| Microsoft Windows Server 2003 R2, ediciones Standard y Enterprise (x86) | | ✓ | ✓ | ✓ | ✓ | | ✓ | ✓ | ✓ |

| Sistema operativo | M915 | M910 | M905 | M805 | M710 | M710HD | M610 | M610x | M605 |
|---|-------------|-------------|-------------|-------------|-------------|---------------|-------------|--------------|-------------|
| Microsoft Windows Server 2003, ediciones Standard y Enterprise (x64) | | | | | | | | | ✓ |
| Microsoft Windows Server 2003 R2, ediciones Standard y Enterprise (x64) | | | ✓ | ✓ | ✓ | | ✓ | ✓ | ✓ |
| Microsoft Windows Server 2003 R2, edición Datacenter (x64) | | | | | ✓ | | ✓ | ✓ | |
| Microsoft Windows Server 2003 R2, ediciones Standard, Enterprise y Datacenter (x64) con SP2 | | ✓ | | | | | | | |
| Red Hat Enterprise Linux AS, ES y WS (versión 4.0) actualización 5 (x86) | | | ✓ | ✓ | | | | | ✓ |
| Red Hat Enterprise Linux AS, ES y WS (versión 4.0) actualización 5 (x86_64) | | | ✓ | ✓ | | | | | ✓ |
| Red Hat Enterprise Linux AS y ES (versión 4.7) (x86) | | | | | ✓ | | ✓ | | |
| Red Hat Enterprise Linux AS y ES (versión 4.7) (x86_64) | | | | | ✓ | | ✓ | | |
| Red Hat Enterprise Linux AS y ES (versión 4.8) (x86) | | | | | | ✓ | | ✓ | |

| Sistema operativo | M915 | M910 | M905 | M805 | M710 | M710HD | M610 | M610x | M605 |
|---|-------------|-------------|-------------|-------------|-------------|---------------|-------------|--------------|-------------|
| Red Hat Enterprise Linux AS y ES (versión 4.8) (x86_64) | | | | | | ✓ | | ✓ | |
| Red Hat Enterprise Linux (versión 5.0) (x86) | | | ✓ | ✓ | | ✓ | | | ✓ |
| Red Hat Enterprise Linux (versión 5.0) (x86_64) | | | ✓ | ✓ | ✓ | ✓ | | | ✓ |
| Red Hat Enterprise Linux (versión 5.2) (x86) | | | | | ✓ | | | | |
| Red Hat Enterprise Linux (versión 5.5) (x86) | ✓ | | | | | ✓ | | ✓ | |
| Red Hat Enterprise Linux (versión 5.5) (x86_64) | ✓ | | | | | ✓ | | ✓ | |
| Red Hat Enterprise Linux (versión 6.0) (x86_64) | ✓ | | | | | | | | |
| SUSE Linux Enterprise Server 10 (x86_64) | | | ✓ | ✓ | ✓ | | | | ✓ |
| SUSE Linux Enterprise Server 10 (x86_64) SP3 | ✓ | ✓ | | | | ✓ | | ✓ | |
| SUSE Linux Enterprise Server 11 (x86_64) | ✓ | ✓ | | | | ✓ | | ✓ | |
| Solaris 10 (x86_64) | | ✓ | ✓ | ✓ | ✓ | ✓ | ✓ | | ✓ |
| VMware ESX Versión 3.0 | | | ✓ | ✓ | ✓ | | ✓ | | |
| VMware ESX versión 3.0.2 actualización 1 | | | | | | | | | ✓ |
| VMware ESX Versión 3.5 | | | ✓ | ✓ | ✓ | | ✓ | | |

| Sistema operativo | M915 | M910 | M905 | M805 | M710 | M710HD | M610 | M610x | M605 |
|---|------|------|------|------|------|--------|------|-------|------|
| VMware ESX versión 4.0 actualización 1 | | ✓ | | | | ✓ | | ✓ | |
| VMware ESXi versión 4.0 actualización 1 | | ✓ | | | | ✓ | | ✓ | |
| VMware ESX versión 4.0 actualización 2 | ✓ | | | | | | | | |
| VMware ESXi versión 4.0 actualización 2 | ✓ | | | | | | | | |
| VMware ESX versión 4.1 actualización 1 | ✓ | | | | | | | | |
| VMware ESXi versión 4.1 actualización 1 | ✓ | | | | | | | | |

✓: compatible



NOTA: Para obtener la información más reciente sobre los sistemas operativos compatibles para todos los sistemas PowerEdge, visite dell.com/ossupport.

Otra información útil



AVISO: Antes de realizar el procedimiento siguiente, revise las instrucciones de seguridad incluidas con el sistema.

- La *Guía de configuración* proporciona información sobre cómo configurar el alojamiento del sistema y los módulos de alta densidad.
- En las *Instrucciones de instalación del rack* incluidas con el rack, se describe cómo instalar el sistema en un rack.
- En el *Manual del propietario de hardware*, se proporciona información acerca de las funciones del sistema y se describe cómo solucionar problemas del sistema e instalar o sustituir componentes.
- En la documentación de la aplicación de administración de sistemas Dell, se proporciona información sobre cómo instalar y utilizar el software de administración de sistemas.



NOTA: Siempre compruebe si hay actualizaciones en support.dell.com/manuals y léalas primero, ya que a menudo éstas sustituyen la información contenida en otros documentos.

Obtención de asistencia técnica

Si no comprende alguno de los procedimientos que se describen en esta guía o si el sistema no funciona del modo esperado, consulte el *Manual del propietario de hardware*. Dell cuenta con una amplia oferta de formación y certificación sobre el hardware. Para obtener más información, consulte dell.com/training. Es posible que este servicio no se ofrezca en todas las regiones.

Información de la NOM (sólo para México)

La información que se proporciona a continuación aparece en el dispositivo que se describe en este documento, en cumplimiento con los requisitos de la Norma Oficial Mexicana (NOM):

Importador: Dell Inc. de México, S.A. de C.V.
Paseo de la Reforma 2620 -11º Piso
Col. Lomas Altas
11950 México, D.F.

Número de modelo: BMX01
Voltaje de alimentación: 100-240 V CA
Frecuencia: 50/60 Hz
Consumo eléctrico: 16 (x6) A

Importador: Dell Inc. de México, S.A. de C.V.
Paseo de la Reforma 2620 -11º Piso
Col. Lomas Altas
11950 México, D.F.

Número de modelo: FHB
Voltaje de alimentación: 12 V CC
Consumo eléctrico: 75 A

Importador: Dell Inc. de México, S.A. de C.V.
Paseo de la Reforma 2620 -11º Piso
Col. Lomas Altas
11950 México, D.F.

Número de modelo: HHB
Voltaje de alimentación: 12 V CC
Consumo eléctrico: 37 A

Especificaciones técnicas

Especificaciones del módulo de alta densidad

Procesador

Tipo de procesador

| | |
|--------------------------------------|--|
| PowerEdge M915 | Dos o cuatro procesadores AMD Opteron serie 6000 (procesadores de ocho o doce núcleos) |
| PowerEdge M910 | Dos o cuatro procesadores Intel Xeon serie 7000 (procesadores de hasta ocho núcleos) |
| PowerEdge M905 | Cuatro procesadores AMD Opteron serie 8000 de dos o cuatro núcleos |
| PowerEdge M805 | Dos procesadores AMD Opteron serie 2000 de dos o cuatro núcleos |
| PowerEdge M710HD, M710, M610x y M610 | Uno o dos procesadores Intel Xeon serie 5000 de dos, cuatro o seis núcleos |
| PowerEdge M605 | Uno o dos procesadores AMD Opteron serie 2000 de dos o cuatro núcleos |
| PowerEdge M600 | Uno o dos procesadores Intel Xeon de dos o cuatro núcleos |

Memoria

Arquitectura

| | |
|------------------------------|--|
| PowerEdge M915 | Módulos DIMM DDR3 (RDIMM) LV simples, duales o cuádruples a 1 333 MHz |
| PowerEdge M910 | Módulos de memoria DDR3 clasificados para funcionar a 1 066 MHz |
| PowerEdge M905, M805 y M605 | Módulos de memoria DDR2 clasificados para funcionar a 677 MHz |
| PowerEdge M710HD | Módulos de memoria DDR3 y DDR3L simples, duales y cuádruples, clasificados para funcionar a 1 066 y 1 333 MHz |
| PowerEdge M710, M610x y M610 | Módulos DIMM registrados (RDIMM) o sin búfer (UDIMM) DDR3 simples o duales a 800, 1066 o 1333 MHz o bien Módulos DIMM registrados (RDIMM) o sin búfer (UDIMM) DDR3 cuádruples a 800 o 1066 MHz |

Memoria (continuación)

| | |
|----------------|--|
| PowerEdge M600 | Módulos de memoria FBD clasificados para funcionar a 677 MHz |
|----------------|--|

Zócalos de módulo de memoria

| | |
|-------------------------|-------------------------|
| PowerEdge M915 y M910 | 32 zócalos de 240 patas |
| PowerEdge M905 | 24 zócalos de 240 patas |
| PowerEdge M805 | 16 zócalos de 240 patas |
| PowerEdge M710HD y M710 | 18 zócalos de 240 patas |
| PowerEdge M610x y M610 | 12 zócalos de 240 patas |
| PowerEdge M605 y M600 | 8 zócalos de 240 patas |

Capacidad del módulo de memoria

| | |
|------------------------------|---|
| PowerEdge M915 | Módulos DIMM LV de 1 GB, 2 GB, 4 GB, 8 GB y 16 GB |
| PowerEdge M910 | Módulos RDIMM de 1 GB, 2 GB, 4 GB, 8 GB y 16 GB |
| PowerEdge M905 y M805 | 1 GB, 2 GB, 4 GB y 8 GB |
| PowerEdge M710HD | 1 GB, 2 GB, 4 GB, 8 GB y 16 GB Módulos RDIMM y DIMM LV |
| PowerEdge M710, M610x y M610 | 2 GB, 4 GB, 8 GB y 16 GB Módulos RDIMM y DIMM LV; Módulos UDIMM de 1 y 2 GB |
| PowerEdge M605 y M600 | 512 MB, 1 GB, 2 GB, 4 GB y 8 GB |

RAM mínima

| | |
|------------------------------|--|
| PowerEdge M915 | 8 GB |
| PowerEdge M910 | 4 GB |
| PowerEdge M905 | 8 GB (ocho módulos de memoria de 1 GB) |
| PowerEdge M805 | 4 GB (cuatro módulos de memoria de 1 GB) |
| PowerEdge M710D | 4 GB |
| PowerEdge M710, M610x y M610 | Un módulo de memoria de 1 GB (sistemas de un procesador) o dos módulos de memoria de 1 GB (sistemas de dos procesadores) |
| PowerEdge M605 y M600 | 1 GB (dos módulos de memoria de 512 MB) |

Memoria (continuación)

RAM máxima

| | |
|---------------------------|---|
| PowerEdge M915 | 512 GB |
| PowerEdge M910 | 512 GB |
| PowerEdge M905 | 192 GB |
| PowerEdge M805 | 128 GB |
| PowerEdge M710HD | 288 GB |
| PowerEdge M710 | 288 GB (18 módulos RDIMM de 16 GB); 36 GB (18 módulos UDIMM de 2 GB) |
| PowerEdge M610x y M610 | 192 GB (12 módulos RDIMM de 16 GB); 24 GB (12 módulos UDIMM de 2 GB) |
| PowerEdge M605 y M600 | 64 GB |

Unidades

Unidades de disco duro

| | |
|-----------------------|---|
| PowerEdge M915 y M910 | Se admiten hasta dos unidades de disco duro SAS de 2,5 pulgadas mediante tarjeta de almacenamiento RAID básica o RAID de alto rendimiento. <i>O bien</i> Se admiten hasta dos unidades de disco duro SSD de 2,5 pulgadas mediante tarjeta de almacenamiento RAID básica o RAID de alto rendimiento. |
| PowerEdge M905 y M805 | Se admiten hasta dos unidades de disco duro SAS de 2,5 pulgadas mediante tarjeta de almacenamiento RAID básica o RAID de alto rendimiento. |
| PowerEdge M710HD | Se admiten hasta dos unidades de disco duro SAS de 2,5 pulgadas mediante controladora de almacenamiento integrada PERC H200. <i>O bien</i> Se admiten hasta dos unidades de disco duro SSD de 2,5 pulgadas mediante controladora de almacenamiento integrada PERC H200. |
| PowerEdge M710 | Se admiten hasta cuatro unidades de disco duro SAS de 2,5 pulgadas mediante tarjeta de almacenamiento RAID básica o RAID de alto rendimiento. |

Unidades *(continuación)*

| | |
|------------------------------|--|
| PowerEdge M600, M610x y M610 | <p>Se admite una unidad de disco duro SATA de 2,5 pulgadas mediante tarjeta de almacenamiento sin RAID, RAID básica o RAID de alto rendimiento.</p> <p><i>O bien</i></p> <p>Se admiten dos unidades de disco duro SATA de 2,5 pulgadas mediante tarjeta de almacenamiento RAID básica o RAID de alto rendimiento.</p> <p><i>O bien</i></p> <p>Se admite una unidad de disco duro sólido (SSD) mediante tarjeta de almacenamiento sin RAID.</p> <p><i>O bien</i></p> <p>Se admiten hasta dos unidades de disco duro SAS mediante tarjeta de almacenamiento RAID básica o RAID de alto rendimiento.</p> |
| PowerEdge M605 | <p>Se admiten hasta dos unidades de disco duro SATA mediante tarjeta de almacenamiento RAID básica o RAID de alto rendimiento.</p> <p><i>O bien</i></p> <p>Se admiten hasta dos unidades de disco duro sólido (SSD) mediante tarjeta de almacenamiento sin RAID.</p> <p><i>O bien</i></p> <p>Se admiten hasta dos unidades de disco duro SAS mediante tarjeta de almacenamiento RAID básica o RAID de alto rendimiento.</p> <p>NOTA: Para todos los sistemas modulares, las unidades de disco duro SAS y SATA no se pueden combinar en un mismo módulo de alta densidad.</p> <p>NOTA: Si hay instalada una tarjeta controladora RAID opcional, se admite el acoplamiento activo.</p> |

Conectores

Externos

USB

PowerEdge M915, M910, M905, M805 y M710

Tres de 4 patas compatibles con USB 2.0

PowerEdge M710HD, M610x, M610, M605 y M600

Dos de 4 patas compatibles con USB 2.0

Conectores *(continuación)*

Internos

| | |
|---|---|
| Módulo Secure Digital (SD) interno (PowerEdge M915, M910, M905, M805, M710HD, M710, M610x y M610) | Una ranura para tarjeta de memoria flash opcional con el módulo SD interno |
| Módulo Secure Digital (SD) vFlash interno (PowerEdge M915, M910, M710HD, M710, M610x y M610) | Una ranura para tarjeta de memoria vFlash opcional para utilizarla con el soporte de iDRAC Enterprise |
| Memoria USB (PowerEdge M915, M910, M710HD, M710, M610x y M610) | Un conector para memoria USB interno |

Solución de expansión PCIe

| | |
|-----------------|---|
| PowerEdge M610x | Admite dos tarjetas PCIe estándar de un solo ancho o una de doble ancho de longitud completa. |
|-----------------|---|

Tarjetas intermedias

| | |
|-----------------------|--|
| PowerEdge M915 y M910 | Hasta cuatro ranuras para tarjeta intermedia PCIe Gen 2 x8, que admiten tarjetas intermedias Ethernet Gb, 10 Gb Ethernet, Fibre Channel FC8 o Infiniband de dos puertos. |
| PowerEdge M905 y M805 | Hasta cuatro ranuras para tarjeta intermedia PCIe Gen 1 x8, que admiten tarjetas intermedias Ethernet Gb, 10 Gb Ethernet, Fibre Channel FC8 o FC4, o Infiniband DDR 4x de dos puertos. |
| PowerEdge M710HD | Hasta dos ranuras para tarjeta intermedia PCIe Gen 2 x8, que admiten tarjetas intermedias Ethernet Gb, 10 Gb Ethernet, Fibre Channel FC8 o FC4, o Infiniband DDR 4x de dos y cuatro puertos. |
| PowerEdge M710 | Hasta cuatro ranuras para tarjeta intermedia PCIe Gen 2 (tres x8 y una x4), que admiten tarjetas intermedias Ethernet Gb, 10 Gb Ethernet, Fibre Channel FC8 o FC4, o Infiniband DDR 4x de dos puertos. |

Tarjetas intermedias (continuación)

| | |
|------------------------|---|
| PowerEdge M610x y M610 | Hasta dos ranuras para tarjeta intermedia PCIe Gen 2 x8, que admiten tarjetas intermedias Ethernet Gb, 10 Gb Ethernet, Fibre Channel FC8 o FC4 (sólo M610), o Infiniband DDR 4x de dos puertos. |
| PowerEdge M605 y M600 | Hasta dos ranuras para tarjeta intermedia PCIe x8, que admiten tarjetas intermedias Ethernet Gb, 10 Gb Ethernet, Fibre Channel FC8 o FC4, o Infiniband DDR 4x de dos puertos. |

Controladoras Ethernet integradas

| | |
|---|---|
| PowerEdge M915, M910, M905, M805, M710HD y M710 | Cuatro puertos Ethernet compatibles con TOE e inicio iSCSI a través de dos controladoras Ethernet Broadcom 5709S integradas de dos puertos. |
| PowerEdge M610x y M610 | Dos puertos Ethernet compatibles con TOE e inicio iSCSI a través de una controladora Ethernet Broadcom 5709S integrada de dos puertos. |
| PowerEdge M605 y M600 | Dos puertos Ethernet compatibles con TOE e inicio iSCSI a través de dos controladoras Broadcom 5708S integradas. |

Controladora de vídeo

| | |
|--|---|
| PowerEdge M905, M805, M605 y M600 | Controladora de vídeo ATI RN50. Memoria de vídeo de 32 MB |
| PowerEdge M915, M910, M710HD, M710, M610x y M610 | Controladora de vídeo Matrox G200. Memoria de vídeo de 8 MB |

Características físicas

| | |
|-----------------------------|-------------------------|
| PowerEdge M915 | |
| Altura | 38,5 cm (15,2 pulgadas) |
| Ancho | 5 cm (2 pulgadas) |
| Largo | 48,6 cm (19,2 pulgadas) |
| Peso (configuración máxima) | 12,7 kg (28 libras) |

Características físicas (continuación)

PowerEdge M910

| | |
|-----------------------------|-------------------------|
| Altura | 38,5 cm (15,2 pulgadas) |
| Ancho | 5 cm (2 pulgadas) |
| Largo | 48,6 cm (19,2 pulgadas) |
| Peso (configuración máxima) | 13,1 kg (29 libras) |

PowerEdge M905, M805, M710 y M610x

| | |
|-----------------------------|-------------------------|
| Altura | 38,5 cm (15,2 pulgadas) |
| Ancho | 5 cm (2 pulgadas) |
| Largo | 48,6 cm (19,2 pulgadas) |
| Peso (configuración máxima) | 11,1 kg (24,5 libras) |

PowerEdge M710HD

| | |
|-----------------------------|-------------------------|
| Altura | 18,9 cm (7,4 pulgadas) |
| Ancho | 5 cm (2 pulgadas) |
| Largo | 48,6 cm (19,2 pulgadas) |
| Peso (configuración máxima) | 7,4 kg (16,3 libras) |

PowerEdge M605 y M600

| | |
|-----------------------------|-------------------------------|
| Altura | 18,9 cm (7,4 pulgadas) |
| Ancho | 5 cm (2 pulgadas) |
| Largo | 48,6 cm (19,2 pulgadas) |
| Peso (configuración máxima) | 5,2–6,4 kg (11,5–14,0 libras) |

Batería

Batería de reserva de NVRAM Batería de tipo botón de litio CR2032 de 3 V

Especificaciones del alojamiento del sistema

Características físicas

| | |
|-----------------------------|-------------------------|
| Altura | 44,0 cm (17,3 pulgadas) |
| Ancho | 44,7 cm (17,6 pulgadas) |
| Largo | 75,5 cm (29,7 pulgadas) |
| Peso (configuración máxima) | 178,3 kg (392,2 libras) |
| Peso (vacío) | 44,6 kg (98,1 libras) |

Módulo de fuente de alimentación

Fuente de alimentación de CA/CC (por cada fuente de alimentación)

| | |
|------------------------------|---|
| Potencia | 2 360 W y 2 700 W |
| Conector | IEC C20 |
| Disipación de calor | 1 205 BTU/h como máximo |
| Corriente de conexión máxima | En condiciones normales de línea y en todo el rango operativo del sistema, la corriente de la conexión puede alcanzar 55 A por cada fuente de alimentación durante 10 ms o menos. |

Requisitos de voltaje del sistema 14,4 A, 200–240 V CA, 50/60 Hz

Módulo iKVM Avocent opcional

Conectores de acceso externo

| | |
|------------|--|
| USB | Dos conectores de 4 patas compatibles con USB 2.0 para teclado y ratón |
| Puerto ACI | RJ-45 |
| Vídeo | VGA de 15 patas |

Módulo de controladora de administración del chasis

Conectores de acceso externo

| | |
|-----------------------|---|
| Administración remota | Dos RJ-45 10/100/1000 Mb dedicados (para una controladora de acceso remoto Ethernet integrada). El puerto Gb se conecta a la red de administración externa. El puerto STK permite la conexión secuencial de módulos CMC de alojamientos adyacentes. |
| Serie | 9 patas, DTE, compatible con el estándar 16550 |
| Vídeo | VGA de 15 patas |
| Batería | Batería de tipo botón litio-ion CR2032 de 3 V |

Panel de control del alojamiento

Conectores de acceso externo

| | |
|-------|--|
| USB | Dos conectores de 4 patas compatibles con USB 2.0 para teclado y ratón |
| Vídeo | VGA de 15 patas |

Panel LCD

| | |
|-----------------|--|
| Características | Cuatro teclas de control del cursor, una tecla de selección y una pantalla LCD |
|-----------------|--|

Especificaciones ambientales

NOTA: Para obtener información adicional sobre medidas ambientales relativas a configuraciones específicas del sistema, consulte dell.com/environmental_datasheets. Este sistema no debe utilizarse en un entorno de oficina.

Temperatura

| | |
|-------------------|--|
| En funcionamiento | De 10 °C a 35 °C (de 50 °F a 95 °F) NOTA: Para altitudes superiores a los 900 m (2955 pies), debe reducirse la temperatura en 1 °C (1,8 °F) cada 300 m (985 pies). |
| Almacenamiento | De -40 °C a 65 °C (de -40 °F a 149 °F) |

Especificaciones ambientales (continuación)

Humedad relativa

| | |
|-------------------|--|
| En funcionamiento | De 20% a 80% (sin condensación) a una temperatura de humedad máxima de 29 °C (84,2 °F) |
| Almacenamiento | De 5% a 95% (sin condensación) a una temperatura de humedad máxima de 38 °C (100,4 °F) |

Vibración máxima

| | |
|-------------------|--|
| En funcionamiento | 0,26 Grms a 10–350 Hz durante 15 minutos |
| Almacenamiento | 1,54 Grms a 10–250 Hz durante 15 minutos |

Impacto máximo

| | |
|-------------------|---|
| En funcionamiento | Un choque en el sentido positivo del eje z (un choque en cada lado del sistema) de 41 G durante un máximo de 2 ms |
| Almacenamiento | Seis choques ejecutados de manera consecutiva en los ejes x, y y z positivos y negativos (un choque en cada lado del sistema) de 71 G durante un máximo de 2 ms |

Altitud

| | |
|-------------------|--|
| En funcionamiento | De –15,2 a 3 048 metros (de –50 a 10 000 pies) |
| Almacenamiento | De –15.2 a 10 600 metros (de –50 a 35 000 pies). |

Nivel de contaminación atmosférica

| | |
|-------|---|
| Clase | G1, según lo definido por ISA-S71.04-1985 |
|-------|---|

Especificaciones del módulo de E/S

Para obtener información sobre los módulos de E/S y los módulos de paso a través que se admiten en su alojamiento, consulte el documento *Sistemas Dell PowerEdge M1000e — Guía de configuración* en support.dell.com/manuals.

Dell PowerEdge
M1000e, M915, M910, M905,
M805, M710HD, M710, M610x,
M610, M605 ve M600

Sisteminizi Kullanmaya Bařlarken



Notlar, Dikkat Edilecek Noktalar ve Uyarılar



NOT: NOT, bilgisayarınızdan daha iyi şekilde yararlanmanıza yardımcı olacak önemli bilgiler verir.



DİKKAT: DİKKAT, yönergelere uyulmadığında donanımın zarar görebileceğini veya veri kaybı olabileceğini belirtir.



UYARI: UYARI, meydana gelebilecek olası maddi hasar, kişisel yaralanma veya ölüm tehlikesi anlamına gelir.

Bu belgedeki bilgiler önceden bildirilmeksizin değiştirilebilir.

© 2010 Dell Inc. Tüm hakları saklıdır.

Dell Inc.'in yazılı izni olmadan bu belgelerin herhangi bir şekilde çoğaltılması kesinlikle yasaktır.

Bu metinde kullanılan ticari markalar: Dell™, DELL logosu ve PowerEdge™ Dell Inc. şirketinin ticari markalarıdır. Citrix™ ve XenServer® Citrix Systems, Inc. şirketinin ve/veya bir veya daha fazla yan kuruluşunun tescilli ticari markaları veya ticari markalarıdır ve ABD Patent ve Ticari Marka Ofisi'nde ve diğer ülkelerde kayıtlı olabilir. Intel® Intel Corporation'ın ABD ve diğer ülkelerdeki tescilli ticari markalarıdır. Microsoft®, Windows®, ve Windows Server® Microsoft Corporation'un ABD ve/veya diğer ülkelerdeki ticari markaları veya tescilli ticari markalarıdır. Red Hat® ve Red Hat Enterprise Linux® Red Hat Inc. şirketinin ABD ve diğer ülkelerdeki tescilli ticari markalarıdır. SUSE® Novell, Inc. şirketinin ABD ve diğer ülkelerdeki tescilli ticari markasıdır. VMware® VMware, Inc. şirketinin ABD ve/veya diğer hükümetlerdeki tescilli ticari markası veya ticari markası ("Markaları")dır. Solaris™ Sun Microsystems, Inc. şirketinin ABD ve diğer ülkelerdeki ticari markasıdır.

Bu yayında, marka ve adların sahiplerine ya da ürünlerine atıfta bulunmak için başka ticari marka ve ticari adlar kullanılabilir. Dell Inc. kendine ait olanların dışındaki ticari markalar ve ticari isimlerle ilgili hiçbir mülkiyet hakkı olmadığını beyan eder.

Model BMX01, HHB Serisi, FHB Serisi

Aralık 2010 P/N YCFM1 Rev. A00

Kurulum ve Yapılandırma

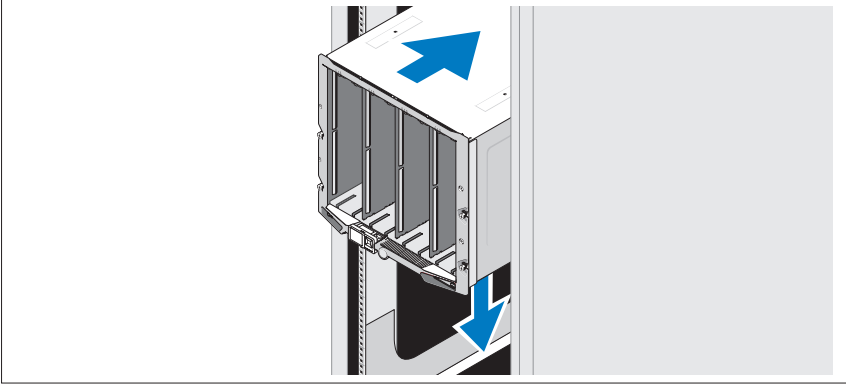
⚠ UYARI: İzleyen işlemleri uygulamadan önce sistemle birlikte gelen güvenlik yönergelerini okuyun.

Bu bölümde, sisteminiz ilk kez kurulurken yapmanız gereken işlemler anlatılmaktadır.

Sistemi Paketinden Çıkarma

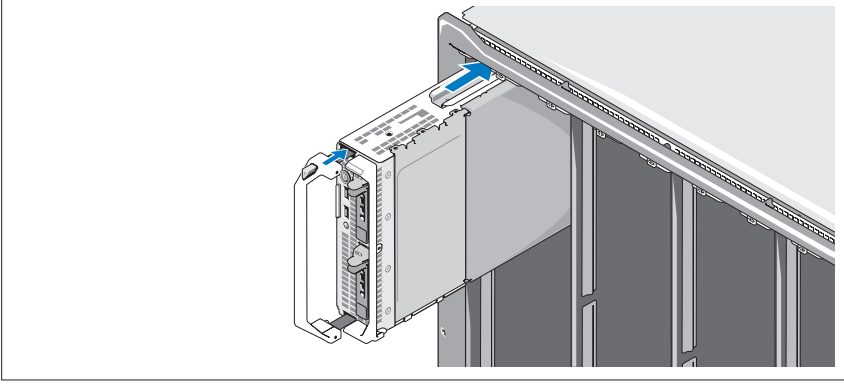
Sisteminizi paketinden çıkarın ve tüm parçaların tamam olup olmadığını kontrol edin.

Rayları ve Sistemi Rafa Monte Etme



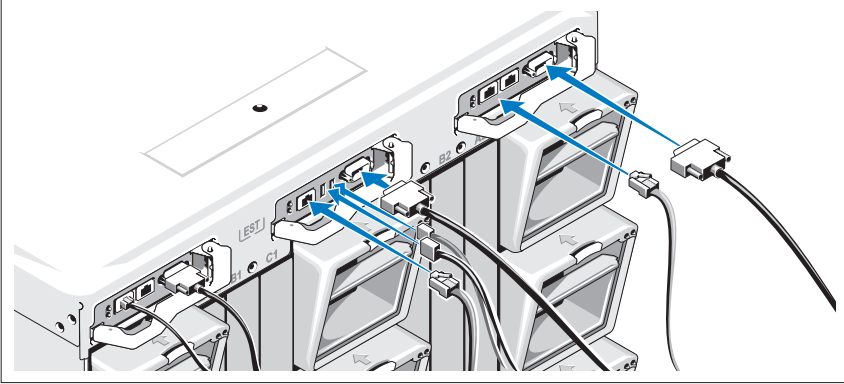
Kasanızla birlikte verilen aşağıdaki güvenlik yönergelerini ve raf montaj yönergelerini izleyerek rayları takın ve sistemi rafa monte edin.

Blade'leri Monte Etme



Üstten başlayarak, modülleri soldan sağa doğru kasanın içine doğru kaydırın. Blade güvenli biçimde monte edildiğinde, kol kapalı konuma geri döner.

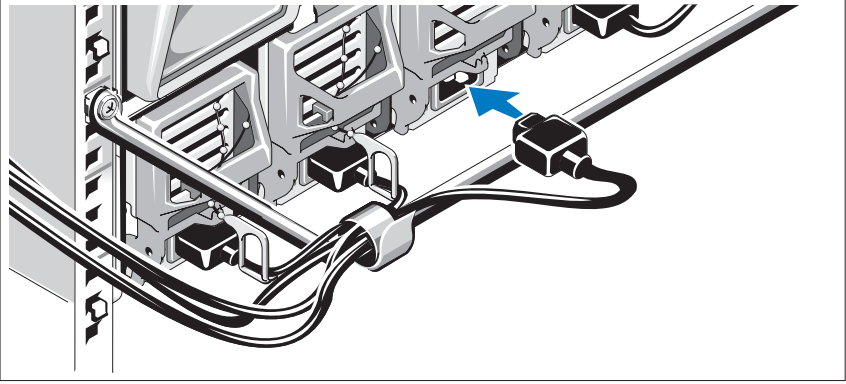
CMC ve KVM Modüllerini Bağlama



Seri kabloyu ve ağ kablolarını yönetim sistemi ile CMC modülünün arasına bağlayın. İkinci, isteğe bağlı bir CMC modülü monte edildiyse, bunu da bağlayın.

Klavye, fare ve monitörü isteğe bağlı iKVM modülüne takın.

Sistemi Güce Bağlama



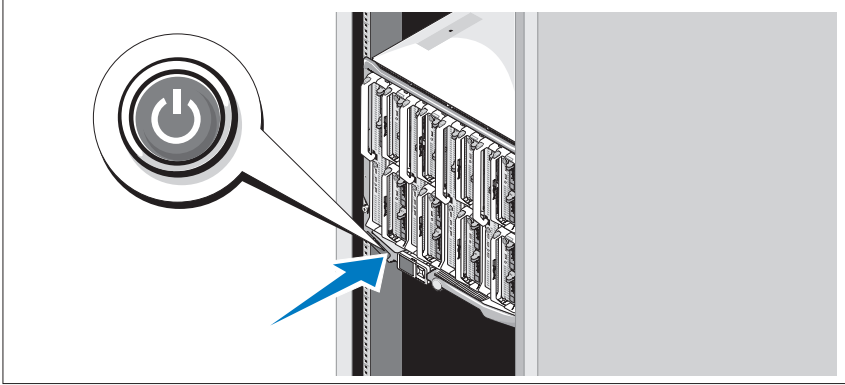
Sistemin güç kablolarını sistemin güç kaynaklarına bağlayın.

△ **DİKKAT:** Güç kablolarının kazayla çıkmasını önlemek için, güç kablosunu güç kaynağına bağlamak üzere her güç kaynağının üzerindeki plastik klipsi , kabloyu gerilme önleyici çubuğa sabitlemek için ise Velcro şeridini kullanın.

Güç kablolarının diğer ucunu güç dağıtım birimine (PDU) takın.

△ **DİKKAT:** Güç kablolarını doğrudan elektrik prizine takmayın; bir PDU kullanmalısınız. Sistemin işlevsel olarak en uygun şekilde çalışması için, minimum üç adet güç kaynağı gereklidir.

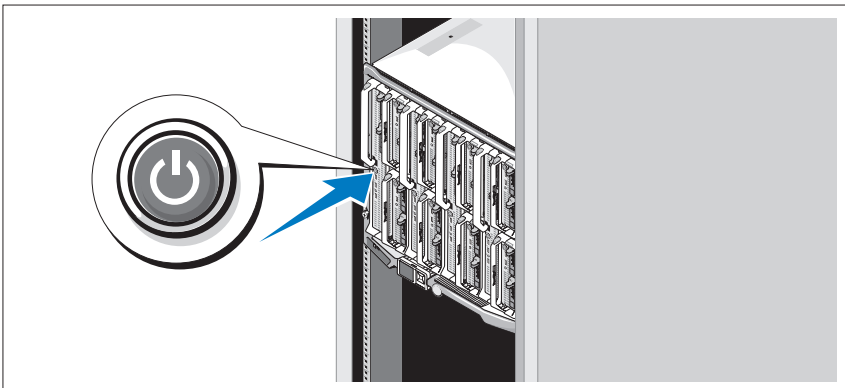
Sistemin Açılması



Kasanın üzerindeki güç düğmesine basın. Güç göstergesi yanmalıdır.

NOT: Sistemi güç kaynaklarına bağladıktan sonra, sisteminizi açmadan önce çok az bir gecikme olabilir.

Blade'leri Açma



Her blade'in üzerindeki güç düğmesine basın veya blade'leri sistem yönetim yazılımını kullanarak açın.

İşletim Sistemi Kurulumunu Tamamlama

Önceden yüklenmiş bir işletim sistemi satın aldıysanız, sisteminizle birlikte gönderilen işletim sistemi belgelerine bakın. İşletim sistemini ilk defa kurmak için, işletim sisteminize ait kurulum ve yapılandırma belgelerine bakın. İşletim sisteminin sistemle birlikte satın alınmamış donanım veya yazılım kurulmadan önce kurulduğundan emin olun.

Desteklenen İşletim Sistemleri

| İşletim Sistemi | M915 | M910 | M905 | M805 | M710 | M710HD | M610 | M610x | M605 |
|---|------|------|------|------|------|--------|------|-------|------|
| Citrix XenServer 5,5 | | | ✓ | ✓ | ✓ | | ✓ | | ✓ |
| Citrix XenServer 5,6 | ✓ | ✓ | ✓ | ✓ | ✓ | ✓ | ✓ | ✓ | ✓ |
| Microsoft Windows Server 2008 Hyper-V Server | ✓ | ✓ | | | | ✓ | | | |
| Microsoft Windows Essential Business Server 2008 Standard ve Premium Edition'ları | | ✓ | | | | ✓ | | ✓ | |
| Microsoft Windows HPC Server 2008 (x64) | ✓ | ✓ | | | | | | ✓ | |
| Microsoft Windows Server 2008 Standard ve Enterprise (x86) Sürümleri | | ✓ | | | ✓ | ✓ | ✓ | ✓ | |
| Microsoft Windows Web Server 2008 (x86) Sürümü | | ✓ | | | ✓ | ✓ | ✓ | | |
| Microsoft Windows Web Server 2008 (x86) Sürümü, SP2 ile | | ✓ | | | | | | | |

| İşletim Sistemi | M915 | M910 | M905 | M805 | M710 | M710HD | M610 | M610x | M605 |
|---|-------------|-------------|-------------|-------------|-------------|---------------|-------------|--------------|-------------|
| Microsoft Windows Server 2008 Standard ve Enterprise (x86) Sürümleri, SP2 ile | | ✓ | | | | ✓ | | ✓ | |
| Microsoft Windows Server 2008 Standard, Enterprise ve Datacenter (x64) Sürümleri | | ✓ | ✓ | ✓ | ✓ | | ✓ | ✓ | |
| Microsoft Windows Web Server 2008 (x64) Sürümü | | ✓ | | | ✓ | | ✓ | ✓ | |
| Microsoft Windows Web Server 2008 (x64) Sürümü, SP2 ile | ✓ | ✓ | | | | ✓ | | ✓ | |
| Microsoft Windows Server 2008 R2 Standart, Enterprise ve Datacenter (x64) Sürümleri | ✓ | ✓ | | | | ✓ | | ✓ | |
| Microsoft Windows Server 2003 Standart ve Enterprise Sürümleri | | | | | | | | | ✓ |
| Microsoft Windows Server 2003 Web Sürümü | | ✓ | | | | | | ✓ | ✓ |
| Microsoft Windows Server 2003 Standard, Enterprise ve Web Sürümleri, SP1 ve üzeri ile | | | | | | | | | ✓ |
| Microsoft Windows Server 2003 R2 Standart ve Enterprise (x86) Sürümleri | | ✓ | ✓ | ✓ | ✓ | | ✓ | ✓ | ✓ |

| İşletim Sistemi | M915 | M910 | M905 | M805 | M710 | M710HD | M610 | M610x | M605 |
|---|------|------|------|------|------|--------|------|-------|------|
| Microsoft Windows Server 2003 Standart ve Enterprise (x64) Sürümleri | | | | | | | | | ✓ |
| Microsoft Windows Server 2003 R2 Standard ve Enterprise (x64) Sürümleri | | | ✓ | ✓ | ✓ | | ✓ | ✓ | ✓ |
| Microsoft Windows Server 2003 R2 Datacenter (x64) Sürümü | | | | | ✓ | | ✓ | ✓ | |
| Microsoft Windows Server 2003 R2 Standard, Enterprise ve Datacenter (x64) Sürümleri SP2 ile | | ✓ | | | | | | | |
| Red Hat Enterprise Linux AS, ES ve WS (sürüm 4,0) Güncelleme 5 (x86) | | | ✓ | ✓ | | | | | ✓ |
| Red Hat Enterprise Linux AS, ES ve WS (sürüm 4,0) Güncelleme 5 (x86_64) | | | ✓ | ✓ | | | | | ✓ |
| Red Hat Enterprise Linux AS ve ES (sürüm 4,7) (x86) | | | | | ✓ | | ✓ | | |
| Red Hat Enterprise Linux AS ve ES (sürüm 4,7) (x86_64) | | | | | ✓ | | ✓ | | |
| Red Hat Enterprise Linux AS ve ES (sürüm 4,8) (x86) | | | | | | ✓ | | ✓ | |

| İşletim Sistemi | M915 | M910 | M905 | M805 | M710 | M710HD | M610 | M610x | M605 |
|--|-------------|-------------|-------------|-------------|-------------|---------------|-------------|--------------|-------------|
| Red Hat Enterprise Linux AS ve ES (sürüm 4.8) (x86_64) | | | | | | ✓ | | ✓ | |
| Red Hat Enterprise Linux (sürüm 5.0) (x86) | | | ✓ | ✓ | | ✓ | | | ✓ |
| Red Hat Enterprise Linux (sürüm 5,0) (x86_64) | | | ✓ | ✓ | ✓ | ✓ | | | ✓ |
| Red Hat Enterprise Linux (sürüm 5,2) (x86) | | | | | ✓ | | | | |
| Red Hat Enterprise Linux (sürüm 5,5) (x86) | ✓ | | | | | ✓ | | ✓ | |
| Red Hat Enterprise Linux (sürüm 5,5) (x86_64) | ✓ | | | | | ✓ | | ✓ | |
| Red Hat Enterprise Linux (sürüm 6,0) (x86_64) | ✓ | | | | | | | | |
| SUSE® Linux Enterprise Server 10 (x86_64) | | | ✓ | ✓ | ✓ | | | | ✓ |
| SUSE Linux Enterprise Server 10 (x86_64) SP3 | ✓ | ✓ | | | | ✓ | | ✓ | |
| SUSE Linux Enterprise Server 11 (x86_64) | ✓ | ✓ | | | | ✓ | | ✓ | |
| Solaris 10 (x86_64) | | ✓ | ✓ | ✓ | ✓ | ✓ | ✓ | | ✓ |
| VMware ESX sürüm 3.0 | | | ✓ | ✓ | ✓ | | ✓ | | |
| VMware ESX sürüm 3.0.2 Güncelleme 1 | | | | | | | | | ✓ |
| VMware ESX sürüm 3.5 | | | ✓ | ✓ | ✓ | | ✓ | | |

| İşletim Sistemi | M915 | M910 | M905 | M805 | M710 | M710HD | M610 | M610x | M605 |
|------------------------------------|------|------|------|------|------|--------|------|-------|------|
| VMware ESX sürüm 4.0 Güncelleme 1 | | ✓ | | | | ✓ | | ✓ | |
| VMware ESXi sürüm 4.0 Güncelleme 1 | | ✓ | | | | ✓ | | ✓ | |
| VMware ESX sürüm 4.0 Güncelleme 2 | ✓ | | | | | | | | |
| VMware ESXi sürüm 4.0 Güncelleme 2 | ✓ | | | | | | | | |
| VMware ESX sürüm 4.1 Güncelleme 1 | ✓ | | | | | | | | |
| VMware ESXi sürüm 4,1 Güncelleme 1 | ✓ | | | | | | | | |

✓—Desteklenen



NOT: Tüm PowerEdge sistemler için desteklenen işletim sistemleri hakkında en son bilgiler için, bkz. dell.com/ossupport.

İhtiyacınız Olabilecek Diğer Bilgiler



UYARI: İzleyen işlemleri uygulamadan önce sistemle birlikte gelen güvenlik yönergelerini okuyun.

- *Yapılandırma Kılavuzu* sistem kasasını ve blade'leri yapılandırma hakkında bilgi sunar.
- *Raf Montaj Yönergeleri* sisteminizin rafa nasıl monte edileceğini açıklayan raf çözümünüze eklenmiştir.
- *Donanım Kullanıcı El Kitabı* sistem özellikleri üzerine bilgiler içermekte ve sistemde sorun giderme, sistem bileşenlerinin yüklenmesi ve değiştirilmesi işlemlerinin nasıl yapılacağını anlatmaktadır.
- Dell sistem yönetimi uygulaması belgeleri sistem yönetimi yazılımını kurma ve kullanma hakkında bilgiler sunar.



NOT: Her zaman support.dell.com/manuals adresindeki güncellemeleri kontrol edin ve genellikle diğer belgelerdekinden daha güncel bilgiler içerdiği için ilk önce güncellemeleri okuyun.

Teknik Yardım Alma

Bu kılavuzdaki bir prosedürü anlamazsanız veya sistem beklediğiniz gibi çalışmazsa, bkz. *Donanım Kullanıcı El Kitabı*. Dell kapsamlı donanım eğitimi ve sertifikasyonu sunar. Daha fazla bilgi için bkz. dell.com/training. Bu hizmet tüm bölgelerde sunulmamaktadır.

Teknik Özellikler

Blade Özellikleri

İşlemci

İşlemci tipi

| | |
|-------------------------------------|---|
| PowerEdge M915 | İki veya dört AMD Opteron 6000 serisi işlemci (sekiz veya oniki çekirdekli işlemci) |
| PowerEdge M910 | İki veya dört Intel Xeon 7000 serisi işlemci (en fazla sekiz çekirdekli işlemci) |
| PowerEdge M905 | Dört adet çift veya dört çekirdekli AMD Opteron 8000 serisi işlemci |
| PowerEdge M805 | İki adet çift veya dört çekirdekli AMD Opteron 2000 serisi işlemci |
| PowerEdge M710HD, M710, M610x, M610 | Bir veya iki adet çift, dört veya altı çekirdekli Intel Xeon 5000 serisi işlemci |
| PowerEdge M605 | Bir veya iki adet çift veya dört çekirdekli AMD Opteron 2000 serisi işlemci |
| PowerEdge M600 | Bir veya iki adet çift veya dört çekirdekli Intel Xeon işlemci |

Bellek

Mimari

| | |
|----------------|--|
| PowerEdge M915 | 1333 MHz DDR3 tek, çift veya dört kademeli kayıtlı LV DIMM'ler (RDIMM'ler) |
| PowerEdge M910 | DDR3 bellek modülleri, 1066 MHz çalışma için sınıflandırılmış |

Bellek (devamı)

| | |
|------------------------------|--|
| PowerEdge M905, M805, M605 | DDR2 bellek modülleri, 677 MHz çalışma için sınıflandırılmış |
| PowerEdge M710HD | DDR3 ve DDR3L tek, çift ve dört kademeli bellek modülleri, 1066 ve 1333 MHz için sınıflandırılmış |
| PowerEdge M710, M610x, M610, | 800, 1066 veya 1333 MHz DDR3 tek veya çift kademeli kayıtlı DIMM'ler (RDIMM'ler) veya arabelleksiz DIMM'ler (UDIMM'ler) veya 800 veya 1066 MHz DDR3 dört kademeli kayıtlı DIMM'ler (RDIMM'ler) veya arabelleksiz DIMM'ler (UDIMM'ler) |
| PowerEdge M600 | FBD bellek modülleri, 677 MHz çalışma için sınıflandırılmış |

Bellek modülü soketleri

| | |
|------------------------|----------------------------|
| PowerEdge M915, M910 | 32 adet 240 pimli soket |
| PowerEdge M905 | 24 adet 240 pimli soket |
| PowerEdge M805 | 16 adet 240 pimli soket |
| PowerEdge M710HD, M710 | 18 adet 240 pimli soket |
| PowerEdge M610x, M610 | 12 adet 240 pimli soket |
| PowerEdge M605, M600 | Sekiz adet 240 pimli soket |

Bellek modülü kapasiteleri

| | |
|-----------------------------|---|
| PowerEdge M915 | 1 GB, 2 GB, 4 GB, 8 GB ve 16 GB LV DIMM'ler |
| PowerEdge M910 | 1 GB, 2 GB, 4 GB, 8 GB ve 16 GB RDIMM'ler |
| PowerEdge M905, M805 | 1 GB, 2 GB, 4 GB ve 8 GB |
| PowerEdge M710HD | 1 GB, 2 GB, 4 GB, 8 GB ve 16 GB RDIMM'ler ve LV DIMM'ler |
| PowerEdge M710, M610x, M610 | 2 GB, 4 GB, 8 GB ve 16 GB RDIMM'ler ve LV DIMM'ler; 1 GB ve 2 GB UDIMM'ler |
| PowerEdge M605, M600 | 512 MB, 1 GB, 2 GB, 4 GB ve 8 GB |

Bellek (devamı)

Minimum RAM

| | |
|--------------------------------|---|
| PowerEdge M915 | 8 GB |
| PowerEdge M910 | 4 GB |
| PowerEdge M905 | 8 GB (Sekiz adet 1 GB bellek modülü) |
| PowerEdge M805 | 4 GB (Dört adet 1 GB bellek modülü) |
| PowerEdge M710D | 4 GB |
| PowerEdge M710, M610x, M610 | Bir adet 1 GB bellek modülü (tek işlemcili sistem) veya iki adet 1 GB bellek modülü (iki işlemcili sistemler) |
| PowerEdge M605, M600 | 1 GB (iki adet 512 MB bellek modülü) |

Maksimum RAM

| | |
|--------------------------|--|
| PowerEdge M915 | 512 GB |
| PowerEdge M910 | 512 GB |
| PowerEdge M905 | 192 GB |
| PowerEdge M805 | 128 GB |
| PowerEdge M710HD | 288 GB |
| PowerEdge M710 | 288 GB (Onsekiz adet 16 GB RDIMM); 36 GB (Onsekiz adet 2 GB UDIMM); |
| PowerEdge M610x, M610 | 192 GB (Oniki adet 16 GB RDIMM); 24 GB (Oniki adet 2 GB UDIMM) |
| PowerEdge M605, M600 | 64 GB |

Sürücüler

Sabit Sürücüler

| | |
|----------------------|---|
| PowerEdge M915, M910 | İki adede kadar 2.5 inç SAS sabit disk sürücü değer RAID'i veya performans RAID'ini depolama kartı üzerinden destek. <i>veya</i> İki adede kadar 2.5 inç SSD sabit disk sürücü değer RAID'i veya performans RAID'ini depolama kartı üzerinden destek. |
|----------------------|---|

Sürücüler (devamı)

| | |
|-----------------------------|--|
| PowerEdge M905, M805 | İki adede kadar 2.5 inç SAS sabit disk sürücü değer RAID'i veya performans RAID'ini depolama kartı üzerinden destek. |
| PowerEdge M710HD | İki adede kadar 2.5 inç SAS sabit disk sürücü PERC H200 tümleşik depolama denetleyici üzerinden destek. <i>veya</i> İki adede kadar 2.5 inç SSD sabit disk sürücü PERC H200 tümleşik depolama denetleyici üzerinden destek. |
| PowerEdge M710 | Dört adede kadar 2.5 inç SAS sabit disk sürücü değer RAID'i veya performans RAID'ini depolama kartı üzerinden destek. |
| PowerEdge M600, M610x, M610 | Bir adet 2.5 inç SATA sabit disk sürücü RAID olmayan, değer RAID'i veya performans RAID'i depolama kartı üzerinden destek. <i>veya</i> İki adet 2.5 inç SATA sabit disk sürücü değer RAID'i veya performans RAID'i depolama kartı üzerinden destek. <i>veya</i> Bir adet katı hal diski (SSD) sabit disk sürücü RAID olmayan depolama kartı üzerinden destek. <i>veya</i> İki adede kadar SAS sabit disk sürücü değer RAID'i veya performans RAID'ini depolama kartı üzerinden destek. |
| PowerEdge M605 | İki adede kadar SATA sabit disk sürücü değer RAID'i veya performans RAID'ini depolama kartı üzerinden destek. <i>veya</i> İki adede kadar katı durum diski (SSD) sabit sürücü RAID olmayan depolama kartı üzerinden destek. <i>veya</i> İki adede kadar SAS sabit disk sürücü değer RAID'i veya performans RAID'ini depolama kartı üzerinden destek. |

NOT: Hiçbir modüler sistemde, SAS ve SATA sabit sürücüler bir blade içerisinde karıştırılamaz.

NOT: İsteğe bağlı bir RAID denetleyici kartı takıldıysa çalışırken takma işlemi desteklenir.

Konnektörler

Harici

USB

PowerEdge M915, M910, Üç adet 4 pimli, USB 2.0 uyumlu
M905, M805, M710

PowerEdge M710HD, İki adet 4 pimli, USB 2.0 uyumlu
M610x, M610, M605,
M600

Dahili

Internal Secure Digital Dahili SD modüle sahip bir adet isteğe bağlı flaş bellek
(Dahili Güvenli Dijital - SD) kartı yuvası
modülü (PowerEdge M915,
M910, M905, M805,
M710HD, M710,
M610x, M610)

Internal Secure Digital iDRAC Enterprise desteği ile kullanım için bir adet
(Dahili Güvenli Dijital - SD) isteğe bağlı vFlash bellek kartı yuvası.
vFlash modülü (PowerEdge
M915, M910, M710HD,
M710, M610x, M610)

USB anahtarı (PowerEdge Bir adet dahili USB bellek konektörü
M915, M910, M710HD,
M710, M610x, M610)

PCIe Genişletme Çözümü

PowerEdge M610x İki adet tek genişlikte veya bir adet çift genişlikte tam
uzunlukta standart PCIe kartını destekler.

Ara Kat Kartı

PowerEdge M915, M910 Dört adede kadar PCIe Gen 2 x8 ara kart yuvası,
destekleyici çift bağlantı noktalı Gb Ethernet, 10 Gb
Ethernet, FC8 Fiber Kanal veya Infiniband ara kartları.

PowerEdge M905, M805 Dört adede kadar PCIe Gen 1 x8 ara kart yuvası,
destekleyici çift bağlantı noktalı Gb Ethernet, 10 Gb
Ethernet, FC8 veya FC4 Fiber Kanal veya 4x DDR
Infiniband ara kart.

Ara Kat Kartı (devamı)

| | |
|-----------------------|---|
| PowerEdge M710HD | İki adede kadar PCIe Gen 2 x8 ara kart yuvası, destekleyici çift bağlantı noktalı ve dört bağlantı noktalı Gb Ethernet, 10 Gb Ethernet, FC8 veya FC4 Fiber Kanal veya 4x DDR Infiniband ara kart. |
| PowerEdge M710 | Dört adede kadar PCIe Gen 2 ara kart yuvası(üç adet x8 ve bir adet x4 hat genişliği), destekleyici çift bağlantı noktalı Gb Ethernet, 10 Gb Ethernet, FC8 veya FC4 Fiber Kanal veya 4x DDR Infiniband ara kart. |
| PowerEdge M610x, M610 | İki adede kadar PCIe Gen 2 x8 ara kart yuvası, destekleyici çift bağlantı noktalı Gb Ethernet, 10 Gb Ethernet, FC8 veya FC4 (sadece M610)Fiber Kanal veya 4x DDR Infiniband ara kart. |
| PowerEdge M605, M600 | İki adede kadar PCIe x8 ara kart yuvası, destekleyici çift bağlantı noktalı Gb Ethernet, 10 Gb Ethernet, FC8 veya FC4 Fiber Kanal veya 4x DDR Infiniband ara kart. |

Tümleşik Ethernet Denetleyiciler

| | |
|--|---|
| PowerEdge M915, M910, M905, M805, M710HD, M710 | İki adet tümleşik çift bağlantı noktalı Geniş Bant 5709S Ethernet denetleyici tarafından sağlanan TOE ve iSCSI önyükleme desteğine sahip dört adet Ethernet bağlantı noktası. |
| PowerEdge M610x, M610 | Bir adet tümleşik çift bağlantı noktalı Geniş Bant 5709S Ethernet denetleyici tarafından sağlanan TOE ve iSCSI önyükleme desteğine sahip iki adet Ethernet bağlantı noktası. |
| PowerEdge M605, M600 | İki adet tümleşik Geniş Bant 5708S denetleyici tarafından sağlanan TOE ve iSCSI önyükleme desteğine sahip iki adet Ethernet bağlantı noktası. |

Görüntü denetleyicisi

| | |
|---|---|
| PowerEdge M905, M805, M605, M600 | ATI RN50 görüntü denetleyicisi. 32 MB video belleği |
| PowerEdge M915, M910, M710HD, M710, M610x, M610 | Matrox G200 görüntü denetleyicisi. 8 MB video belleği |

Fiziksel

PowerEdge M915

| | |
|---------------------------------|--------------------|
| Yükseklik | 38,5 cm (15,2 in) |
| Genişlik | 5 cm (2 inç) |
| Derinlik | 48,6 cm (19,2 inç) |
| Ağırlık (maksimum yapılandırma) | 12,7 kg (28 lb) |

PowerEdge M910

| | |
|---------------------------------|--------------------|
| Yükseklik | 38,5 cm (15,2 in) |
| Genişlik | 5 cm (2 inç) |
| Derinlik | 48,6 cm (19,2 inç) |
| Ağırlık (maksimum yapılandırma) | 13,1 kg (29 lb) |

PowerEdge M905, M805, M710, M610x

| | |
|---------------------------------|--------------------|
| Yükseklik | 38,5 cm (15,2 in) |
| Genişlik | 5 cm (2 inç) |
| Derinlik | 48,6 cm (19,2 inç) |
| Ağırlık (maksimum yapılandırma) | 11,1 kg (24,5 lb) |

PowerEdge M710HD

| | |
|---------------------------------|--------------------|
| Yükseklik | 18,9 cm (7,4 inç) |
| Genişlik | 5 cm (2 inç) |
| Derinlik | 48,6 cm (19,2 inç) |
| Ağırlık (maksimum yapılandırma) | 7,4 kg (16,3 lb) |

PowerEdge M605, M600

| | |
|---------------------------------|---------------------------|
| Yükseklik | 18,9 cm (7,4 inç) |
| Genişlik | 5 cm (2 inç) |
| Derinlik | 48,6 cm (19,2 inç) |
| Ağırlık (maksimum yapılandırma) | 5,2–6,4 kg (11,5–14,0 lb) |

Pil

NVRAM yedek pil

CR 2032 3,0 V lityum düğme pil

Sistem Kasası Özellikleri

Fiziksel

| | |
|---------------------------------|---------------------|
| Yükseklik | 44,0 cm (17,3 inç) |
| Genişlik | 44,7 cm (17,6 inç) |
| Derinlik | 75,5 cm (29,7 inç) |
| Ağırlık (maksimum yapılandırma) | 178,3 kg (392,2 lb) |
| Ağırlık (boş durumda) | 44,6 kg (98,1 lb) |

Güç Kaynağı Modülü

AC/DC güç kaynağı (güç kaynağı başına)

| | |
|-------------------|--|
| Watt Değeri | 2360 W ve 2700 W |
| Konektör | IEC C20 |
| Isı dağıtımı | 1205 BTU/saat. Maksimum |
| Maksimum ani akım | Normal hat koşulları altında ve sistemin ortam çalışma aralığının üzerinde, ani akım 10 ms veya daha kısa bir süre için güç kaynağı başına 55 A'ya ulaşabilir. |

Sistem Voltaj Gereksinimleri 14.4 A, 200–240 VAC, 50/60 Hz

İsteğe Bağlı Avocent iKVM Modülü

Dışarıdan erişilebilir konektörler

| | |
|----------------------|---|
| USB | Klavye ve fare desteği için iki adet 4 pimli, USB 2.0 uyumlu konektör |
| ACI bağlantı noktası | RJ-45 |
| Video | 15 pinli VGA |

Kasa Yönetim Denetleyici Modülü

Dışarıdan erişilebilir konnektörler

| | |
|-----------------|--|
| Uzaktan yönetim | İki adet ayrılmış 10/100/1000 Mb RJ-45 (tümleşik Ethernet uzaktan erişim denetleyicisi için). Gb bağlantı noktası harici yönetim ağına bağlanır. STK bağlantı noktası CMC'lerin birbirlerine bağlanabilmeleri için bitişik kasalarda olmasını sağlar. |
| Seri | 9 pinli, DTE, 16550 uyumlu |
| Video | 15 pinli VGA |
| Pil | CR 2032 3.0-V lityum iyon düğme pil |

Kasa Denetim Masası

Dışarıdan erişilebilir konnektörler

| | |
|------------|---|
| USB | Klavye ve fare desteği için iki adet 4 pimli, USB 2.0 uyumlu konnektör |
| Video | 15 pinli VGA |
| LCD Paneli | |
| Özellikler | Dört adet imleç denetim tuşu, bir adet seçme tuşu ve bir adet LCD ekran |

Çevre Özellikleri

NOT: Belirli sistem yapılandırmaları için çevre ölçümleri hakkında ek bilgi için, bkz. dell.com/environmental_datasheets. Sistem ofis ortamında kullanım için tasarlanmamıştır.

Sıcaklık

| | |
|----------|---|
| Çalışma | 10°C - 35°C (50°F - 95°F) NOT: Maksimum sıcaklığı 900 m (2955 ft) üzerinde her 300 m (985 ft) için 1 °C (1.8 °F) azaltın. |
| Depolama | -40 °C - 65 °C (-40 °F - 149 °F) |

Çevre Özellikleri (devamı)

Bağıl Nem

| | |
|----------|---|
| Çalışma | %20 - %80 (yoğunlaşmayan) - 29 °C (84.2 °F) maksimum ıslak termometre sıcaklığında |
| Depolama | %5 - %95 (yoğunlaşmayan) - 38 °C (100.4 °F) maksimum ıslak termometre sıcaklığında |

Maksimum titreşim

| | |
|----------|---------------------------------------|
| Çalışma | 15 dk. için 10 Hz–350 Hz'te 0,26 Grms |
| Depolama | 15 dk. için 10 Hz–250 Hz'te 1,54 Grms |

Maksimum sarsıntı

| | |
|----------|--|
| Çalışma | 2 ms'ye kadar 41 G'lik pozitif z ekseninde (sistemin her tarafında tek darbe) tek sarsıntı darbesi |
| Depolama | 2 ms'ye kadar 71 G'lik pozitif ve negatif x, y ve z eksenlerinde (sistemin her tarafında tek darbe) art arda uygulanan altı sarsıntı darbesi |

Yükseklik

| | |
|----------|---|
| Çalışma | –15,2 m - 3.048 m (–50 ft - 10.000 ft) |
| Depolama | –15,2 m - 10.600 m (–50 ft - 35.000 ft) |

Havadan Geçen Madde Düzeyi

| | |
|-------|---|
| Sınıf | ISA-S71.04-1985 ile tanımlanan biçimde G1 |
|-------|---|

G/Ç Modülü Özellikleri

Kasanızda desteklenen G/Ç modülleri ve geçiş modülleri hakkında bilgi için, **support.dell.com/manuals** adresindeki *Dell PowerEdge M1000e Sistemleri Yapılandırma Kılavuzu*'na bakın.


Dell PowerEdge
,M905 ,M910 ,M915 ,M1000e
,M610x ,M710 ,M710HD ,M805
M600-ו M605 ,M610

תחילת העבודה עם המערכת



דגם FHB Series ,HHB Series ,BMX01

הערות, התראות ואזהרות

 **הערה:** הערה מציינת מידע חשוב שסייע לך לנצל את המחשב בצורה טובה יותר.

 **התראה:** התראה מציינת נזק אפשרי לחומרה או אובדן נתונים בעקבות אי-קיום ההנחיות.

 **אזהרה:** אזהרה מציינת אפשרות לנזק לרכוש, פגיעה גופנית או מוות.

המידע במסמך זה עשוי להשתנות ללא הודעה מוקדמת.
© 2010 Dell Inc. כל הזכויות שמורות.

שעתוק חומרים אלה בכל דרך שהיא, תהא אשר תהא, ללא קבלת רשות בכתב מאת Dell Inc. אסור בהחלט.

סימני מסחר הנוכחים במסמך זה: Dell™, Dell™, הלוגו של DELL ו- PowerEdge™ הם סימני מסחר של Dell Inc. מהחברות הבנות שלה או יותר, וייתכן שהם רשומים במשרד הפטנטים וסימני המסחר בארה"ב ובמדינות אחרות. Intel® הוא סימן מסחר רשום של Intel Corporation בארה"ב ובארצות אחרות. Microsoft®, Windows® ו- Windows Server® הם סימני מסחר או סימני מסחר רשומים של Microsoft Corporation בארה"ב ו/או במדינות אחרות. Red Hat® ו- Red Hat Enterprise Linux® הם סימני מסחר רשומים של Red Hat, Inc. בארצות הברית ובמדינות אחרות. SUSE® הוא סימן מסחר רשום של Novell, Inc. בארצות הברית ובמדינות אחרות. VMware® הוא סימן מסחר רשום או סימן מסחר ("הסימנים") של VMware, Inc. בארה"ב ו/או במדינות אחרות. Solaris™ הוא סימן מסחר רשום של Sun Microsystems, Inc. בארה"ב ובמדינות אחרות.

סימני מסחר ושמות מסחר אחרים המוזכרים במסמך זה מתייחסים לישויות הטוענות לבעלות על אותם סימנים ושמות או למוצרים שלהן. Dell Inc. מוותרת על כל חלק קנייני בסימנים מסחריים ושמות מסחריים פרט לאלה שבעלותה.

FHB Series ,HHB Series ,BMX01 דגם

דצמבר 2010 מספר חלק YCFM1 מהדורה A00

התקנה וקביעת תצורה

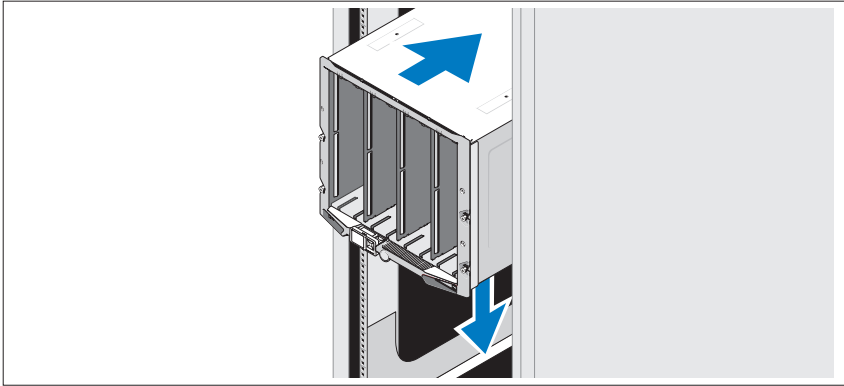
⚠ אזהרה: לפני שתבצע את ההליך הבא, עיין בהוראות הבטיחות המצורפות למערכת.

סעיף זה מתאר את השלבים הדרושים להתקנת המערכת בפעם הראשונה.

הוצאת המערכת מהאריזה

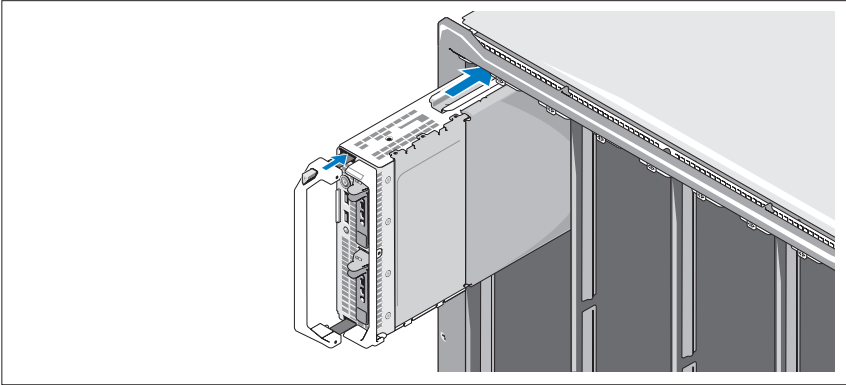
הוצא את המערכת וזהה את כל הפריטים.

התקנת המסילות והמערכת במעמד



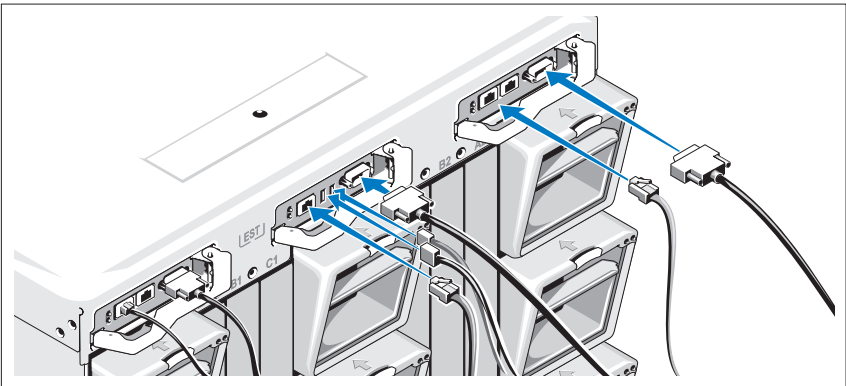
הרכב את המסילות והתקן את המערכת בארון התקשורת בהתאם להנחיות הבטיחות ולהוראות להתקנת ארון התקשורת המצורפות למארז.

התקנת הלהבים



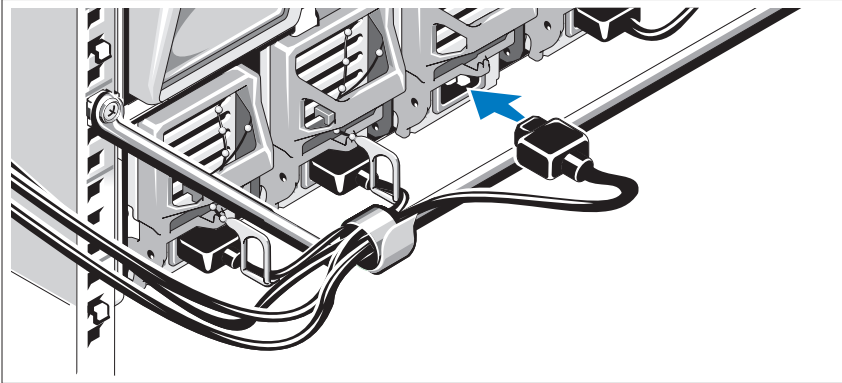
התחל מלמעלה, והחלק את המודולים לתוך המארז משמאל לימין. כשהלהב מותקן היטב, הידית חוזרת למצב הסגור.

חיבור מודולי ה-CMC וה-KVM



חבר את הכבל הטורי ואת כבלי הרשת ממערכת הניהול אל מודול ה-CMC. אם הותקן מודול CMC שני אופציונלי, חבר גם אותו.
חבר את המקלדת, העכבר והצג למודול ה-iKVM האופציונלי.

חיבור המערכת לחשמל



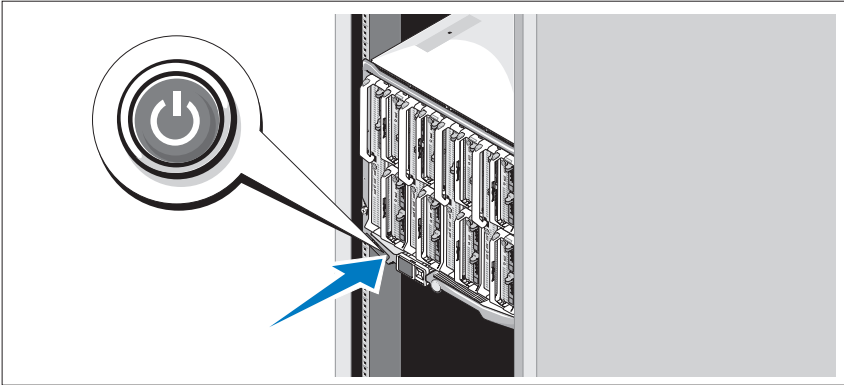
חבר את כבלי החשמל של המערכת לספקי הכוח של המערכת.


⚠ התראה: כדי למנוע ניתוק בשוגג של כבלי החשמל, השתמש בתפס מפלסטיק שעל גבי כל אחד מספקי הכוח כדי להדק את כבל החשמל לספק הכוח, והשתמש ברצועות הצמדן כדי להצמיד את הכבל אל הלולאה להורדת מתח.

חבר את הקצה השני של כבלי החשמל ליחידת חלוקת מתח.

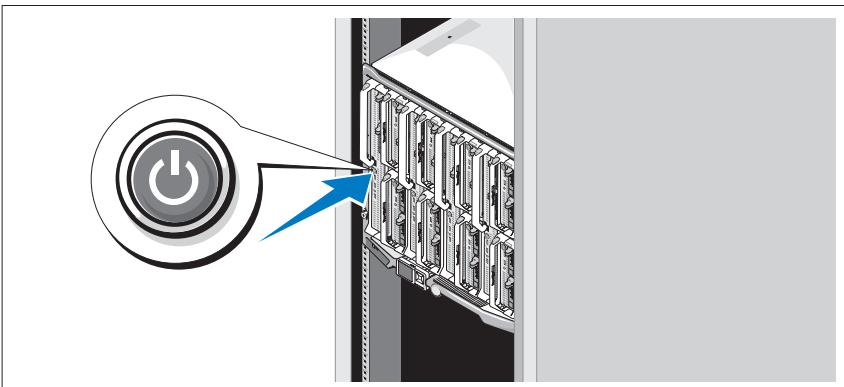
⚠ התראה: אל תחבר את כבלי החשמל ישירות לשקע חשמל – עליך להשתמש ביחידת חלוקת מתח. לתפקוד אופטימלי של המערכת, נדרשים לכל הפחות שלושה ספקי כוח.

הפעלת המערכת



לחץ על לחצן ההפעלה במארז. מחוון המתח אמור להידלק.
הערה: לאחר חיבור המערכת לספקי הכוח, תיתכן שהשיה קלה עד שתוכל להפעיל את המערכת. 

הפעלת הלהבים



לחץ על לחצן המתח בכל הלהבים, או הפעל את הלהבים באמצעות תוכנת ניהול המערכות.

השלמת ההתקנה של מערכת ההפעלה

אם רכשת מערכת הפעלה מותקנת מראש, עיין בתיעוד המצורף למערכת. בהתקנה ראשונה של מערכת הפעלה, עיין בתיעוד ההתקנה והגדרת התצורה של מערכת ההפעלה. ודא שמערכת ההפעלה מותקנת לפני שתתקין רכיבי חומרה ותוכנות שלא נרכשו עם המחשב.

מערכות הפעלה נתמכות

| M605 | M610x | M610 | M710HD | M710 | M805 | M905 | M910 | M915 | מערכת הפעלה |
|------|-------|------|--------|------|------|------|------|------|---|
| ✓ | | ✓ | | ✓ | ✓ | ✓ | | | Citrix XenServer 5.5 |
| ✓ | ✓ | ✓ | ✓ | ✓ | ✓ | ✓ | ✓ | ✓ | Citrix XenServer 5.6 |
| | | | ✓ | | | | ✓ | ✓ | Microsoft Windows Server 2008 Hyper-V Server |
| | ✓ | | ✓ | | | | ✓ | | Microsoft Windows Essential Business Server 2008 Standard/Premium Edition |
| | ✓ | | | | | | ✓ | ✓ | Microsoft Windows HPC Server 2008 (x64) |
| | ✓ | ✓ | ✓ | ✓ | | | ✓ | | Microsoft Windows Server 2008 Standard/Enterprise (x86) Edition |
| | | ✓ | ✓ | ✓ | | | ✓ | | Microsoft Windows Web Server 2008 (x86) Edition |
| | | | | | | | ✓ | | Microsoft Windows Web Server 2008 SP2 עם (x86) Edition |
| | ✓ | | ✓ | | | | ✓ | | Microsoft Windows Server 2008 Standard/Enterprise SP2 עם (x86) Edition |

| M605 | M610x | M610 | M710HD | M710 | M805 | M905 | M910 | M915 | מערכת הפעלה |
|------|-------|------|--------|------|------|------|------|------|---|
| | ✓ | ✓ | | ✓ | ✓ | ✓ | ✓ | | Microsoft Windows Server 2008 Standard/Enterprise/Datacenter (x64) Edition |
| | ✓ | ✓ | | ✓ | | | ✓ | | Microsoft Windows Web Server 2008 (x64) Edition |
| | ✓ | | ✓ | | | | ✓ | ✓ | Microsoft Windows Web Server 2008 SP2 עם (x64) Edition |
| | ✓ | | ✓ | | | | ✓ | ✓ | Microsoft Windows Server 2008 R2 Standard/Enterprise/Datacenter (x64) Edition |
| ✓ | | | | | | | | | Microsoft Windows Server 2003 Standard/Enterprise Edition |
| ✓ | ✓ | | | | | | ✓ | | Microsoft Windows Server 2003 Web Edition |
| ✓ | | | | | | | | | Microsoft Windows Server 2003 Standard/Enterprise/SP1 עם Web Edition ואילך |
| ✓ | ✓ | ✓ | | ✓ | ✓ | ✓ | ✓ | | Microsoft Windows Server 2003 R2 Standard/Enterprise (x86) Edition |
| ✓ | | | | | | | | | Microsoft Windows Server 2003 Standard/Enterprise (x64) Edition |

| M605 | M610x | M610 | M710HD | M710 | M805 | M905 | M910 | M915 | מערכת הפעלה |
|------|-------|------|--------|------|------|------|------|------|--|
| ✓ | ✓ | ✓ | | ✓ | ✓ | ✓ | | | Microsoft Windows Server 2003 R2 Standard/Enterprise (x64) Edition |
| | ✓ | ✓ | | ✓ | | | | | Microsoft Windows Server 2003 R2 Datacenter (x64) Edition |
| | | | | | | | ✓ | | Microsoft Windows Server 2003 R2 Standard/Enterprise/Datacenter (x64) Edition עם SP2 |
| ✓ | | | | | ✓ | ✓ | | | Red Hat Enterprise Linux AS/ES/WS (4.0) Update 5 (x86) |
| ✓ | | | | | ✓ | ✓ | | | Red Hat Enterprise Linux AS/ES/WS (4.0) Update 5 (x86_64) |
| | | ✓ | | ✓ | | | | | Red Hat Enterprise Linux AS/ES (4.7) (x86) |
| | | ✓ | | ✓ | | | | | Red Hat Enterprise Linux AS/ES (4.7) (x86_64) |
| | ✓ | | ✓ | | | | | | Red Hat Enterprise Linux AS/ES (4.8) (x86) |
| | ✓ | | ✓ | | | | | | Red Hat Enterprise Linux AS/ES (4.8) (x86_64) |
| ✓ | | | ✓ | | ✓ | ✓ | | | Red Hat Enterprise Linux (5.0) (x86) |


| M605 | M610x | M610 | M710HD | M710 | M805 | M905 | M910 | M915 | מערכת הפעלה |
|------|-------|------|--------|------|------|------|------|------|--|
| ✓ | | | ✓ | ✓ | ✓ | ✓ | | | Red Hat Enterprise Linux (5.0) (x86_64) |
| | | | | ✓ | | | | | Red Hat Enterprise Linux (5.2) (x86) |
| | ✓ | | ✓ | | | | | ✓ | Red Hat Enterprise Linux (5.5) (x86) |
| | ✓ | | ✓ | | | | | ✓ | Red Hat Enterprise Linux (5.5) (x86_64) |
| | | | | | | | | ✓ | Red Hat Enterprise Linux (6.0) (x86_64) |
| ✓ | | | | ✓ | ✓ | ✓ | | | SUSE Linux Enterprise Server 10 (x86_64) |
| | ✓ | | ✓ | | | | ✓ | ✓ | SUSE Linux Enterprise Server 10 (x86_64) SP3 |
| | ✓ | | ✓ | | | | ✓ | ✓ | SUSE Linux Enterprise Server 11 (x86_64) |
| ✓ | | ✓ | ✓ | ✓ | ✓ | ✓ | ✓ | | Solaris 10 (x86_64) |
| | | ✓ | | ✓ | ✓ | ✓ | | | VMware ESX 3.0 |
| ✓ | | | | | | | | | VMware ESX 3.0.2 Update 1 |
| | | ✓ | | ✓ | ✓ | ✓ | | | VMware ESX 3.5 |
| | ✓ | | ✓ | | | | ✓ | | VMware ESX 4.0 Update 1 |
| | ✓ | | ✓ | | | | ✓ | | VMware ESXi 4.0 Update 1 |
| | | | | | | | | ✓ | VMware ESX 4.0 Update 2 |

| M605 | M610x | M610 | M710HD | M710 | M805 | M905 | M910 | M915 | מערכת הפעלה |
|------|-------|------|--------|------|------|------|------|------|--------------------------|
| | | | | | | | | ✓ | VMware ESXi 4.0 Update 2 |
| | | | | | | | | ✓ | VMware ESX 4.1 Update 1 |
| | | | | | | | | ✓ | VMware ESXi 4.1 Update 1 |


✓ – המערכת נתמכת

הערה: לקבלת מידע עדכני על מערכות הפעלה נתמכות עבור כל מערכות PowerEdge, ראה dell.com/ossupport.

מידע נוסף שעשוי לסייע לך

אזהרה: לפני שתבצע את ההליך הבא, עיין בהוראות הבטיחות המצורפות למערכת. 

- **מדריך קביעת התצורה** מספק מידע על קביעת התצורה של מארז המערכת והלהבים.
- **הוראות להתקנה בארון תקשורת** הנלוות לפתרון ארון התקשורת מתארות כיצד להתקין את המערכת בארון תקשורת.
- **המדריך למשתמש – חומרה** מספק מידע על תכונות המערכת, ומתאר כיצד לפתור בעיות במערכת, ולהתקין או להחליף את רכיבי המערכת.
- התייעוד הנלווה אל יישום ניהול המערכות של Dell מספק מידע על התקנת התוכנה לניהול המערכות ועל השימוש בה.

הערה: הקפד לבדוק בכתובת support.dell.com/manuals אם קיימים עדכונים חדשים ולקרוא אותם תחילה, מאחר שלעתים קרובות יש להם קדימות על פני מידע המופיע במסמכים אחרים. 

קבלת סיוע טכני

אם אינך מבין הליך כלשהו במדריך זה, או אם המערכת אינה פועלת כמצופה, עיין במדריך **למשתמש – חומרה**. חברת Dell מספקת הדרכה והסמכה מקיפות בתחום החומרה. לקבלת מידע נוסף, ראה dell.com/training. ייתכן ששירות זה אינו זמין בכל האזורים.

מפרט טכני

מפרט הלהבים

| מעבד | |
|---|--------------------------------------|
| סוג מעבד | |
| שניים או ארבעה מעבדים מסדרת AMD Opteron 6000 (מעבדים בעלי שמונה או שתים עשרה ליבות) | PowerEdge M915 |
| שניים או ארבעה מעבדים מסדרת Intel Xeon 7000 (עד שמונה מעבדי ליבה) | PowerEdge M910 |
| ארבעה מעבדים מסדרת AMD Opteron 8000 עם ליבה כפולה או ארבע ליבות | PowerEdge M905 |
| שני מעבדים מסדרת AMD Opteron 2000 עם ליבה כפולה או ארבע ליבות | PowerEdge M805 |
| מעבד אחד או שני מעבדים מסדרת Intel Xeon 5000 עם ליבה כפולה, ארבע ליבות, או שש ליבות | PowerEdge M710HD/ M710/M610x/M610 |
| מעבד אחד או שני מעבדים מסדרת AMD Opteron 2000 עם ליבה כפולה או ארבע ליבות | PowerEdge M605 |
| מעבד אחד או שני מעבדים מסדרת Intel Xeon בעלי ליבה כפולה או ארבע ליבות | PowerEdge M600 |

| זיכרון | |
|---|-----------------------------|
| ארכיטקטורה | |
| רכיבי זיכרון LV DIMM מסוג DDR3 (RDIMM) רשום בשורה אחת, שתי שורות או ארבע שורות של 1333 מגה-הרץ | PowerEdge M915 |
| מודולי זיכרון DDR3, להפעלה במהירות של 1066 מגה-הרץ | PowerEdge M910 |
| מודולי זיכרון DDR2, להפעלה במהירות של 677 מגה-הרץ | PowerEdge M905/M805/M605 |
| מודולי זיכרון מסוג DDR3 ו-DDR3L בשורה אחת, שתי שורות וארבע שורות, להפעלה במהירות של 1066 ו-1333 מגה-הרץ | PowerEdge M710HD |

זיכרון (המשך)

| | |
|---|-----------------------------|
| רכיבי זיכרון DIMM מסוג DDR3 (RDIMM) רשום בשורה אחת או שתי שורות או רכיבי DIMM ללא אגירה (UDIMM) של 800, 1066 או 1333 מגה-הרץ או רכיבי זיכרון DIMM מסוג DDR3 (RDIMM) רשום בארבע שורות או רכיבי DIMM ללא אגירה (UDIMM) של 800 או 1066 מגה-הרץ | PowerEdge M710, M610, M610x |
| מודולי זיכרון FBD, להפעלה במהירות של 677 מגה-הרץ | PowerEdge M600 |
| שקעים של מודולי זיכרון | |
| 32 שקעים של 240 פינים | PowerEdge M915/M910 |
| 24 שקעים של 240 פינים | PowerEdge M905 |
| 16 שקעים של 240 פינים | PowerEdge M805 |
| 18 שקעים של 240 פינים | PowerEdge M710HD, M710 |
| 12 שקעים של 240 פינים | PowerEdge M610x/M610 |
| שמונה שקעים של 240 פינים | PowerEdge M605/M600 |
| קיבולות מודולי זיכרון | |
| רכיבי LV DIMM של 1 גייגה-בתים, 2 גייגה-בתים, 4 גייגה-בתים, 8 גייגה-בתים ו-16 גייגה-בתים | PowerEdge M915 |
| רכיבי RDIMM של 1 גייגה-בתים, 2 גייגה-בתים, 4 גייגה-בתים, 8 גייגה-בתים ו-16 גייגה-בתים | PowerEdge M910 |
| 1 גייגה-בתים, 2 גייגה-בתים, 4 גייגה-בתים ו-8 גייגה-בתים | PowerEdge M905/M805 |
| רכיבי RDIMM ורכיבי LV DIMM של 1 גייגה-בתים, 2 גייגה-בתים, 4 גייגה-בתים, 8 גייגה-בתים ו-16 גייגה-בתים | PowerEdge M710HD |
| רכיבי RDIMM ורכיבי LV DIMM של 2 גייגה-בתים, 4 גייגה-בתים, 8 גייגה-בתים ו-16 גייגה-בתים; רכיבי UDIMM של 1 גייגה-בתים ו-2 גייגה-בתים | PowerEdge M710/M610x/M610 |
| 512 מגה-בתים, 1 גייגה-בתים, 2 גייגה-בתים, 4 גייגה-בתים, 8 גייגה-בתים | PowerEdge M605/M600 |

זיכרון (המשך)

| זיכרון RAM מינימלי | |
|--|-------------------------------|
| 8 גייגה-בתים | PowerEdge M915 |
| 4 גייגה-בתים | PowerEdge M910 |
| 8 גייגה-בתים (שמונה מודולי זיכרון של 1 גייגה-בתים) | PowerEdge M905 |
| 4 גייגה-בתים (ארבעה מודולי זיכרון של 1 גייגה-בתים) | PowerEdge M805 |
| 4 גייגה-בתים | PowerEdge M710D |
| מודול זיכרון אחד של 1 גייגה-בתים (מערכת בעלת מעבד אחד) או שני מודולי זיכרון של 1 גייגה-בתים (מערכות בעלות שני מעבדים) | PowerEdge M710/ M610x/M610 |
| 1 גייגה-בתים (שני מודולי זיכרון של 512 מגה-בתים) | PowerEdge M605/M600 |
| זיכרון RAM מקסימלי | |
| 512 גייגה-בתים | PowerEdge M915 |
| 512 גייגה-בתים | PowerEdge M910 |
| 192 גייגה-בתים | PowerEdge M905 |
| 128 גייגה-בתים | PowerEdge M805 |
| 288 גייגה-בתים | PowerEdge M710HD |
| 288 גייגה-בתים (שמונה עשר רכיבי RDIMM של 16 גייגה-בתים); | PowerEdge M710 |
| 36 גייגה-בתים (שמונה עשר רכיבי UDIMM של 2 גייגה-בתים) | |
| 192 גייגה-בתים (שניים עשר רכיבי RDIMM של 16 גייגה-בתים); | PowerEdge M610x M610 |
| 24 גייגה-בתים (שניים עשר רכיבי UDIMM של 2 גייגה-בתים) | |
| 64 גייגה-בתים | PowerEdge M605/M600 |

כוננים

כוננים קשיחים

| | |
|---|-------------------------------|
| עד שני כוננים קשיחים SAS בגודל 2.5 אינץ'; תמיכה באמצעות כרטיס אחסון RAID value או performance RAID. או עד שני כוננים קשיחים SSD בגודל 2.5 אינץ'; תמיכה באמצעות כרטיס אחסון RAID value או performance RAID. | PowerEdge M915/M910 |
| עד שני כוננים קשיחים SAS בגודל 2.5 אינץ'; תמיכה באמצעות כרטיס אחסון RAID value או performance RAID. | PowerEdge M905/M805 |
| עד שני כוננים קשיחים SAS בגודל 2.5 אינץ'; תמיכה באמצעות בקר אחסון מוטבע PERC H200. או עד שני כוננים קשיחים SSD בגודל 2.5 אינץ'; תמיכה באמצעות בקר אחסון מוטבע PERC H200. | PowerEdge M710HD |
| עד ארבעה כוננים קשיחים SAS בגודל 2.5 אינץ'; תמיכה באמצעות כרטיס אחסון RAID value או performance RAID. | PowerEdge M710 |
| כונן קשיח SATA אחד בגודל 2.5 אינץ'; תמיכה באמצעות כרטיס אחסון שאינו RAID, RAID value או performance RAID. או שני כוננים קשיחים SATA בגודל 2.5 אינץ'; תמיכה באמצעות כרטיס אחסון RAID value או performance RAID. או כונן דיסק קשיח אחד מסוג solid-state (SSD); תמיכה באמצעות כרטיס אחסון שאינו RAID. או עד שני כוננים קשיחים SAS; תמיכה באמצעות כרטיס אחסון RAID value או performance RAID. | PowerEdge M600/ M610x/M610 |

כוננים (המשך)

| | |
|---|----------------|
| עד שני כוננים קשיחים SATA ; תמיכה באמצעות כרטיס אחסון value RAID או performance RAID . או עד שני כונני דיסק קשיח מסוג state-solid (SSD) ; תמיכה באמצעות כרטיס אחסון שאינו RAID . או עד שני כוננים קשיחים SAS ; תמיכה באמצעות כרטיס אחסון value RAID או performance RAID . | PowerEdge M605 |
| הערה: בכל המערכות המודולריות, לא ניתן לערבב כוננים קשיחים מסוג SAS ו-SATA בתוך להב. הערה: פעולת כוננים בחיבור חם נתמכת אם הותקן כרטיס בקר RAID אופציונלי. | |

מחברים

חיצוני

USB

| | |
|-----------------------------------|---|
| שלושה בעלי 4 פינים, תואמי USB 2.0 | PowerEdge M915/ M910/M905/M805/ M710 |
| שניים בעלי 4 פינים, תואמי USB 2.0 | PowerEdge M710HD/ ,M610x/M610/M605 M600 |

פנימי

| | |
|---|---|
| חריץ לכרטיס זיכרון הבזק אופציונלי עם מודול ה-SD הפנימי. | מודול (SD) Secure Digital פנימי (PowerEdge M915/ M910/M905/M805/ M710HD/M710/M610x/ M610) |
| חריץ אופציונלי אחד לכרטיס זיכרון vFlash לשימוש עם תמיכת iDRAC Enterprise. | מודול vFlash Secure Digital (SD) פנימי (PowerEdge) M915/M910/M710HD/M71 (0/M610x/M610) |

מחברים (המשך)

מחבר פנימי אחד עבור מפתח USB. PowerEdge) USB מפתח
M915/M910/M710HD/
(M710/M610x/M610

פתרון הרחבה PCIe

תומך בשני כרטיסי PCIe סטנדרטיים באורך מלא ברוחב יחיד PowerEdge M610x
או כרטיס אחד ברוחב כפול.

כרטיסי מזאנין

עד ארבעה חריצים לכרטיסי מזאנין PCIe Gen (2 ברוחב מסלול x8), התומכים בכרטיסי מזאנין PowerEdge M915/M910
Gb Ethernet בעלי יציאה כפולה, 10 Gb Ethernet, Fibre Channel או Infiniband.

עד ארבעה חריצים לכרטיסי מזאנין PCIe Gen 1 (1 ברוחב מסלול x8), התומכים בכרטיסי מזאנין PowerEdge M905/M805
Gb Ethernet בעלי יציאה כפולה, 10 Gb Ethernet, Fibre Channel FC8 או FC4 או מסוג DDR Infiniband.

עד שני חריצים לכרטיסי מזאנין PCIe Gen 2 (ברוחב מסלול x8), התומכים בכרטיסי מזאנין PowerEdge M710HD
Gb Ethernet בעלי יציאה כפולה וארבע יציאות, 10 Gb Ethernet, Fibre Channel FC8 או FC4 או מסוג DDR Infiniband.

עד ארבעה חריצים לכרטיסי מזאנין PCIe Gen 2 (שלושה ברוחב מסלול x8 ואחד x4), התומכים בכרטיסי מזאנין PowerEdge M710
Gb Ethernet בעלי יציאה כפולה, 10 Gb Ethernet, Fibre Channel FC4 או FC8 או DDR Infiniband 4.

עד שני חריצים לכרטיסי מזאנין PCIe Gen 2 (ברוחב מסלול x8), התומכים בכרטיסי מזאנין PowerEdge M610x/M610
Gb Ethernet בעלי יציאה כפולה, 10 Gb Ethernet, Fibre Channel FC8 או FC4 או (M610 בלבד) או 4 מסוג DDR Infiniband.

עד שני חריצים לכרטיסי מזאנין PCIe (ברוחב מסלול x8), התומכים בכרטיסי מזאנין PowerEdge M605/M600
Gb Ethernet בעלי יציאה כפולה, 10 Gb Ethernet, Fibre Channel FC8 או FC4 או מסוג DDR Infiniband.

| בקרי Ethernet מוטבעים | |
|--|---|
| ארבע יציאות Ethernet עם תמיכה ב-TOE ובאתחול iSCSI, המסופקת על ידי שני בקרי Broadcom 5709S Ethernet משולבים בעלי יציאה כפולה. | PowerEdge M915/M910/ M905/M805/M710HD/M710 |
| שתי יציאות Ethernet עם תמיכה ב-TOE ובאתחול iSCSI, המסופקת על ידי בקר Broadcom 5709S Ethernet משולב בעל יציאה כפולה. | PowerEdge M610x/M610 |
| שתי יציאות Ethernet עם תמיכה ב-TOE ובאתחול iSCSI, המסופקות על ידי שני בקרי Broadcom 5708S Ethernet משולבים. | PowerEdge M605/M600 |

| בקר וידאו | |
|---|--|
| בקר וידאו ATI RN50. זיכרון וידאו של 32 מגה-בתים | PowerEdge M905/M805/ M605/M600 |
| בקר וידאו Matrox G200. זיכרון וידאו של 8 מגה-בתים | PowerEdge M915/M910/ M710HD/M710/M610x/M610 |

| מידות פיזיות | |
|---------------------|-----------------------|
| PowerEdge M915 | |
| גובה | 38.5 ס"מ (15.2 אינץ') |
| רוחב | 5 ס"מ (2 אינץ') |
| עומק | 48.6 ס"מ (19.2 אינץ') |
| משקל (תצורה מרבית) | 12.7 ק"ג (28 ליברה) |
| PowerEdge M910 | |
| גובה | 38.5 ס"מ (15.2 אינץ') |
| רוחב | 5 ס"מ (2 אינץ') |
| עומק | 48.6 ס"מ (19.2 אינץ') |
| משקל (תצורה מרבית) | 13.1 ק"ג (29 ליברה) |

מידות פיזיות (המשך)

**PowerEdge M905/M805/
M710/M610x**

| | |
|--------------------|-----------------------|
| גובה | 38.5 ס"מ (15.2 אינץ') |
| רוחב | 5 ס"מ (2 אינץ') |
| עומק | 48.6 ס"מ (19.2 אינץ') |
| משקל (תצורה מרבית) | 11.1 ק"ג (24.5 ליברה) |

PowerEdge M710HD

| | |
|--------------------|-----------------------|
| גובה | 18.9 ס"מ (7.4 אינץ') |
| רוחב | 5 ס"מ (2 אינץ') |
| עומק | 48.6 ס"מ (19.2 אינץ') |
| משקל (תצורה מרבית) | 7.4 ק"ג (16.3 ליברה) |

PowerEdge M605/M600

| | |
|--------------------|-------------------------------|
| גובה | 18.9 ס"מ (7.4 אינץ') |
| רוחב | 5 ס"מ (2 אינץ') |
| עומק | 48.6 ס"מ (19.2 אינץ') |
| משקל (תצורה מרבית) | 6.4-5.2 ק"ג (14.0-11.5 ליברה) |

סוללה

סוללת מטבע ליתיום CR 2032 3.0-V

סוללת גיבוי NVRAM

מפרט מארז המערכת

| מידות פיזיות | |
|--------------------|-------------------------|
| גובה | 44.0 ס"מ (17.3 אינץ') |
| רוחב | 44.7 ס"מ (17.6 אינץ') |
| עומק | 75.5 ס"מ (29.7 אינץ') |
| משקל (תצורה מרבית) | 178.3 ק"ג (392.2 ליברה) |
| משקל (ריק) | 44.6 ק"ג (98.1 ליברה) |

| מודול ספק הכוח | |
|--|--|
| ספק זרם חילופין/זרם ישיר (לכל ספק כוח) | |
| הספק חשמלי | 2360 וואט ו-2700 וואט |
| מחבר | IEC C20 |
| פיזור חום | 1205 BTU לשעה – מקסימלי |
| זרם נכנס מקסימלי | בתנאי קו רגילים ובטווח הפעלה בתנאי סביבה של המערכת כולה, ייתכן שהזרם הנכנס יגיע ל-55 אמפר לכל ספק כוח במשך 10 אלפיות שניה או פחות. |

דרישות מתח חשמלי של המערכת 14.4 אמפר, 200-240 וולט ז"ח, 60/50 הרץ

| מודול iKVM אופציונלי של Avocent | |
|---------------------------------|--|
| מחברים בעלי נגישות חיצונית | |
| USB | שני מחברים בעלי 4 פינים, תואמי USB 2.0, לתמיכה במקלדת ובעכבר |
| יציאת ACI | RJ-45 |
| וידאו | VGA עם 15 פינים |

מודול בקר ניהול מארז

מחברים בעלי נגישות חיצונית

ניהול מרחוק
שתי יציאות RJ-45 ייעודיות של 10/100/1000 מגה-סיביות
(עבור בקר Ethernet משולב לגישה מרחוק). יציאת ה-Gb
מתחברת לרשת הניהול החיצונית. יציאת ה-STK מאפשרת
לחבר בשרשור בקרי CMC במארזים סמוכים.

טורי 9 פינים, DTE, תואם 16550

וידיאו VGA עם 15 פינים

סוללה סוללת מטבע ליתיום איון CR 2032 3.0-V

לוח בקרת מארז

מחברים בעלי נגישות חיצונית

USB שני מחברים בעלי 4 פינים, תואמי USB 2.0, לתמיכה
במקלדת ובעכבר

וידיאו VGA עם 15 פינים

צג LCD

תכונות ארבעה מקשים לשליטה בסמון, מקש בחירה וצג LCD

תנאי סביבה

הערה: למידע נוסף על מידות סביבתיות לגבי תצורות מערכת מסוימות, ראה
www.dell.com/environmental_datasheets. המערכת אינה מיועדת לשימוש
בסביבה משרדית.

טמפרטורה

הפעלה 10 עד 35 מעלות צלזיוס (50 עד 95 מעלות פרנהייט)

הערה: הקטן את הטמפרטורה המרבית
ב-1 מעלת צלזיוס לכל 300 מ' מעל 900 מ'

אחסון -40 עד 65 מעלות צלזיוס (-40 עד 149 מעלות פרנהייט)

תנאי סביבה (המשך)

| | |
|-----------------|---|
| לחות יחסית | |
| הפעלה | 20% עד 80% (ללא עיבוי) בטמפרטורת הגולה הלחה המקסימלית של 29 מעלות צלזיוס (84.2 מעלות פרנהייט) |
| אחסון | 5% עד 95% (ללא עיבוי) בטמפרטורת הגולה הלחה המקסימלית של 38 מעלות צלזיוס (100.4 מעלות פרנהייט) |
| רטט מרבי | |
| הפעלה | 0.26 Grms ב-10-350 הרץ למשך 15 דקות |
| אחסון | 1.54 Grms ב-10-250 הרץ למשך 15 דקות |
| זעזוע מרבי | |
| הפעלה | פעילות זעזוע אחת בציר Z חיובי (פעימה אחת בכל צד של המערכת) בעוצמה של 41 G למשך 2 אלפיות שנייה לכל היותר |
| אחסון | שש פעימות זעזוע המופעלות בזו אחר זו בצירי x, y, z החיוביים והשליליים (פעימה אחת בכל צד של המערכת) בעוצמה של 71 G למשך עד 2 אלפיות שנייה |
| גובה | |
| הפעלה | 15.2 - עד 3048 מטר (50 - עד 10,000 רגל) |
| אחסון | 15.2 - עד 10,600 מטר (50 - עד 35,000 רגל) |
| רמת זיהום אוויר | |
| סיווג | 1 G כמוגדר בתקן ISA-S71.04-1985 |

מפרט מודול הקלט/פלט

למידע על מודולי קלט/פלט ומודולי מעבר במארז שברשותך, עיין במדריך
Dell PowerEdge M1000e Systems Configuration Guide באתר
support.dell.com/manuals.